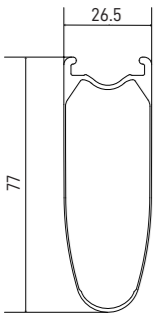

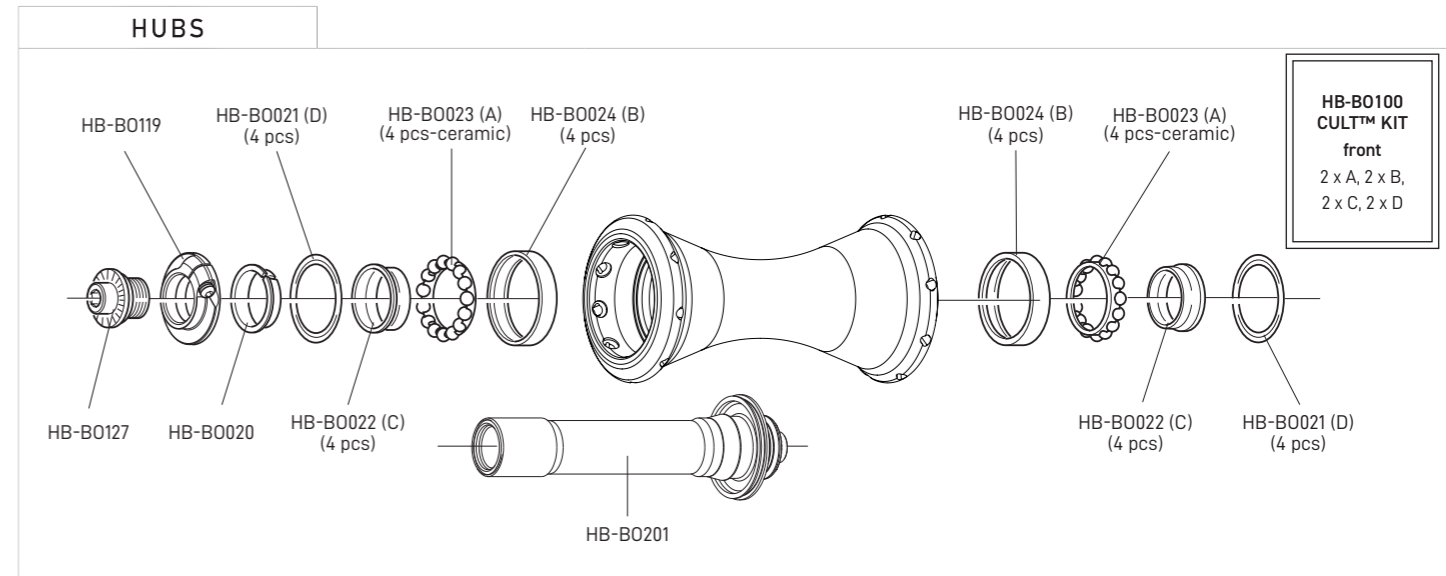
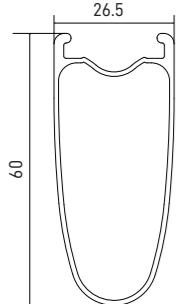



RIM		
	VALVE HOLE	6,5 mm
	VALVE EXTENSION	UT-WH140M (male extension)
	2-WAY FIT™ VALVE	WH-SH101
	VALVE HOLE BUSHING	WH-BUU002 (5 pcs.) 
	DIAMETER	700C (622 x 19C)
BRAKE PADS	for carbon rims - BR-B0500 (for brakes with retention spring or interference fixing) - BR-B0500X1 (for brakes with screw fixing)	

SPOKES		
COMPLETE FRONT SPOKES	WH-01BWT077	4 spokes + 4 nipples
NIPPLES	WH-07BWT045DB	black - 10 pieces
NIPPLE INSERT	UT-WH160	magnet-attractor for nipple
NIPPLE MAGNET	UT-WH050	nipple-guide
SPOKE SPANNER	UT-WH090	spoke wrenches

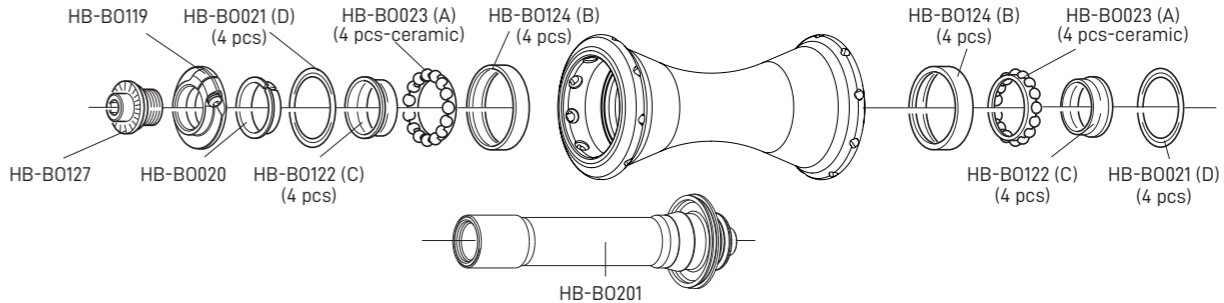
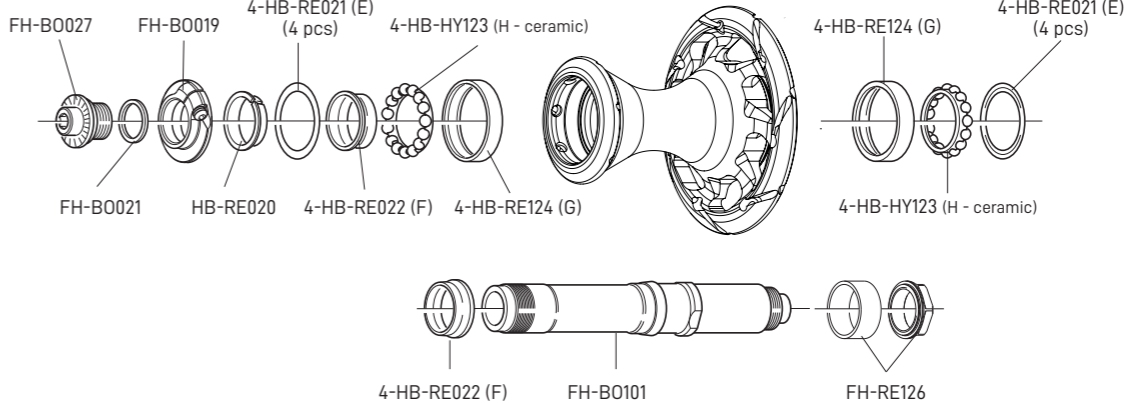


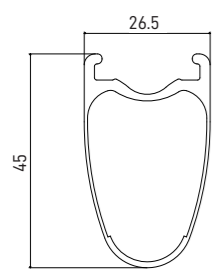

QUICK-RELEASES	QR12-BUUBFR	front + rear
----------------	-------------	--------------

RIM		
	FRONT RIM	WH-03BWTO60 (bright) - WH-05BWTO60 (dark)
	REAR RIM	WH-04BWTO60 (bright) - WH-06BWTO60 (dark)
	VALVE EXTENSION	UT-WH140M (male extension)
	2-WAY FIT VALVE	VA-2WF44
	VALVE HOLE	6,5 mm
	VALVE HOLE BUSHING	WH-BUU002 (5 pcs.) 
	DIAMETER	700C (622 x 19C)
BRAKE PADS	for carbon rims - BR-B0500 (for brakes with retention spring or interference fixing) - BR-B0500X1 (for brakes with screw fixing)	

SPOKES		
FRONT / REAR LH	WH-01BWTO60	4 spokes + 4 nipples
REAR RH	WH-02BWTO60	4 spokes + 4 nipples
NIPPLES	WH-015B080	black - 10 pieces
NIPPLE INSERT	UT-WH160	magnet-attractor for nipple
NIPPLE MAGNET	UT-WH050	nipple-guide
SPOKE SPANNER	UT-WH090	spoke wrenches

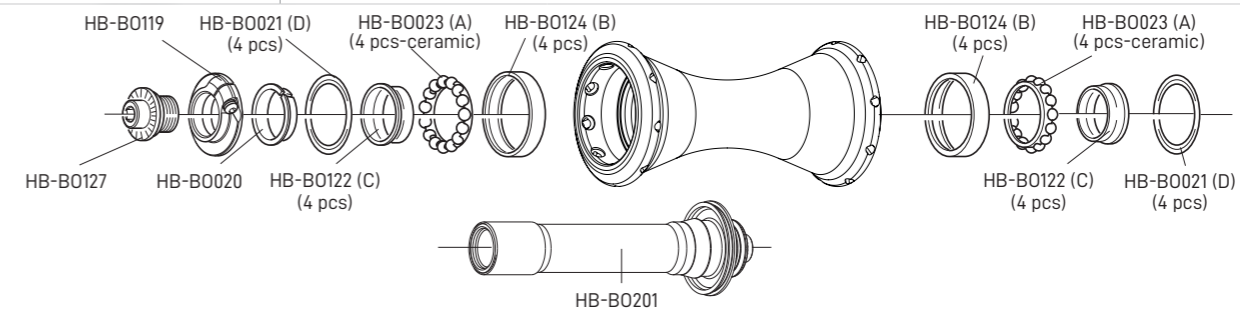
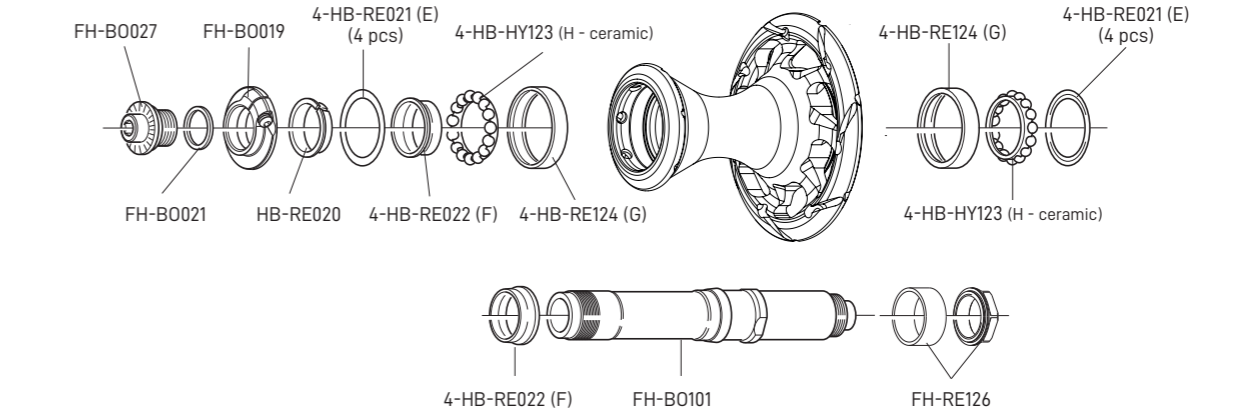
ACCESSORIES		
Spacer for HG11 FW body	FH-BUU001	5 pcs - to be used only with 9/10s sprockets

HUBS		
		
		
QUICK-RELEASES	QR12-BUUBFR	front + rear
Complete FW body / Corpetti RL completi	FH-BUU015 (Campagnolo 9/12) - FH-B0015X1 (HG 9/12) - FH-BU020XDR (XDR V2)	See exploded view pag. 114

RIM		
	FRONT RIM	WH-03BWTO45 (bright) - WH-05BWTO45 (dark)
	REAR RIM	WH-04BWTO45 (bright) - WH-06BWTO45 (dark)
	VALVE EXTENSION	UT-WH130M (male extension)
	2-WAY FIT VALVE	WH-SH101
	VALVE HOLE	6,5 mm
	VALVE HOLE BUSHING	WH-BUU002 (5 pcs.) 
	DIAMETER	700C (622 x 19C)
BRAKE PADS	for carbon rims - BR-B0500 (for brakes with retention spring or interference fixing) - BR-B0500X1 (for brakes with screw fixing)	

SPOKES		
FRONT / REAR LH	WH-01BWTO45	4 spokes + 4 nipples
REAR RH	WH-02BWTO45	4 spokes + 4 nipples
NIPPLES	WH-015B080	black - 10 pieces
NIPPLE INSERT	UT-WH160	magnet-attractor for nipple
NIPPLE MAGNET	UT-WH050	nipple-guide
SPOKE SPANNER	UT-WH090	spoke wrenches

ACCESSORIES		
Spacer for HG11 FW body	FH-BUU001	5 pcs - to be used only with 9/10s sprockets

HUBS		
	<div style="border: 1px solid black; padding: 5px; width: fit-content;"> HB-SH200 USB™ KIT front 2 x A, 2 x B, 2 x C, 2 x D </div>	
		<div style="border: 1px solid black; padding: 5px; width: fit-content;"> HB-SH100 USB™ KIT 2 x E, 2 x F, 2 x G, 2 x H </div>
QUICK-RELEASES	QR12-BUUBFR	front + rear
Complete FW body / Corpetti RL completi	FH-BUU015 (Campagnolo 9/12) - FH-B0015X1 (HG 9/12) - FH-BU020XDR (XDR V2)	See exploded view pag. 114

RIM		
	FRONT RIM	WH-03BWT033 (bright) - WH-05BWT033 (dark)
	REAR RIM	WH-04BWT033 (bright) - WH-06BWT033 (dark)
	2-WAY FIT VALVE	VA-2WF44
	VALVE HOLE	6,5 mm
	VALVE HOLE BUSHING	WH-BUU002 (5 pcs.)
	DIAMETER	700C (622 x 19C)
BRAKE SHOES	for carbon rims - BR-B0500 (for brakes with retention spring or interference fixing) - BR-B0500X1 (for brakes with screw fixing)	

SPOKES		
FRONT / REAR LH L.279	WH-01BWT033	4 spokes + 4 nipples
REAR RH L.278	WH-02BWT033	4 spokes + 4 nipples
NIPPLES	WH-015B080	black - 10 pieces
NIPPLE INSERT	UT-WH160	magnet-attractor for nipple
NIPPLE MAGNET	UT-WH050	nipple-guide
SPOKE SPANNER	UT-WH090	spoke wrenches

ACCESSORIES		
Spacer for HG11 FW body	FH-BUU001	5 pcs - to be used only with 9/10s sprockets

HUBS		
	<p>HB-SH200 USB™ KIT front 2 x A, 2 x B, 2 x C, 2 x D</p>	
	<p>HB-SH100 USB™ KIT 2 x E, 2 x F, 2 x G, 2 x H</p>	
QUICK-RELEASES	QR12-BUUBFR	front + rear
Complete FW body / Corpetti RL completi	FH-BUU015 (Campagnolo 9/12) - FH-B0015X1 (HG 9/12) - FH-BU020XDR (XDR V2)	See exploded view pag. 114

RIM		
	<p>FRONT RIM REAR RIM LABEL KIT VALVE HOLE DIAMETER BRAKE PADS</p>	<p>WH-403ZOB (with labels) WH-504ZOB (with labels) LAB-ZOCB17 (for a pair of front+rear wheels) 6,5 mm 622 X 17C see "brake pads compatibility table" on www.campagnolo.com</p>

SPOKES		
FRONT SPOKE	WH-116ZOC	4 spokes + 4 nipples
REAR RH SPOKE	WH-118ZOC	4 spokes + 4 nipples
REAR LH SPOKE	WH-119ZOC	4 spokes + 4 nipples
NIPPLES	WH-115ZO	50 pieces
NIPPLE INSERT	UT-WH035	magnet-attractor for nipple
NIPPLE MAGNET	UT-WH050	nipple-guide

ACCESSORIES		
Spacer for HG11 FW body	FH-BUU001	5 pcs - to be used only with 9/10s sprockets

HUBS

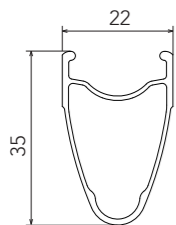
FRONT HUB COMPONENTS: HB-B0119, HB-B0021 (4 pcs), HB-Z0023 (4 pcs), HB-B0124 (4 pcs), HB-B0127, HB-B0020, HB-B0122 (4 pcs), HB-B0201.

REAR HUB COMPONENTS: HB-B0124 (4 pcs), HB-Z0023 (4 pcs), HB-B0122 (4 pcs), HB-B0021 (4 pcs), FH-B0027, HB-EU019, 4-HB-RE021, 4-HB-RE023 (steel), HB-EU025, 4-HB-RE124, 4-HB-RE021, FH-B0021, HB-RE020, 4-HB-RE022, 4-HB-RE124, 5-FH-RE114 (5 pcs.), 4-HB-RE023 (steel).

QUICK-RELEASES: FH-EU026, 4-HB-RE022, FH-B0001, FH-B0014, FH-BUU004 (4 pcs), FH-BUU015 (Campy 9/12), FH-B0014, FH-BUU001 (5 pcs), FH-BUU004 (4 pcs), FH-B0015X1 (HG 9/12), FH-RE126.

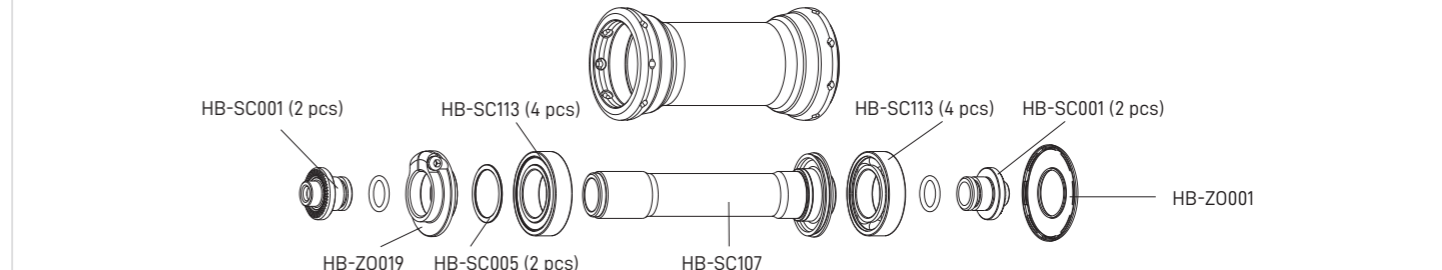
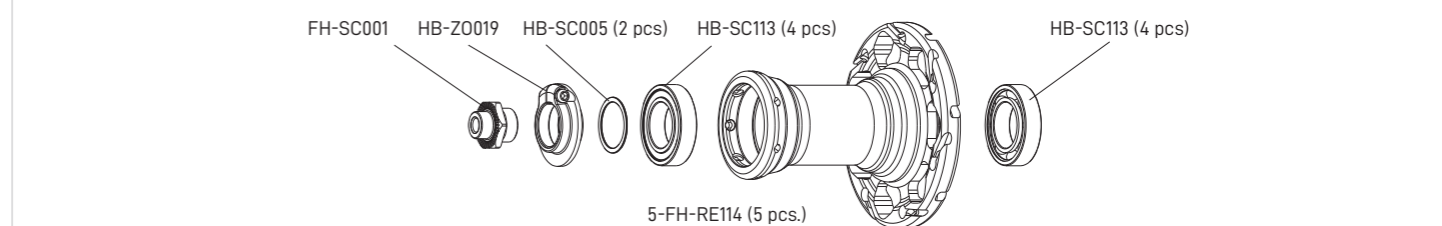
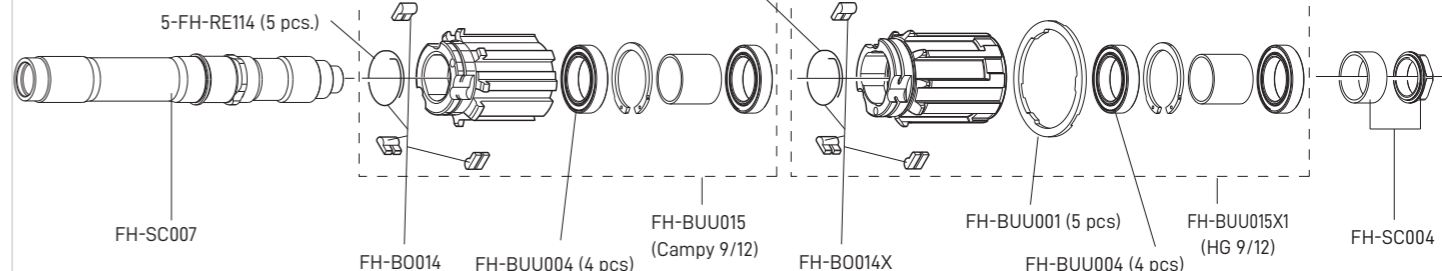
HB-RE100 HUB KIT: 2 x HB-RE021, 2 x HB-RE022, 2 x HB-RE124, 2 x HB-RE023.

QUICK-RELEASES: QR12-ZOBFR front + rear

RIM		
	RIM-TAPE LABEL KIT	WH-RT003 (2 pieces)
	VALVE HOLE DIAMETER	6,5 mm
BRAKE PADS	LAB-SCCB18 (for a pair of front+rear wheels)	see "brake pads compatibility table" on www.campagnolo.com

SPOKES		
FRONT SPOKE	WH-016SCC	4 spokes + 4 nipples
REAR RH SPOKE	WH-018SCC	4 spokes + 4 nipples
REAR LH SPOKE	WH-019SCC	4 spokes + 4 nipples

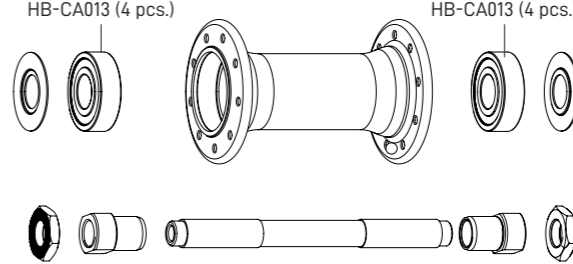
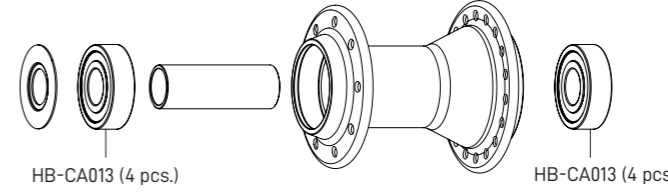
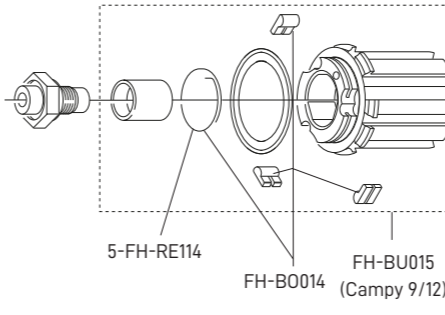
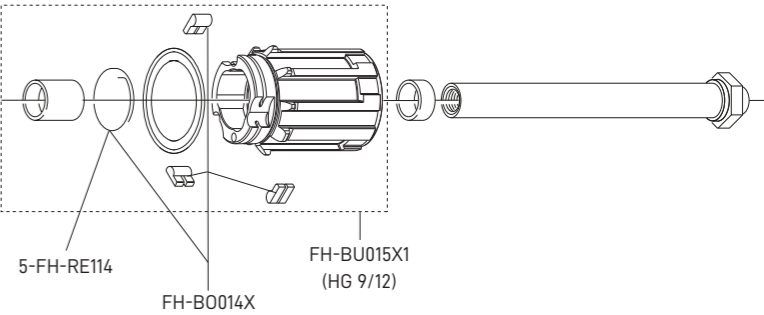
ACCESSORIES		
Spacer for HG11 FW body	FH-BUU001	5 pcs - to be used only with 9/10s sprockets

HUBS		
		
		
		
QUICK-RELEASES	QR12-ZOBFR	front + rear

RIM		
	RIM-TAPE LABEL KIT	WH-RT003 (20.-5 mm - 2 pieces)
	VALVE HOLE DIAMETER	LAB-CAC18 (BLACK - front+rear)
BRAKE PADS	6,5 mm	622 x 17C
		see "brake pads compatibility table" on www.campagnolo.com

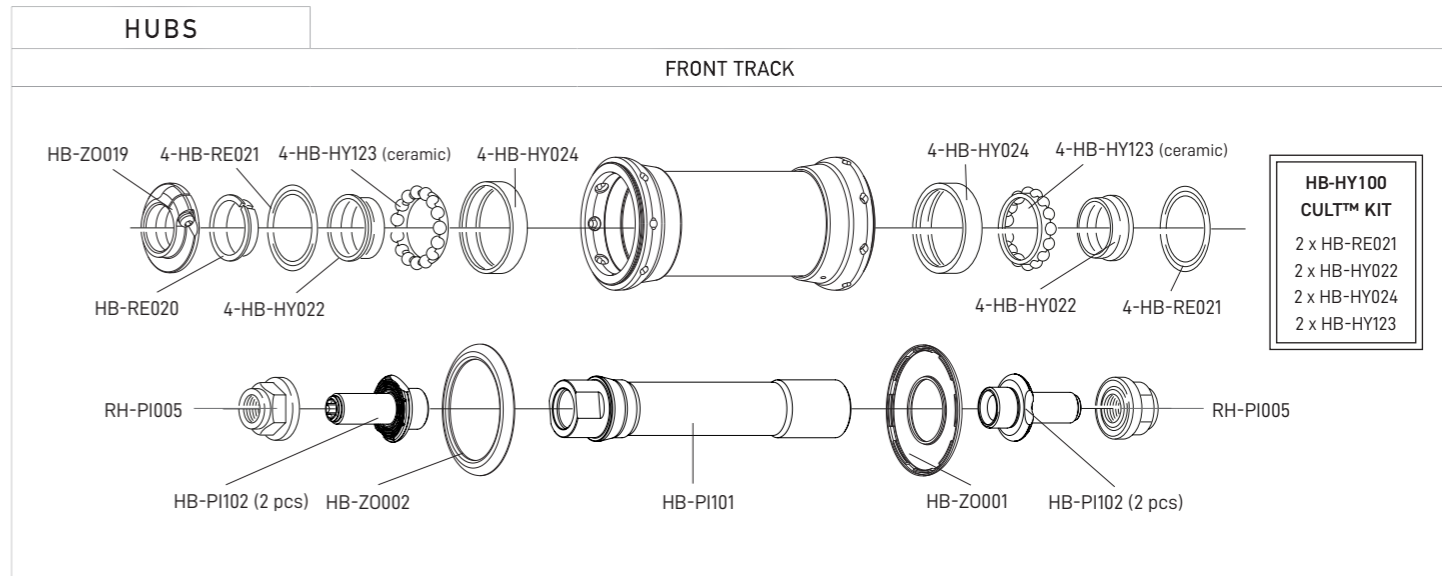
SPOKES		
FRONT SPOKE	WH-016CAC	4 spokes + 4 nipples
REAR RH SPOKE	WH-018CAC	4 spokes + 4 nipples
REAR LH SPOKE	WH-019CAC	4 spokes + 4 nipples
NIPPLES	50-WH-NZO	50 pcs

ACCESSORIES		
Spacer for HG11 FW body	FH-BUU001	5 pcs - to be used only with 9/10s sprockets

HUBS		
	HB-CA013 (4 pcs.)	HB-CA013 (4 pcs.)
	HB-CA013 (4 pcs.)	HB-CA013 (4 pcs.)
	5-FH-RE114	FH-BU015 (Campy 9/12)
	5-FH-RE114	FH-BU015X1 (HG 9/12)
QUICK-RELEASES	QR8-40BFR	front + rear

RIM		
	FRONT RIM	WH-101B080
	VALVE HOLE	6,5 mm
	VALVE EXTENSION	UT-WH160M (male extension) - UT-WH160F (female extension)
	VALVE HOLE BUSHING	WH-BUU002 (5 pcs.) 
	DIAMETER	634 mm

SPOKES		
FRONT SPOKE	WH-016BOT80	4 spokes + 4 nipples
NIPPLES	WH-07BWT045DB	black - 10 pieces
NIPPLE INSERT	UT-WH160	magnet-attractor for nipple
NIPPLE MAGNET	UT-WH050	nipple-guide
SPOKE SPANNER	UT-WH090	spoke wrenches



RIM	
VALVE HOLE STICKERS	WH-100BOTT (5 pcs)
VALVE HOLE BUSHINGS	WH-BUU002
VALVE EXTENSION	UT-WH130M
BRAKE SHOES	for carbon rims - BR-B0500 (for brakes with retention spring or interference fixing) - BR-B0500X1 (for brakes with screw fixing)

ACCESSORIES		
Spacer for HG11 FW body	FH-BUU001	5 pcs - to be used only with 9/10s sprockets

HUBS

QUICK-RELEASES		
	QR12-BUUBFR	front + rear

RIM	
VALVE HOLE STICKERS	WH-100BOTT (5 pcs)
VALVE HOLE BUSHINGS	WH-BUU002 (5 pcs.)
VALVE EXTENSION	UT-WH130M

<p>HB-B0100 CULT™ KIT front</p> <p>2 x HB-B0023</p> <p>2 x HB-B0024</p> <p>2 x HB-B0022</p> <p>2 x HB-B0021</p>
--

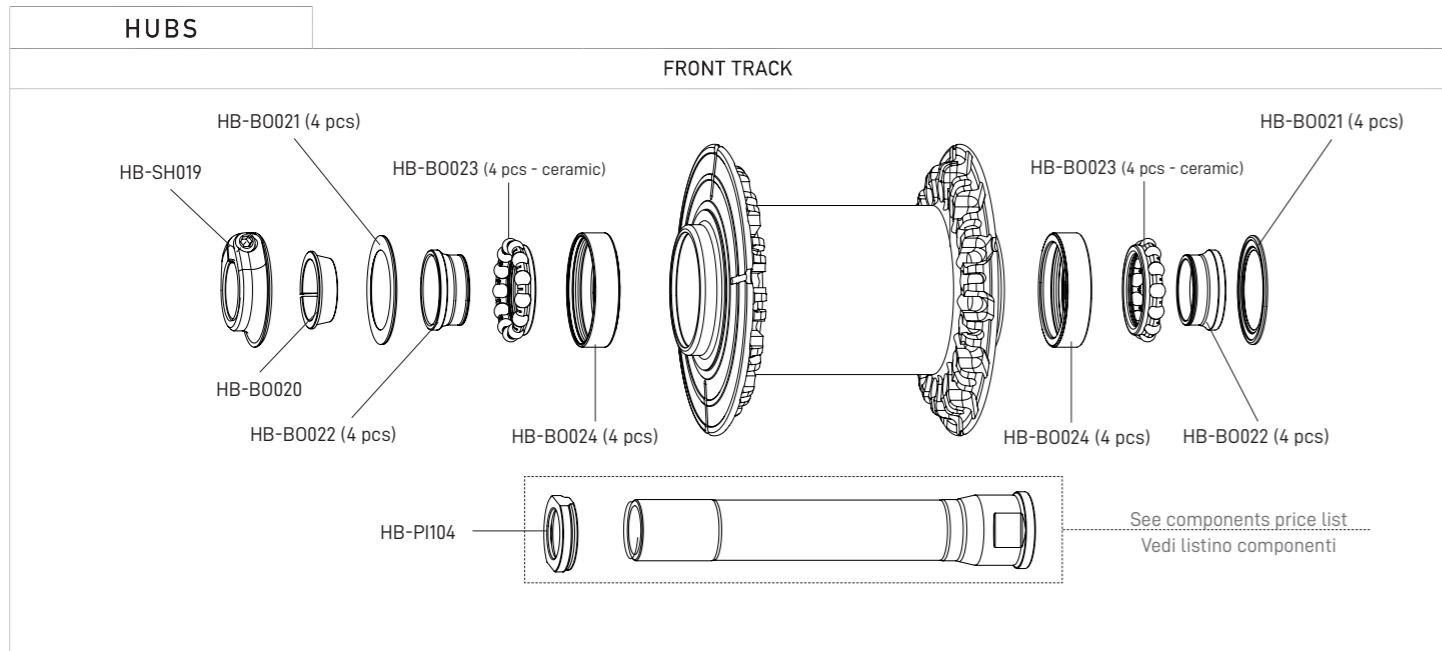
HUBS


FRONT TRACK

REAR TRACK

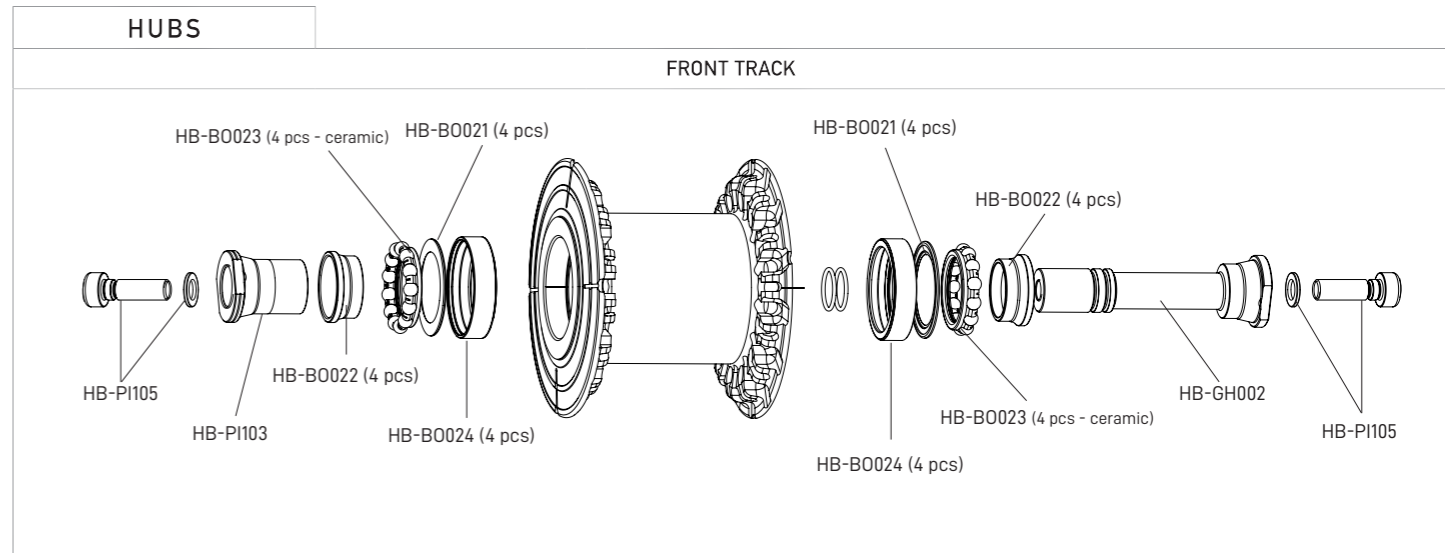
RIM	
VALVE HOLE STICKERS	WH-100BOTT (5 pcs)
VALVE HOLE BUSHINGS	WH-BUU002 (5 pcs.) 
VALVE EXTENSION	UT-WH130M


**HB-B0100
CULT™ KIT
front**
2 x HB-B0023
2 x HB-B0024
2 x HB-B0022
2 x HB-B0021



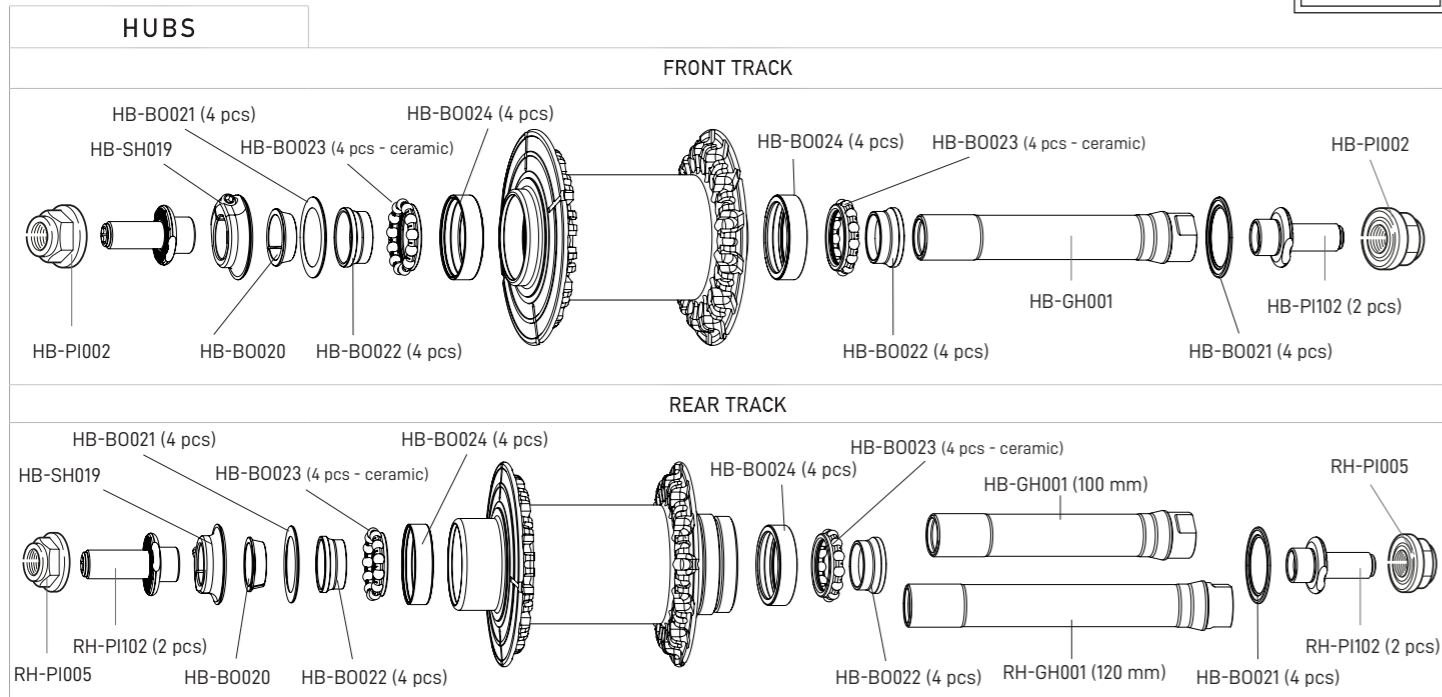
RIM	
VALVE HOLE STICKERS	WH-100BOTT (5 pcs)
VALVE HOLE BUSHINGS	WH-BUU002 (5 pcs.) 
VALVE EXTENSION	UT-WH130M


**HB-B0100
CULT™ KIT
front**
2 x HB-B0023
2 x HB-B0024
2 x HB-B0022
2 x HB-B0021



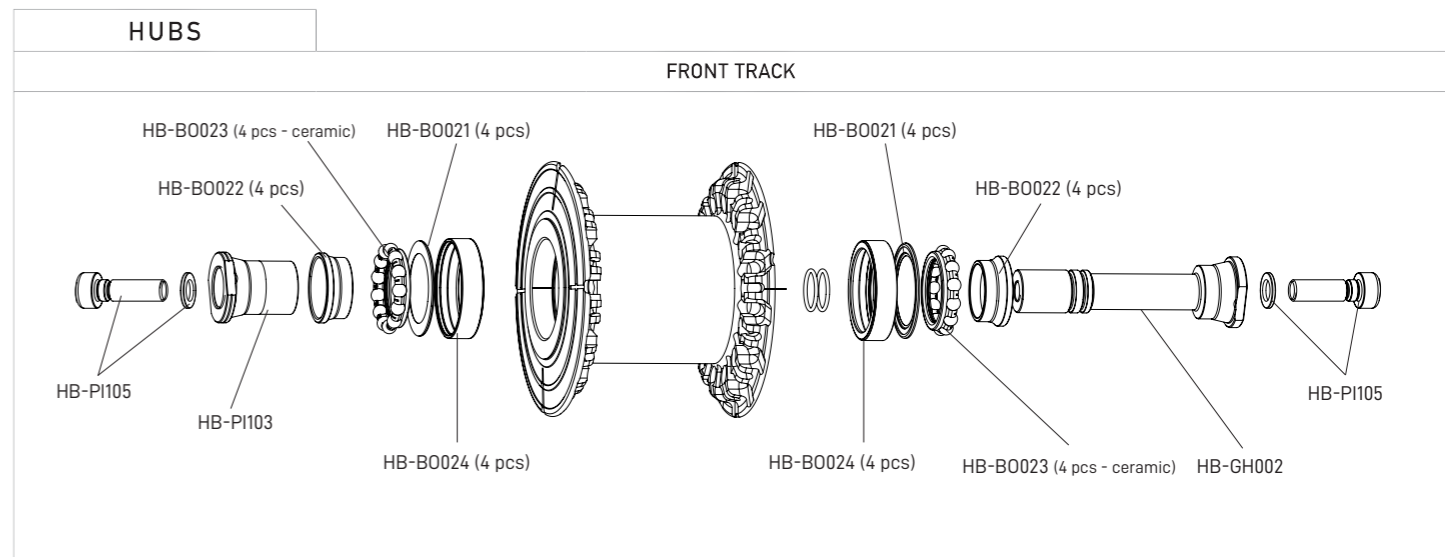
RIM	
VALVE HOLE STICKERS	WH-200BOTT (5 pcs)
VALVE HOLE BUSHINGS	WH-BUU002 (5 pcs.) 
VALVE	VA-2WF51GH (51 mm, 2 pcs)
2WF-TAPE	WH-RT26 (W = 26mm, L = 10m)

HB-B0100 CULT™ KIT front
2 x HB-B0023
2 x HB-B0024
2 x HB-B0022
2 x HB-B0021



RIM	
VALVE HOLE STICKERS	WH-200BOTT (5 pcs)
VALVE HOLE BUSHINGS	WH-BUU002 (5 pcs.) 
VALVE	VA-2WF51GH (51 mm, 2 pcs)
2WF-TAPE	WH-RT26 (W = 26mm, L = 10m)

HB-B0100 CULT™ KIT front
2 x HB-B0023
2 x HB-B0024
2 x HB-B0022
2 x HB-B0021



RIM		
	VALVE HOLE	6,5 mm
	VALVE EXTENSION	UT-WH140M (male extension)
	2-WAY FIT™ VALVE	VA-2WF44
	VALVE HOLE BUSHING	WH-BUU002 (5 pcs.)
	DIAMETER	700C (622 x TC21)

SPOKES		
FRONT RIGHT	WH-01BWU80	4 spokes + 4 nipples
FRONT LEFT/REAR RIGHT	WH-02BWU80	4 spokes + 4 nipples
REAR LEFT	WH-03BWU80	4 spokes + 4 nipples + 4 washers
NIPPLES	WH-05BWU45	10 pieces
NIPPLE INSERT + SPANNER	UT-WH290	magnet-attractor for nipple + wrench
NIPPLE MAGNET	UT-WH050	nipple-guide

ACCESSORIES		
Spacer for HG11 FW body	FH-BUU001	5 pcs - to be used only with 9/10s sprockets
AFS™ lockring	4-M1-101B	to fix the rotor

HUBS	
	<div style="border: 1px solid black; padding: 5px; width: fit-content;"> <p>HB-HY100 CULT™ KIT</p> <p>2 x E, 2 x F, 2 x G, 2 x H</p> </div>
	<div style="border: 1px solid black; padding: 5px; width: fit-content;"> <p>HB-HY100 CULT™ KIT</p> <p>2 x E, 2 x F, 2 x G, 2 x H</p> </div>

Complete FW body Ø 33 mm/ Corpetti RL completi Ø 33 mm FH-HGA33 (HG 9/12) - FH-N3WA33 (Campagnolo N3W) - FH-XDRA33 (XDR) See exploded view pag. 114

RIM		
	FRONT / REAR RIM	WH-01BWU60 (with stickers and nipples)
	VALVE HOLE	6,5 mm
	VALVE EXTENSION	UT-HU150 (male extension)
	2-WAY FIT™ VALVE	VA-2WF44
	VALVE HOLE BUSHING	WH-BUU002 (5 pcs.)
	DIAMETER	700C (622 x TC19)

SPOKES		
FRONT LH/REAR RH	WH-02BWU45	4 spokes + 4 nipples
FRONT RIGHT	WH-02BWU60	4 spokes + 4 nipples
REAR LEFT	WH-03BWU60	4 spokes + 4 nipples
NIPPLES	WH-05BWU45	10 pieces
NIPPLE INSERT + SPANNER	UT-WH290	magnet-attractor for nipple + wrench
NIPPLE MAGNET	UT-WH050	nipple-guide

ACCESSORIES		
Spacer for HG11 FW body	FH-BUU001	5 pcs - to be used only with 9/10s sprockets
AFS™ lockring	4-M1-101B	to fix the rotor

HUBS	
	<div style="border: 1px solid black; padding: 5px; width: fit-content;"> <p>HB-HY100 CULT™ KIT</p> <p>2 x E, 2 x F, 2 x G, 2 x H</p> </div>
	<div style="border: 1px solid black; padding: 5px; width: fit-content;"> <p>HB-HY100 CULT™ KIT</p> <p>2 x E, 2 x F, 2 x G, 2 x H</p> </div>

Complete FW body Ø 33 mm/ Corpetti RL completi Ø 33 mm FH-HGA33 (HG 9/12) - FH-N3WA33 (Campagnolo N3W) - FH-XDRA33 (XDR) See exploded view pag. 114

RIM		
	FRONT / REAR RIM	WH-01BWU45 (with stickers and nipples)
	VALVE HOLE	6,5 mm
	2-WAY FIT™ VALVE L=55	VA-2WF55
	VALVE HOLE BUSHING	WH-BUU002 (5 pcs.)
	DIAMETER	700C (622 x TC19)

SPOKES		
FRONT LH/REAR RH	WH-03BWU45	4 spokes + 4 nipples
FRONT RIGHT	WH-02BWU45	4 spokes + 4 nipples
REAR LEFT	WH-04BWU45	4 spokes + 4 nipples
NIPPLES	WH-05BWU45	10 pieces
NIPPLE INSERT + SPANNER	UT-WH290	magnet-attractor for nipple + wrench
NIPPLE MAGNET	UT-WH050	nipple-guide

ACCESSORIES		
Spacer for HG11 FW body	FH-BUU001	5 pcs - to be used only with 9/10s sprockets
AFS™ lockring	4-M1-101B	to fix the rotor

HUBS	
	<div style="border: 1px solid black; padding: 5px; width: fit-content;"> <p>HB-HY100 CULT™ KIT</p> <p>2 x E, 2 x F, 2 x G, 2 x H</p> </div>
	<div style="border: 1px solid black; padding: 5px; width: fit-content;"> <p>HB-HY100 CULT™ KIT</p> <p>2 x E, 2 x F, 2 x G, 2 x H</p> </div>

Complete FW body Ø 33 mm/ Corpetti RL completi Ø 33 mm

FH-HGA33 (HG 9/12) - FH-N3WA33 (Campagnolo N3W) - FH-XDRA33 (XDR)

See exploded view pag. 114

RIM		
	FRONT / REAR RIM	WH-01BWU33 (with stickers and nipples)
	VALVE HOLE	6,5 mm
	2-WAY FIT™ VALVE L=44	VA-2WF44
	VALVE HOLE BUSHING	WH-BUU002 (5 pcs.)
DIAMETER		700C (622 x TC21)

SPOKES		
FRONT LH/REAR RH	WH-02BWU33	4 spokes + 4 nipples
FRONT RIGHT	WH-03BWU33	4 spokes + 4 nipples
REAR LEFT	WH-04BWU33	4 spokes + 4 nipples
NIPPLES	WH-05BWU45	10 pieces
NIPPLE INSERT + SPANNER	UT-WH290	magnet-attractor for nipple + wrench
NIPPLE MAGNET	UT-WH050	nipple-guide

ACCESSORIES		
Spacer for HG11 FW body	FH-BUU001	5 pcs - to be used only with 9/10s sprockets
AFS™ lockring	4-M1-101B	to fix the rotor

HUBS	
	<div style="border: 1px solid black; padding: 5px; width: fit-content;"> <p>HB-HY100 CULT™ KIT</p> <p>2 x E, 2 x F, 2 x G, 2 x H</p> </div>
	<div style="border: 1px solid black; padding: 5px; width: fit-content;"> <p>HB-HY100 CULT™ KIT</p> <p>2 x E, 2 x F, 2 x G, 2 x H</p> </div>

Complete FW body Ø 33 mm/ Corpetti RL completi Ø 33 mm

FH-HGA33 (HG 9/12) - FH-N3WA33 (Campagnolo N3W) - FH-XDRA33 (XDR)

See exploded view pag. 114

RIM		
	FRONT / REAR RIM	WH-HYDBF (with labels and nipples) / WH-HYDBR (with labels and nipples)
	VALVE HOLE	6,5 mm
	2-WAY FIT™ VALVE	VA-2WF50
	VALVE HOLE BUSHING	WH-BUU002 (5 pcs.)
	DIAMETER	700C (622 x 21C)

SPOKES		
FRONT RIGHT L=281,5	WH-02HUDB	4 spokes + 4 nipples
FRONT LEFT / REAR RIGHT L=283,5	WH-01HUDB	4 spokes + 4 nipples + 4 washers
REAR LEFT L=294,5	WH-03HUDB	4 spokes + 4 nipples
NIPPLES	WH-05BWU45	10 pieces
NIPPLE INSERT + SPANNER	UT-WH290	magnet-attractor for nipple + wrench
NIPPLE MAGNET	UT-WH050	nipple-guide

ACCESSORIES		
Spacer for HG11 FW body	FH-BUU001	5 pcs - to be used only with 9/10s sprockets
AFS™ lockring	4-M1-101B	to fix the rotor

HUBS		
	<div style="border: 1px solid black; padding: 5px; width: fit-content;"> <p>HB-B0100 CULT™ KIT 2 x HB-B0021, 2 x F, 2 x G, 2 x H</p> </div>	<div style="border: 1px solid black; padding: 5px; width: fit-content;"> <p>HB-HY100 CULT™ KIT 2 x HB-RE021, 2 x F, 2 x G, 2 x H</p> </div>
<p>Complete FW body Ø33 mm/ Corpetti RL completi Ø33 mm FH-HGA33USB (HG 9/12) - FH-N3WA33USB (Campagnolo N3W) - FH-XDRA33USB (XDR)</p>	See exploded view pag. 114	

RIM		
	RIM	WH-02BWT060DB (dark)
	VALVE HOLE	6,5 mm
	VALVE EXTENSION	UT-HU150 (male extension)
	2-WAY FIT™ VALVE	VA-2WF44
	VALVE HOLE BUSHING	WH-BUU002 (5 pcs.)
	DIAMETER	700C (622 x TC19)

SPOKES		
FRONT LH / REAR RH L. 265	WH-02BWT045	4 spokes + 4 nipples
FRONT RIGHT L. 250,5	WH-02BWT060	4 spokes + 4 nipples
REAR LEFT L. 274	WH-01BWT060DB	4 spokes + 4 nipples
NIPPLES	WH-07BWT045DB	black - 10 pieces
NIPPLE INSERT	UT-WH160	magnet-attractor for nipple
NIPPLE MAGNET	UT-WH050	nipple-guide
SPOKE SPANNER	UT-WH090	spoke wrenches

ACCESSORIES		
Spacer for HG11 FW body	FH-BUU001	5 pcs - to be used only with 9/10s sprockets
AFS™ locking	4-M1-101B	to fix the rotor

HUBS		
		<div style="border: 1px solid black; padding: 5px;"> HB-SH100 USB™ KIT 2 x E 2 x F 2 x G 2 x H </div>
		<div style="border: 1px solid black; padding: 5px;"> HB-SH100 USB™ KIT 2 x E 2 x F 2 x G 2 x H </div>
Complete FW body / Corpetti RL completi	FH-BUU015 (Campagnolo 9/12) - FH-B0015X1 (HG 9/12) - FH-BU020XDR (XDR)	See exploded view pag. 114
N3W KIT RETROFIT	AC21-N3WR FCC (13s)	For more details see page 121

RIM		
	RIM	WH-03BWT045DB (dark)
	VALVE HOLE	6,5 mm
	VALVE EXTENSION	UT-WH130M (male extension)
	2-WAY FIT™ VALVE	WH-SH101
	VALVE HOLE BUSHING	WH-BUU002 (5 pcs.)
	DIAMETER	700C (622 x TC19)

SPOKES		
FRONT RH L. 265	WH-02BWT045	4 spokes + 4 nipples
FRONT LH / REAR RH L. 280,5	WH-04BWT045DB	4 spokes + 4 nipples
REAR LH L. 261,5	WH-05BWT045DB	4 spokes + 4 nipples
NIPPLES	WH-07BWT045DB	black - 10 pieces
NIPPLE INSERT	UT-WH160	magnet-attractor for nipple
NIPPLE MAGNET	UT-WH050	nipple-guide
SPOKE SPANNER	UT-WH090	spoke wrenches

ACCESSORIES		
Spacer for HG11 FW body	FH-BUU001	5 pcs - to be used only with 9/10s sprockets
AFS™ lockring	4-M1-101B	to fix the rotor

HUBS		
<div style="border: 1px solid black; padding: 5px; width: fit-content;"> HB-SH100 USB™ KIT 2 x E 2 x F 2 x G 2 x H </div>		
<div style="border: 1px solid black; padding: 5px; width: fit-content;"> HB-SH100 USB™ KIT 2 x E 2 x F 2 x G 2 x H </div>		

Complete FW body / Corpetti RL completi	FH-BUU015 (Campagnolo 9/12) - FH-B0015X1 (HG 9/12) - FH-BU020XDR (XDR)	See exploded view pag. 114
N3W KIT RETROFIT	AC21-N3WR FCC (13s)	For more details see page 121

BORA WTO 33 TC19

(D.30 mm FW BODIES, NOT FOR 1140891D/0135893 CODES)

DB AFS - 2-WAY FIT

BORA WTO 33 C19

(D.30 mm FW BODIES, NOT FOR 1140891D/0135893 CODES)

DB AFS - 2-WAY FIT

RIM		
	RIM	WH-04BWT033DB (dark)
	VALVE HOLE	6,5 mm
	2-WAY FIT™ VALVE	VA-2WF44
	VALVE HOLE BUSHING	WH-BUU002 (5 pcs.)
	DIAMETER	700C (622 x TC19)

SPOKES		
FRONT LH/REAR RH L. 292,5	WH-01BWT033DB	4 spokes + 4 nipples
FRONT RH L. 277,5	WH-02BWT033DB	4 spokes + 4 nipples
REAR LH L. 274	WH-03BWT033DB	4 spokes + 4 nipples
NIPPLES	WH-07BWT045DB	black - 10 pieces
NIPPLE INSERT	UT-WH160	magnet-attractor for nipple
NIPPLE MAGNET	UT-WH050	nipple-guide
SPOKE SPANNER	UT-WH090	spoke wrenches

ACCESSORIES		
Spacer for HG11 FW body	FH-BUU001	5 pcs - to be used only with 9/10s sprockets
AFS™ lockring	4-M1-101B	to fix the rotor

HUBS		
<div style="border: 1px solid black; padding: 5px; width: fit-content; float: right;"> HB-SH100 USB™ KIT 2 x E 2 x F 2 x G 2 x H </div>		

<div style="border: 1px solid black; padding: 5px; width: fit-content; float: right;"> HB-SH100 USB™ KIT 2 x E 2 x F 2 x G 2 x H </div>		

Complete FW body / Corpetti RL completi	FH-BUU015 (Campagnolo 9/12) - FH-B0015X1 (HG 9/12) - FH-BU020XDR (XDR)	See exploded view pag. 114
N3W KIT RETROFIT	AC21-N3WRFFC (13s)	For more details see page 121

DISC BRAKE WHEELS

DISC BRAKE WHEELS

RIM		
	RIM	WH-02BWTO60DB (dark)
	VALVE HOLE	6,5 mm
	VALVE EXTENSION	UT-HU150 (male extension)
	2-WAY FIT™ VALVE	VA-2WF44
	VALVE HOLE BUSHING	WH-BUU002 (5 pcs.)
	DIAMETER	700C (622 x TC19)

SPOKES		
FRONT LH L 265 mm	WH-02BWTO45DB	4 spokes + 4 nipples
FRONT RH L 250,5 mm	WH-02BWTO60DB	4 spokes + 4 nipples
REAR RH L 265 mm	WH-02BWTO60DBCW	4 spokes + 4 nipples + 4 washers
REAR LH L 247 mm	WH-01BWTO60DBCW	4 spokes + 4 nipples + 4 washers
NIPPLES	WH-07BWTO45DB	black - 10 pieces
NIPPLE INSERT	UT-WH160	magnet-attractor for nipple
NIPPLE MAGNET	UT-WH050	nipple-guide
SPOKE SPANNER	UT-WH090	spoke wrenches

ACCESSORIES		
Spacer for HG11 FW body	FH-BUU001	5 pcs - to be used only with 9/10s sprockets
AFS™ lockring	4-M1-101B	to fix the rotor

HUBS		
		<div style="border: 1px solid black; padding: 5px;"> HB-SH100 USB™ KIT 2 x E 2 x F 2 x G 2 x H </div>
		<div style="border: 1px solid black; padding: 5px;"> HB-SH100 USB™ KIT 2 x E 2 x F 2 x G 2 x H </div>
Complete FW body Ø 33 mm/ Corpetti RL completi Ø 33 mm	FH-HGA33 (HG 9/12) - FH-N3WA33 (Campagnolo N3W) - FH-XDRA33 (XDR)	See exploded view pag. 114

RIM		
	RIM	WH-03BWT045DB (dark)
	VALVE HOLE	6,5 mm
	VALVE EXTENSION	UT-WH130M (male extension)
	2-WAY FIT™ VALVE	WH-SH101
	VALVE HOLE BUSHING	WH-BUU002 (5 pcs.)
DIAMETER	700C (622 x TC19)	

SPOKES		
FRONT RH L 265 mm	WH-02BWT045	4 spokes + 4 nipples
FRONT LH L 280,5 mm	WH-04BWT045DB	4 spokes + 4 nipples
REAR RH L 280,5 mm	WH-04BWT045DBCW	4 spokes + 4 nipples + 4 washers
REAR LH L 261,5 mm	WH-05BWT045DBCW	4 spokes + 4 nipples + 4 washers
NIPPLES	WH-07BWT045DB	black - 10 pieces
NIPPLE INSERT	UT-WH160	magnet-attractor for nipple
NIPPLE MAGNET	UT-WH050	nipple-guide
SPOKE SPANNER	UT-WH090	spoke wrenches

ACCESSORIES		
Spacer for HG11 FW body	FH-BUU001	5 pcs - to be used only with 9/10s sprockets
AFS™ locking	4-M1-101B	to fix the rotor

HUBS		
<div style="border: 1px solid black; padding: 5px; width: fit-content; float: right;"> HB-SH100 USB™ KIT 2 x E 2 x F 2 x G 2 x H </div>		
<div style="border: 1px solid black; padding: 5px; width: fit-content; float: right;"> HB-SH100 USB™ KIT 2 x E 2 x F 2 x G 2 x H </div>		

Complete FW body Ø 33 mm/ Corpetti RL completi Ø 33 mm FH-HGA33 (HG 9/12) - FH-N3WA33 (Campagnolo N3W) - FH-XDRA33 (XDR) See exploded view pag. 114

RIM		
	RIM	WH-04BWT033DB (dark)
	VALVE HOLE	6,5 mm
	2-WAY FIT™ VALVE	VA-2WF44
	VALVE HOLE BUSHING	WH-BUU002 (5 pcs.)
DIAMETER	700C (622 x TC19)	

SPOKES		
FRONT LH L 292,5 mm	WH-01BWT033DB	4 spokes + 4 nipples
FRONT RH L 277,5 mm	WH-02BWT033DB	4 spokes + 4 nipples
REAR RH L 292,5 mm	WH-01BWT033DBCW	4 spokes + 4 nipples + 4 washers
REAR LH L 274 mm	WH-03BWT033DBCW	4 spokes + 4 nipples + 4 washers
NIPPLES	WH-07BWT045DB	black - 10 pieces
NIPPLE INSERT	UT-WH160	magnet-attractor for nipple
NIPPLE MAGNET	UT-WH050	nipple-guide
SPOKE SPANNER	UT-WH090	spoke wrenches

ACCESSORIES		
Spacer for HG11 FW body	FH-BUU001	5 pcs - to be used only with 9/10s sprockets
AFS™ locking	4-M1-101B	to fix the rotor

HUBS		
<div style="border: 1px solid black; padding: 5px; display: inline-block;"> HB-SH100 USB™ KIT 2 x E 2 x F 2 x G 2 x H </div>		
<div style="border: 1px solid black; padding: 5px; display: inline-block;"> HB-SH100 USB™ KIT 2 x E 2 x F 2 x G 2 x H </div>		
Complete FW body Ø 33 mm/ Corpetti RL completi Ø 33 mm FH-HGA33 (HG 9/12) - FH-N3WA33 (Campagnolo N3W) - FH-XDRA33 (XDR) See exploded view pag. 114		

RIM		
	FRONT / REAR RIM	WH-HYDB01F (with labels) / WH-HYDB01R (with labels)
	VALVE HOLE	6,5 mm
	2-WAY FIT™ VALVE	VA-2WF50
	VALVE HOLE BUSHING	WH-BUU002 (5 pcs.)
	DIAMETER	700C (622 x TC21)

SPOKES		
FRONT RIGHT L=273,5	WH-01HYDB	4 spokes + 4 nipples
FRONT LEFT L=271,5	WH-02HYDB	4 spokes + 4 nipples + 4 washers
REAR RIGHT L=274,5	WH-03HYDB	4 spokes + 4 nipples + 4 washers
REAR LEFT L=285,5	WH-04HYDB	4 spokes + 4 nipples
NIPPLES	WH-04LV	10 pieces
NIPPLE INSERT	UT-WH160	magnet-attractor for nipple
NIPPLE MAGNET	UT-WH050	nipple-guide
SPOKE SPANNER	UT-WH090	spoke wrenches

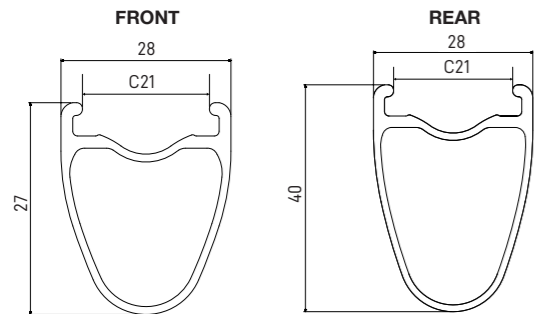
ACCESSORIES		
Spacer for HG11 FW body	FH-BUU001	5 pcs - to be used only with 9/10s sprockets
AFS™ lockring	4-M1-101B	to fix the rotor

HUBS	
	<p>HB-B0122 (4 pcs)</p> <p>HB-Z0023 (4 pcs)</p> <p>HB-B0021 (4 pcs)</p> <p>HB-B0124 (4 pcs)</p> <p>HB-Z0023 (4 pcs)</p> <p>HB-B0124 (4 pcs)</p> <p>HB-B0021 (4 pcs)</p> <p>HB-B0122 (4 pcs)</p> <p>HB-B0020</p> <p>HB-HY2402</p> <p>HB-HY2404</p> <p>HB-HY2401</p> <p>HB-PI104</p>
	<p>HB-HY2406</p> <p>4-HB-RE022</p> <p>4-HB-RE023 (steel)</p> <p>4-HB-RE023 (steel)</p> <p>4-HB-RE022</p> <p>HB-RE020</p> <p>4-HB-RE021</p> <p>4-HB-RE124</p> <p>4-HB-RE124</p> <p>4-HB-RE021</p> <p>HB-RE100 HUB KIT</p> <p>2 x HB-RE021</p> <p>2 x HB-RE022</p> <p>2 x HB-RE124</p> <p>2 x HB-RE023</p> <p>FH-B0010</p> <p>HB-HY2405</p> <p>FH-SHCA01</p>

Complete FW body Ø33 mm/ Corpetti RL completi Ø33 mm FH-HGA33 (HG 9/12) - FH-N3WA33 (Campagnolo N3W) - FH-XDRA33 (XDR)

See exploded view pag. 114

RIM



LABEL KIT	LAB-SHCDB21 (for a pair of front+rear wheels)
VALVE HOLE	7,5 mm
2-WAY FIT™ VALVE	VA-2WF50
DIAMETER	700C (622 x 21C)

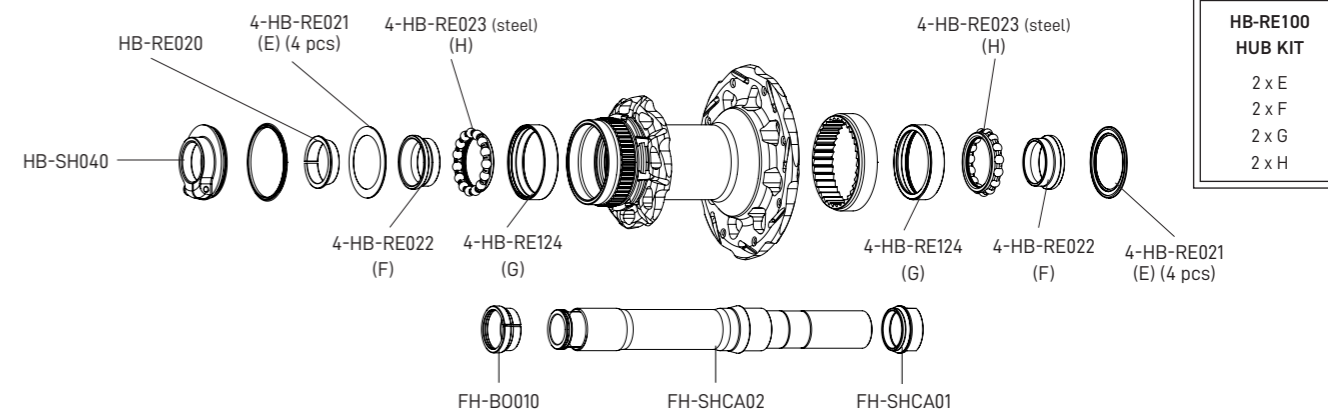
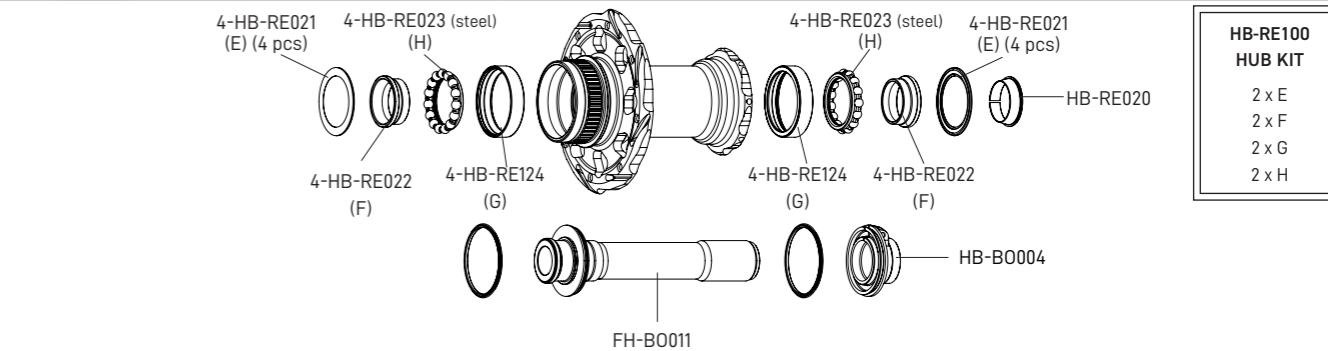
SPOKES

FRONT LH L.281	WH-016SHCDB	4 spokes + 4 nipples
FRONT RH L.275	WH-017SHCDB	4 spokes + 4 nipples
REAR RH L.276	WH-018SHCDB	4 spokes + 4 nipples
REAR LH L.266	WH-019SHCDB	4 spokes + 4 nipples
NIPPLES	WH-07BWT045DB	black - 10 pieces
NIPPLE INSERT	UT-WH160	magnet-attractor for nipple
NIPPLE MAGNET	UT-WH050	nipple-guide
SPOKE SPANNER	UT-WH090	spoke wrenches

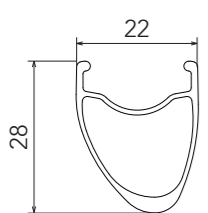
ACCESSORIES

Spacer for HG11 FW body	FH-BUU001	5 pcs - to be used only with 9/10s sprockets
AFS™ locking	4-M1-101B	to fix the rotor

HUBS



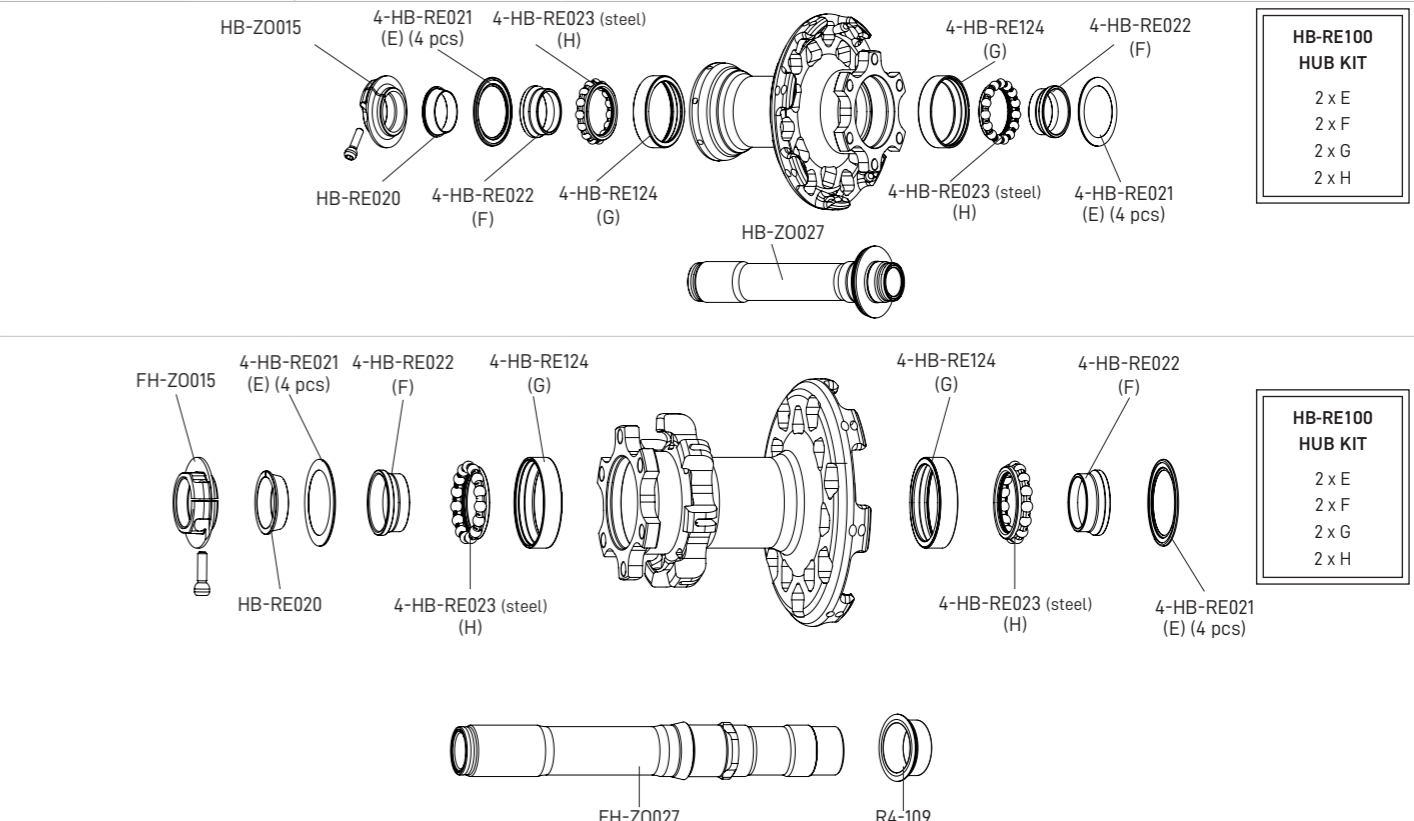
Complete FW body Ø 33 mm/ Corpetti RL completi Ø 33 mm	FH-HGA33 (HG 9/12) - FH-N3WA33 (Campagnolo N3W) - FH-XDRA33 (XDR)	See exploded view pag. 114
N3W KIT RETROFIT	AC21-N3WR FCC (13s)	For more details see page 121

RIM		
	FRONT/REAR RIM	WH-003ZODB (with labels)
	LABEL KIT	LAB-ZOCDB17 (for a pair of front+rear wheels)
	VALVE HOLE	6,5 mm
	DIAMETER	622 X 17C

SPOKES		
FRONT LH / REAR RH SPOKE	WH-016ZODB	4 spokes + 4 nipples
FRONT RH SPOKE	WH-017ZODB	4 spokes + 4 nipples
REAR LH SPOKE	WH-019ZODB	4 spokes + 4 nipples
NIPPLES	50-WH-015ZO	50 pieces
NIPPLE INSERT	UT-WH035	magnet-attractor for nipple
NIPPLE MAGNET	UT-WH050	nipple-guide

ACCESSORIES		
Spacer for HG11 FW body	FH-BUU001	5 pcs - to be used only with 9/10s sprockets (HG11 FW body package contains the spacer)
QUICK-RELEASES	QR17-ZODBFK QR17-ZODBRK	front quick-release +kit QR rear quick-release + kit QR

HUBS

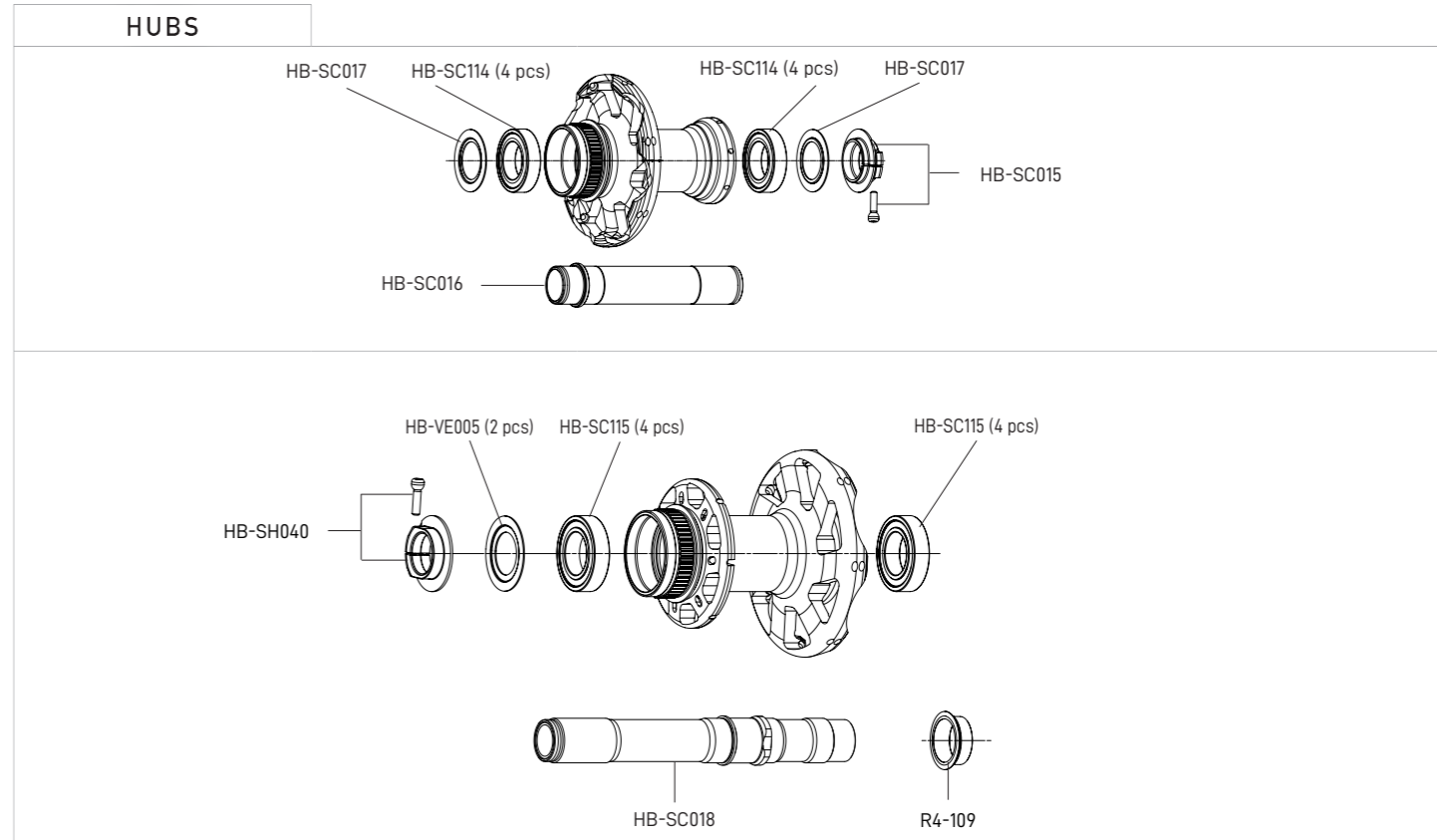


Complete FW body / Corpetti RL completi	FH-BUU015 (Campagnolo 9/12) - FH-B0015X1 (HG 9/12) - FH-BU020XDR (XDR)	See exploded view pag. 114
N3W KIT RETROFIT	AC21-N3WRFC (13s)	For more details see page 121

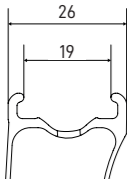

RIM		
	LABEL KIT	LAB-SCDB19 (for a pair of front+rear wheels)
	RIM TAPE	2-WH-RT13 (2 pcs)
	TUBELESS VALVE	VA-2WF44
	VALVE HOLE	6,5 mm
	DIAMETER	622 X 19C

SPOKES		
FRONTLH/REAR RH L.268,5	WH-016SCDB	4 spokes + 4 nipples
FRONT RH L.276	WH-017SCDB	4 spokes + 4 nipples
REAR LH L.267	WH-018SCDB	4 spokes + 4 nipples

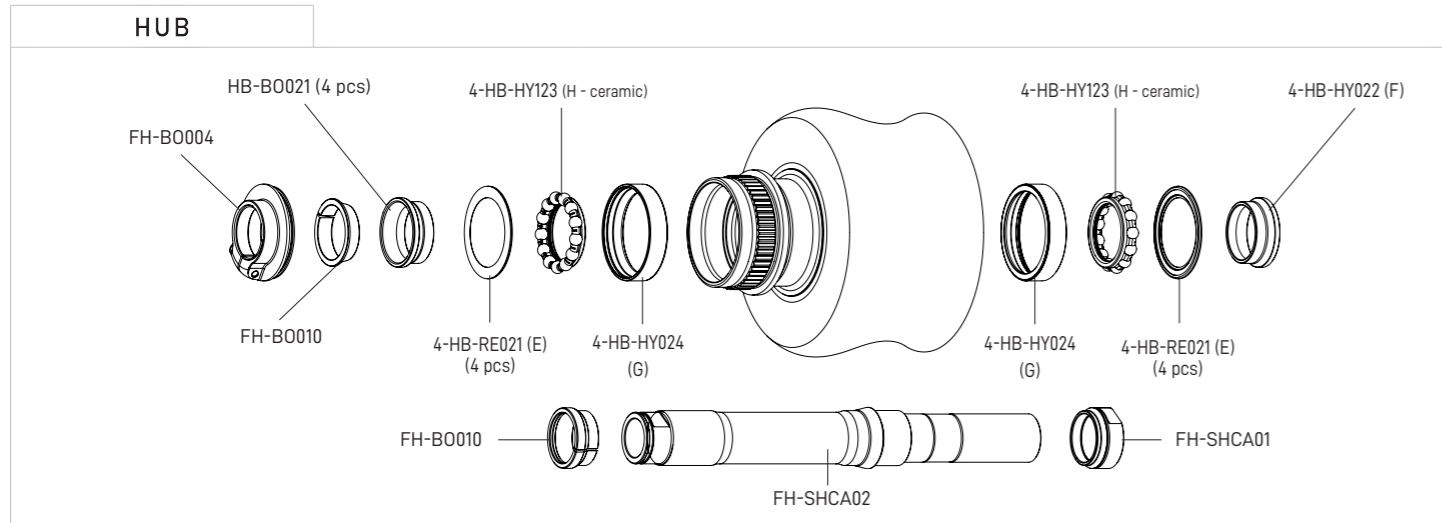
ACCESSORIES		
Spacer for HG11 FW body	FH-BUU001	5 pcs - to be used only with 9/10s sprockets
QUICK RELEASE	QR19-FRDB	Front + Rear 135 mm QR SKEWER FOR DB WHEELS



Complete FW body / Corpetti RL completi	FH-BUU015 (Campagnolo 9/12) - FH-B0015X1 (HG 9/12) - FH-BU020XDR (XDR)	See exploded view pag. 114
N3W KIT RETROFIT	AC21-N3WRFCs (13s)	For more details see page 121

RIM	
	<p>VALVE HOLE STICKERS WH-100BOTT (5 pcs)</p> <p>VALVE HOLE BUSHINGS WH-BUU002 (5 pcs.) </p> <p>2-WAY FIT™ VALVE VA-2WF55</p> <p>DIAMETER 700C (622 x 19C)</p>

**HB-HY100
CULT™ KIT**
2 x E, 2 x F,
2 x G, 2 x H



Complete FW body Ø 33 mm / Corpetti RL completi Ø 33 mm

FH-HGA33 (HG 9/11) - FH-N3WA33 (Campagnolo N3W) - FH-XDRA33 (XDR)

To the N3W f.w. body, to be compatible with 11-12s, you need: N3W adapter + locking (CS-702): AC21-N3W (See component price list); Corpetto r.l. N3W, per essere compatibile 11-12s, serve: adattatore N3W + ghiera (CS-702): AC21-N3W (Vedi Listino componenti)

For Z12 first sprocket locking CS-703 is necessary / Per primo pignone Z12 serve ghiera CS-703

DISC BRAKE WHEELS

RIM		
	FRONT/REAR RIM	WH-03LV (lasered)
	2-WAY FIT™ VALVE L=44	VA-2WF44
	VALVE HOLE	6,5 mm
	VALVE HOLE BUSHING DIAMETER	WH-BUU002 (5 pcs.)
		700C(622 X 25C)

SPOKES		
FRONT /REAR LH 292,5 mm	WH-01LV	4 spokes + 4 nipples
REAR RH 291 mm	WH-02LV	4 spokes + 4 nipples
NIPPLES	WH-04LV	10 pieces
NIPPLE INSERT	UT-WH160	magnet-attractor for nipple
NIPPLE MAGNET	UT-WH050	nipple-guide
NIPPLE SPANNER	UT-WH280	(tools for Service Centers)
NIPPLE SPANNER	UT-WH090	(tools for Shop)
TOOL TO LOCK THE SPOKES	T-25	

ACCESSORIES		
Spacer for HG11 FW body	FH-BUU001	5 pcs - to be used only with 9/10s sprockets
AFS™ locking	4-M1-101B	to fix the rotor

HUBS

HB-RE100 HUB KIT

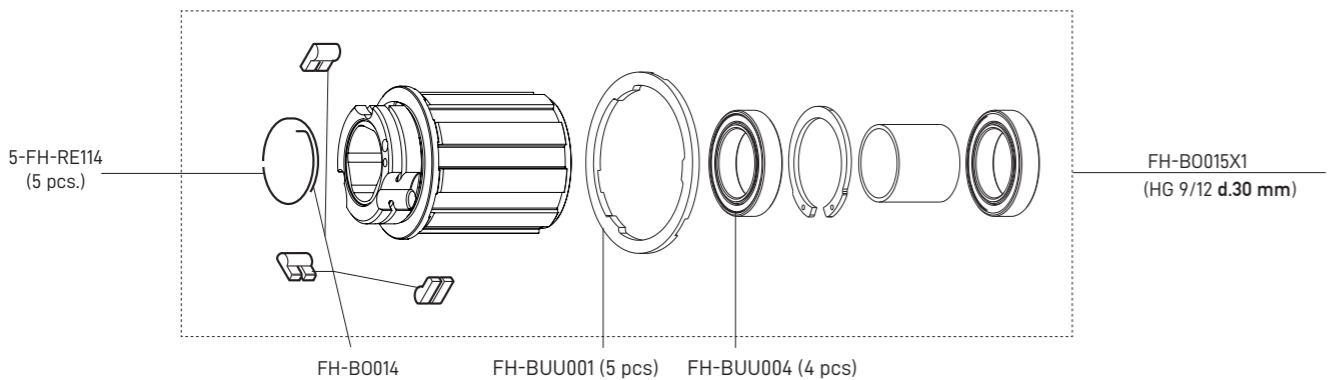
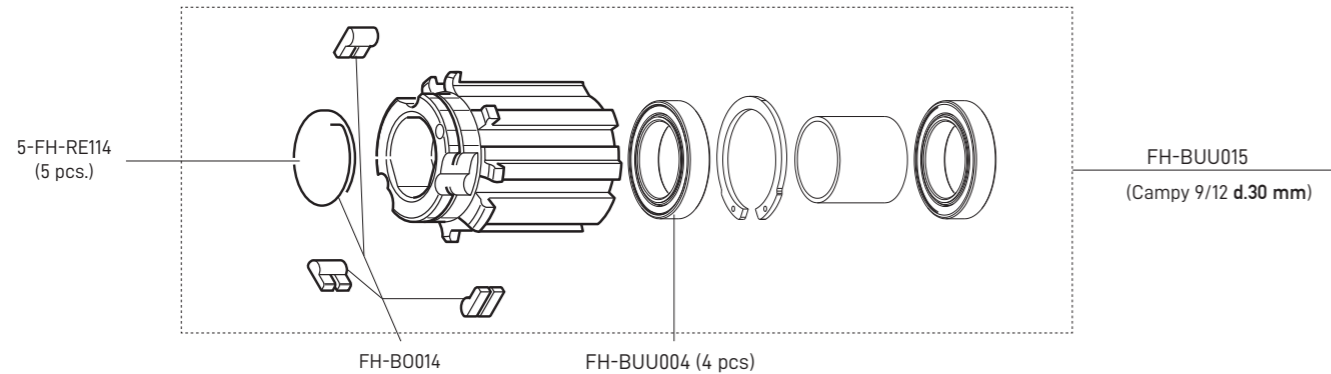
- 2 x E
- 2 x F
- 2 x G
- 2 x H

HB-RE100 HUB KIT

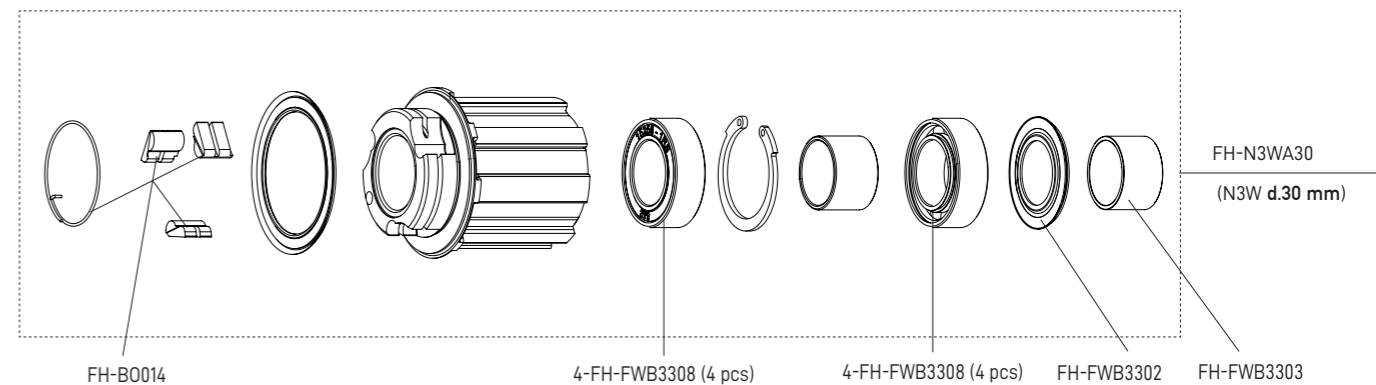
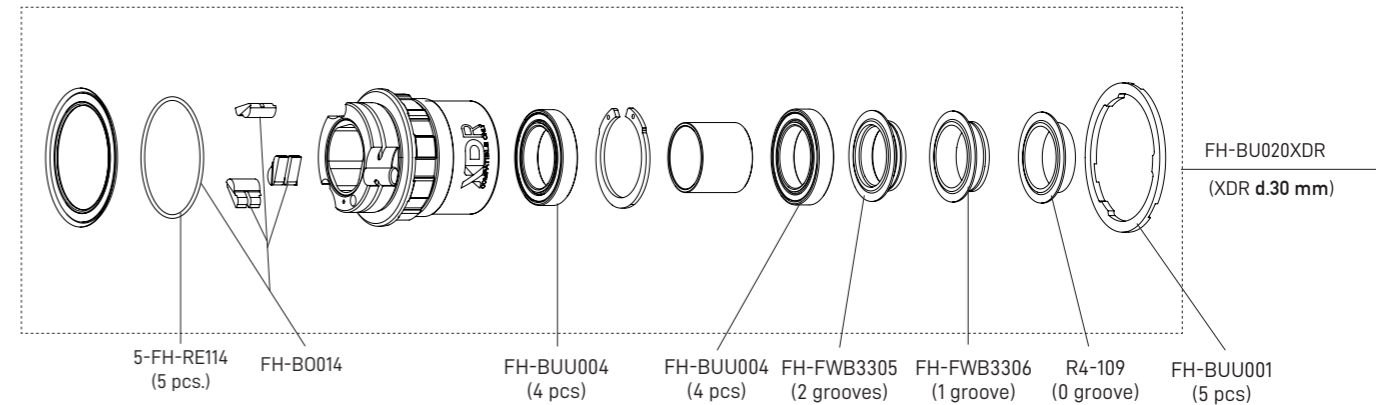
- 2 x E
- 2 x F
- 2 x G
- 2 x H

Complete FW body Ø 33 mm/ Corpetti RL completi Ø 33 mm FH-HGA33 (HG 9/12) - FH-N3WA33 (Campagnolo N3W) - FH-XDRA33 (XDR) See exploded view pag. 114

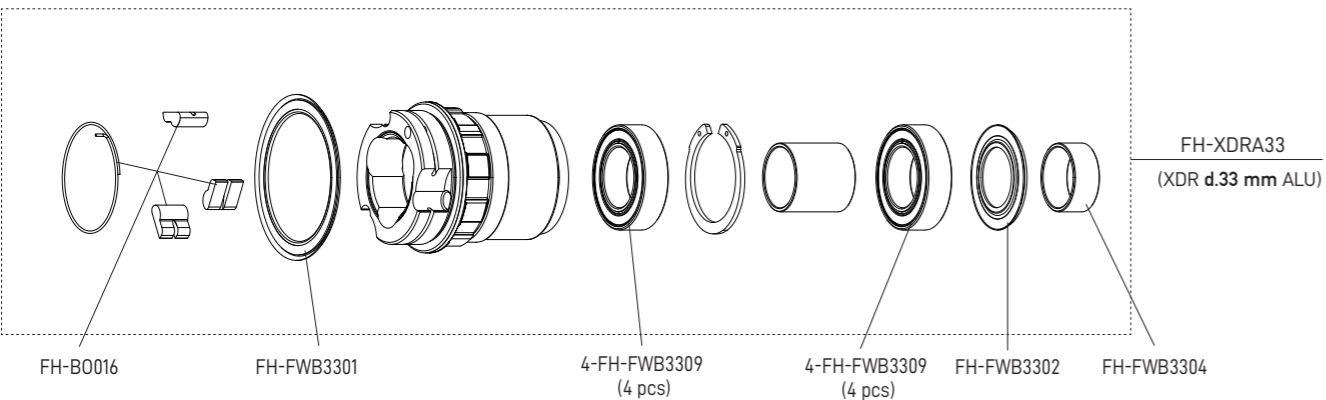
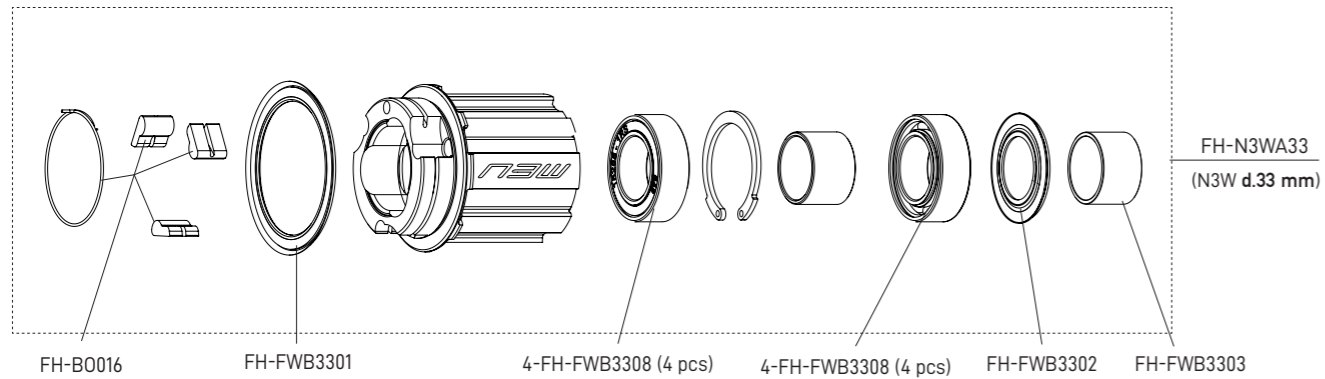
FW BODIES



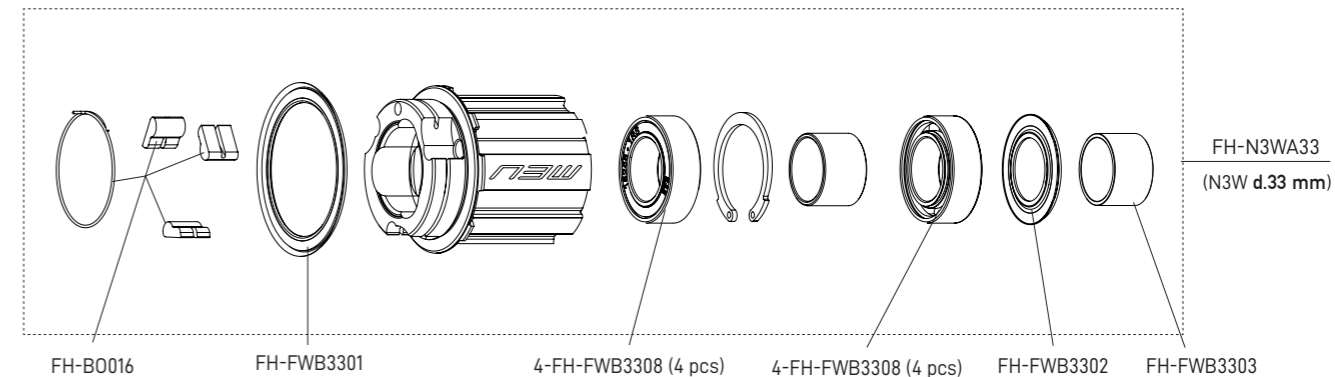
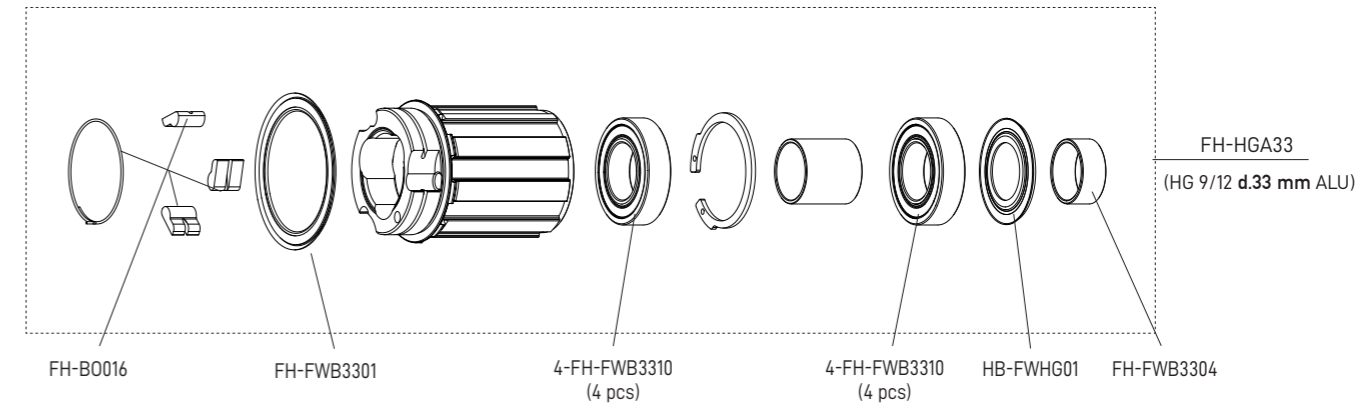
FW BODIES



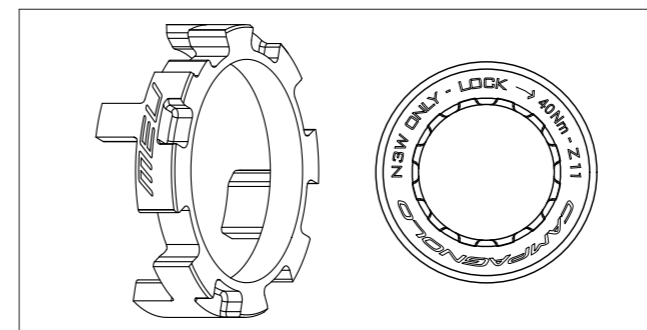
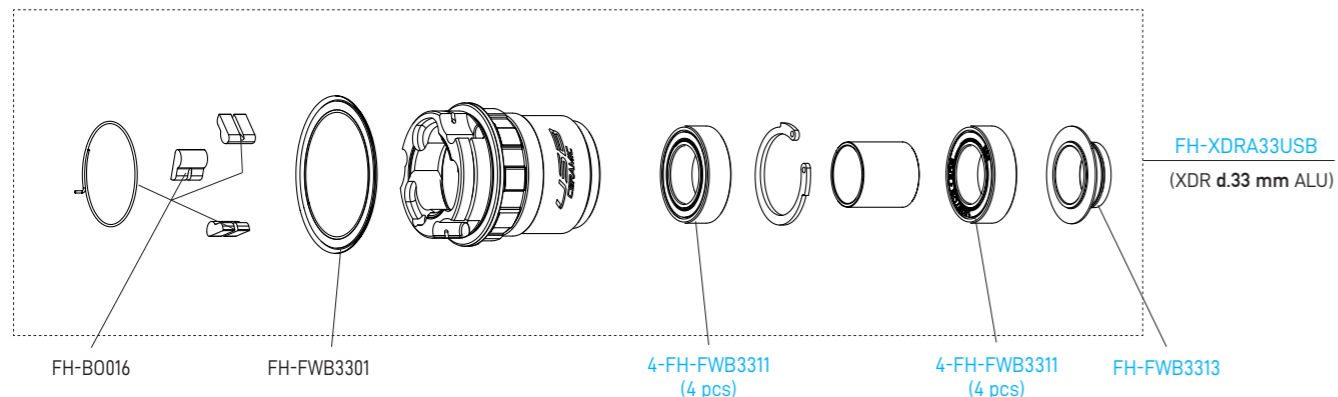
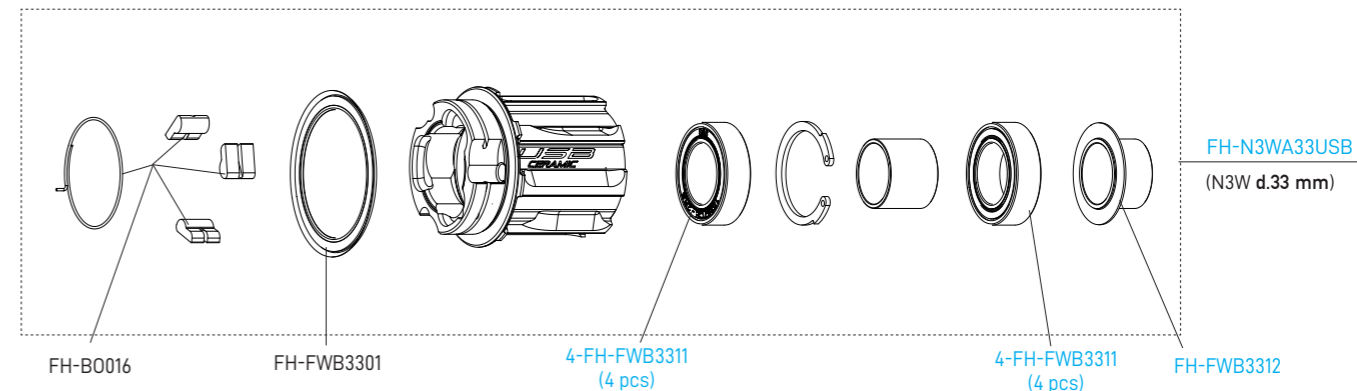
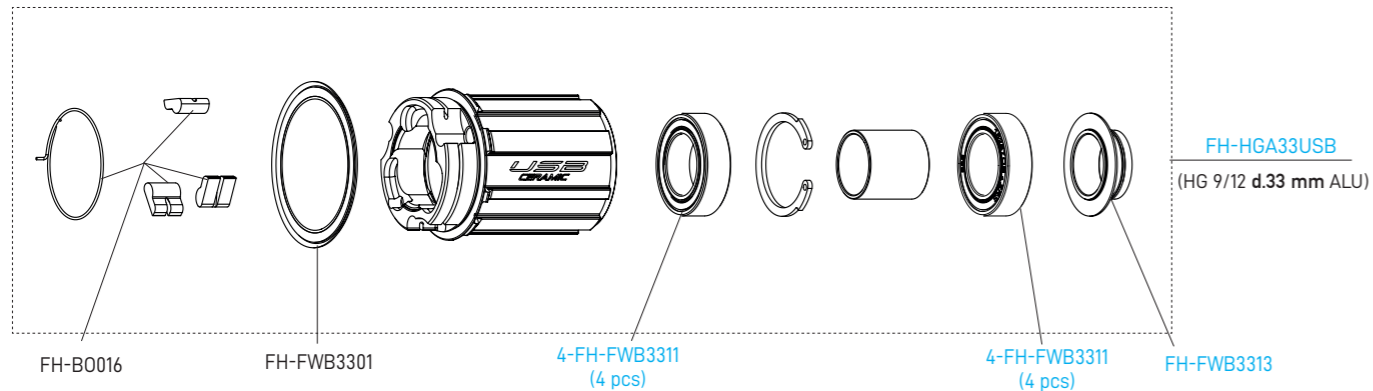
FW BODIES



FW BODIES

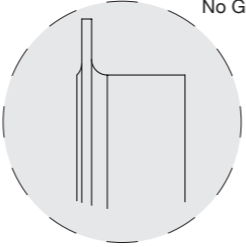
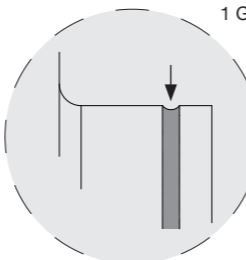
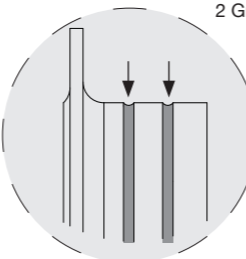


FW BODIES



To the N3W f.w. body, to be compatible with 11-12s, you need: N3W adapter + lockring (CS-702): AC21-N3W (See component price list): Corpetto r.l. N3W, per essere compatibile 11-12s, serve: adattatore N3W + ghiera (CS-702): AC21-N3W (Vedi Listino componenti)

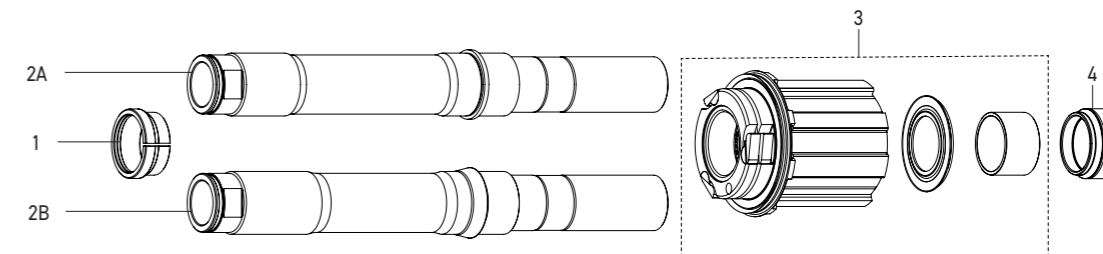
SPACERS FOR D.30 mm SRAM ROAD XDR FH-BU020XDR FW BODY

RIM BRAKE WHEELS	DISC BRAKE WHEELS	SPACER CODE	GROOVES
Scirocco H35 Vento Asymmetric Khamsin Asymmetric	Bora WTO DB Bora H35/50 DB Shamal Ultra DB	R4-109 (No Grooves - 7,4 mm)	 No Grooves
Bora WTO Bora One/Ultra 35/50 Hyperon Ultra Shamal Ultra Shamal Mille Eurus Zonda		FH-FWB3306 (1 Groove - 8,2 mm)	 1 Groove
	Zonda DB Scirocco DB	FH-FWB3305 (2 Grooves - 7,4 mm)	 2 Grooves

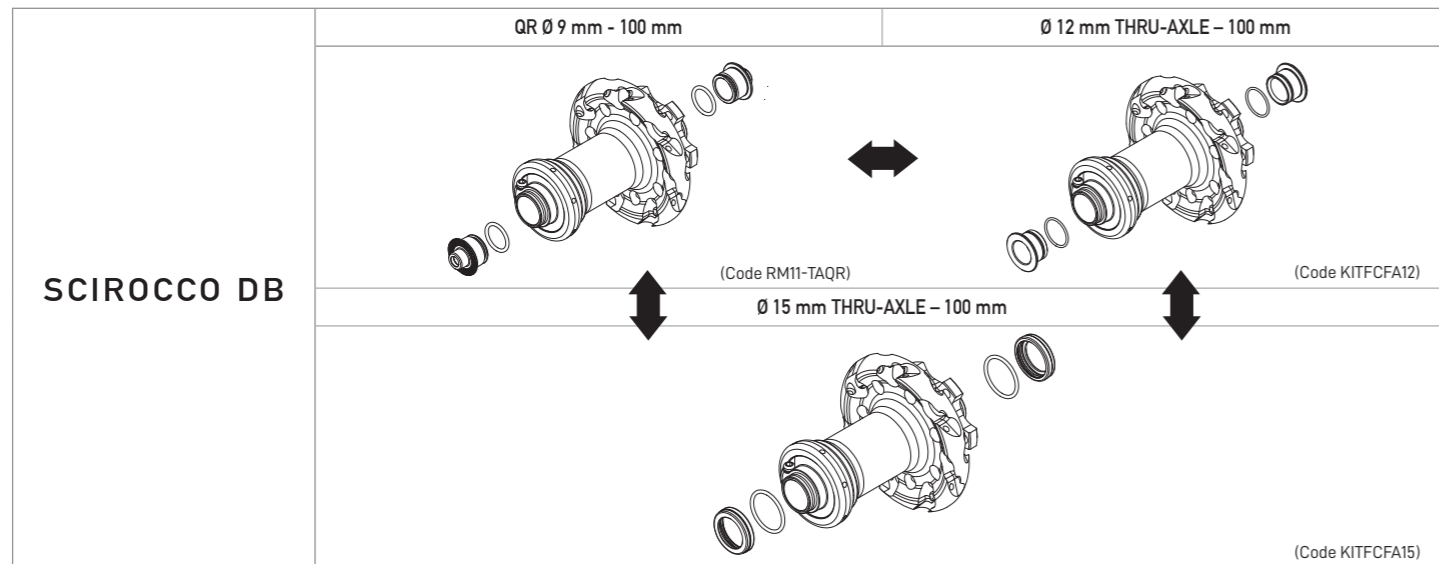
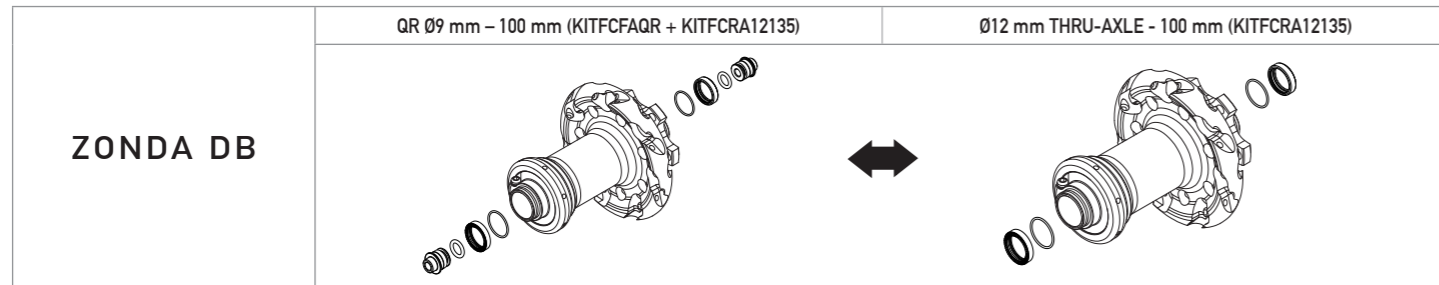
N3W KIT RETROFIT

	RUOTE CONTINUATIVE DB HH12 GAMMA 2020		ONGOING DB HH12 WHEELS FROM 2020 RANGE
RUOTE	Scirocco DB (cuscinetti industriali)	WHEEL MODELS	Scirocco DB (industrial bearings)
	Zonda DB (coni-calotta)		Zonda DB (cup-and-cone)
	Shamal Ultra DB (coni-calotta)		Shamal Ultra DB (cup-and-cone)
	Famiglia Bora One DB (coni-calotta)		Family Bora One DB (cup-and-cone)
	Famiglia Bora WTO DB (coni-calotta) (esclusi i codici delle pag.96, 98, 100)		Family Bora WTO DB (cup-and-cone) (excluded the codes of page 96, 98, 100)
CREMAGLIERA	d. 30 mm	RACK	d. 30 mm
PER RENDERE COMPATIBILE LA RUOTA CON IL GRUPPO 13s	Serve kit di trasformazione (corpetto N3W codice FH-N3WA30 incluso):	TO MAKE THE WHEEL COMPATIBLE WITH 13s GROUPSET	Transformation kit required (N3W body code FH-N3WA30 included):
	• Per cuscinetti industriali: AC21-N3WRFCs (Vedi listino componenti)		• For industrial bearings: AC21-N3WRFCs (See component price list)
	• Per coni-calotta: AC21-N3WRFCc (Vedi listino componenti)		• For cup-and-cone: AC21-N3WRFCc (See component price list)

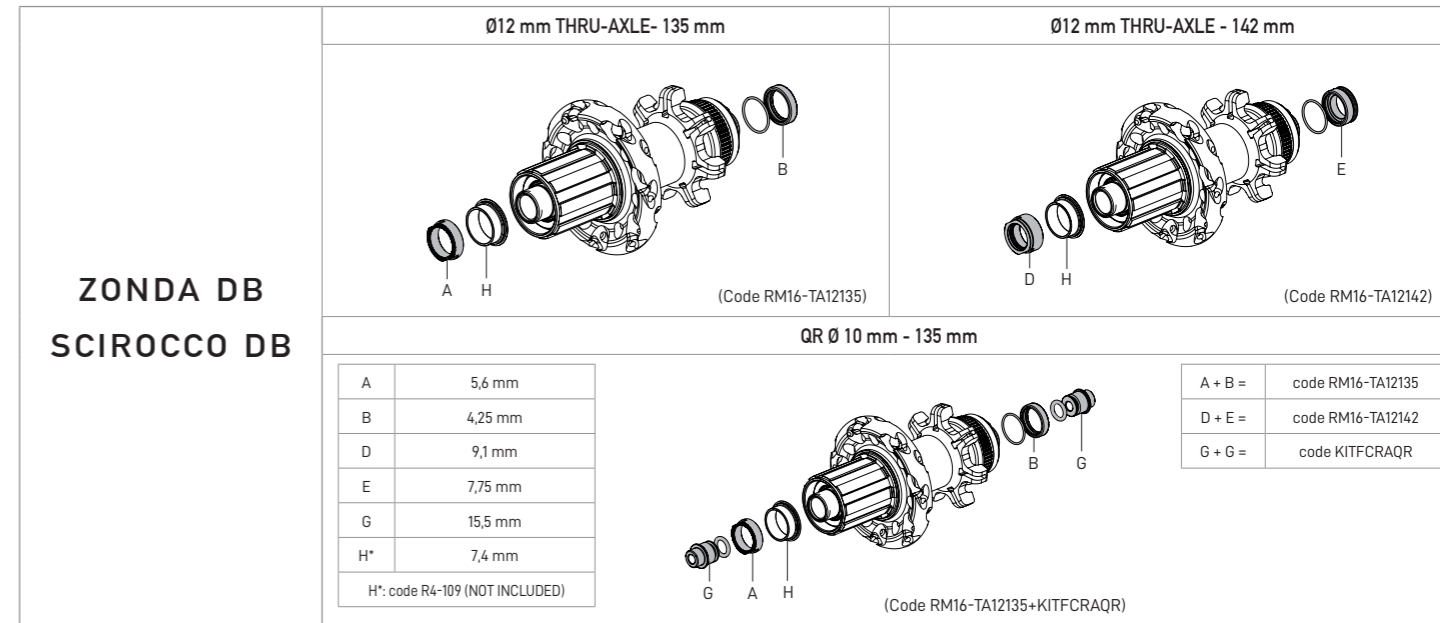
AC21-N3WRFCs (1-2A-3-4)	See component price list
AC21-N3WRFCc (1-2B-3-4)	See component price list



DB WHEELS - ADAPTERS FOR FRONT AXLES



DB WHEELS - ADAPTERS FOR REAR AXLES



QUICK-RELEASES

RIM BRAKE WHEELS	
SCIROCCO™	QR12-ZOBFR
ZONDA™	QR12-ZOBFR
KHAMSIN™	QR12-ZOBFR
CALIMA™	QR12-ZOBFR
SHAMAL™ ULTRA™	QR13-80FR
SHAMAL™ MILLE	QR13-80FR
BORA™ ONE	QR12-BUUBFR
BORA™ ULTRA™	QR12-BUUBFR
BORA™ WTO	QR12-BUUBFR
BORA™ ULTRA™ TT	QR12-BUUBFR

DISC BRAKE WHEELS: QR + TRANSFORMATION KITS

ZONDA™ DB - front	QR17-ZOBBFK (front + kit HH=> QR)
-------------------	-----------------------------------

QR12-BUUBFR (front+rear)



QR12-ZOBFR (front+rear)
QR17-ZOBBFK (front + kit HH=>QR)
QR17-ZOBBRK (rear + kit HH=>QR)



QR13-80FR (front+rear)



QR19-FRDB (front+rear)



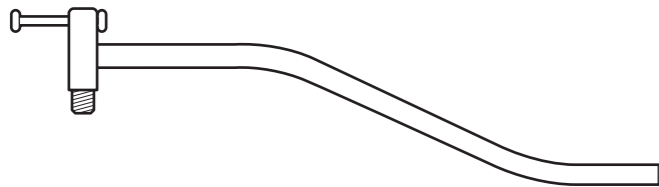
VALVE EXTENSIONS

Your wheels are supplied with valve extensions that correspond to depth of the rim as follows:

PROFILE RIM	MALE VALVE ADAPTER (SUPPLIED)		
<p>Verificate secondo la lunghezza della valvola (della camera d'aria o del tubolare) e l'altezza del profilo del cerchio, quale sia la prolunga adatta alle vostre esigenze.</p> <p>Check what extension you need according to the length of the valve (inner tube or tubular tyre) and height of the rim profile.</p>	UT-WH130M	L = 35 mm	
	UT-WH140M	L = 65 mm	
	UT-WH150M	L = 90 mm	
	UT-HU150	L = 40 mm	
	UT-WH160M	L = 74 mm	

PROFILE RIM	FEMALE VALVE ADAPTER (OPTION)		
<p>Verificate secondo la lunghezza della valvola (della camera d'aria o del tubolare) e l'altezza del profilo del cerchio, quale sia la prolunga adatta alle vostre esigenze.</p> <p>Check what extension you need according to the length of the valve (inner tube or tubular tyre) and height of the rim profile.</p>	UT-WH130F	L = 37 mm	
	UT-WH140F	L = 67 mm	
	UT-WH150F	L = 92 mm	
	UT-WH160F	L = 80 mm	

USE AIR CHAMBERS (INNER TUBES) WITH A LONG VALVE (AT LEAST 35 mm).



UT-VS030

Riscontro allineamento occhiello attacco cambio
Rear derailleur hanger alignment tool

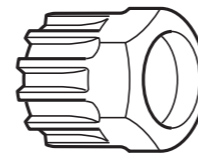


UT-FD120

Dima per corretto posizionamento deragliatore (2 pz - per Z50 e Z52-Z53)
Front derailleur alignment tool (2 pcs - for Z50 and Z52-Z53)

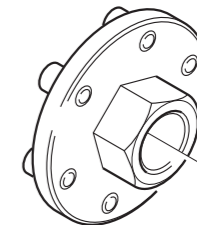
UT-FD121

Dima per corretto posizionamento deragliatore (1 pz - per Z45 e Z48)
Front derailleur alignment tool (1 pc - for Z45 and Z48)



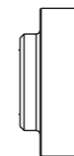
UT-BB080 (1 pz.) - 10-UT-BB080 (10 pz.):

Chiave per montaggio movimenti centrali CART e ghiera di chiusura pacchi pignoni
Cartridge bottom bracket and sprocket cassette- lock ring remover



UT-BB100

Utensile per movimenti a cartuccia Daytona/Centaur™, Veloce™ e Mirage™
Tool for Daytona/Centaur™, Veloce™ and Mirage™ cartridge bottom bracket



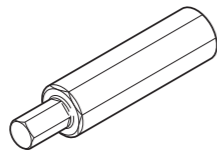
UT-FC090

Insero per estrattore pedivella sinistra POWER TORQUE™
Insert for left POWER TORQUE™ crank extractor

CRANKSET

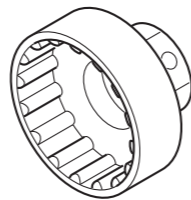
UT-BB110

Utensile per vite fissaggio guarnitura ULTRA-TORQUE™
Tool for ULTRA-TORQUE™ crankset fixing screw



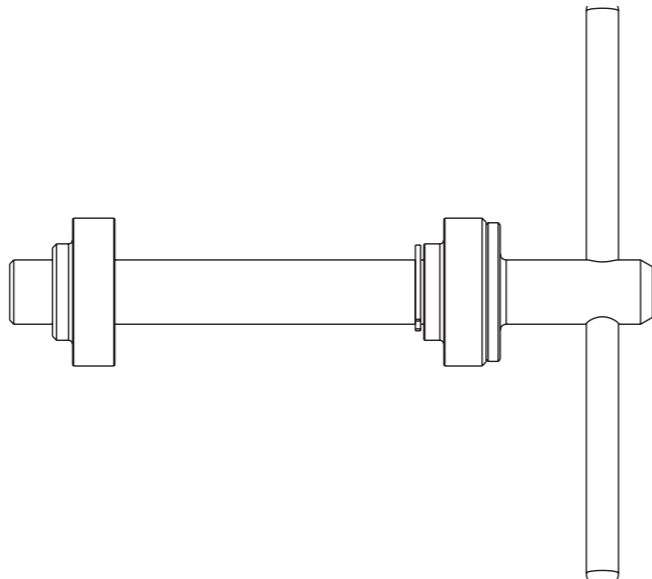
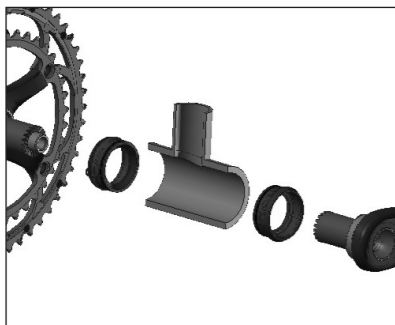
UT-BB130

Chiave per calotte esterne guarnitura / ghiera AFS™
Tool for crankset overboard cups / AFS™ locking

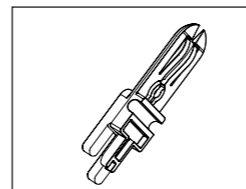


UT-BB240

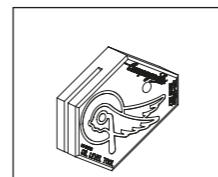
Utensile per piantaggio calotte integrate OS-Fit™
Tool for OS-Fit™ crankset overboard cups



DISC BRAKES



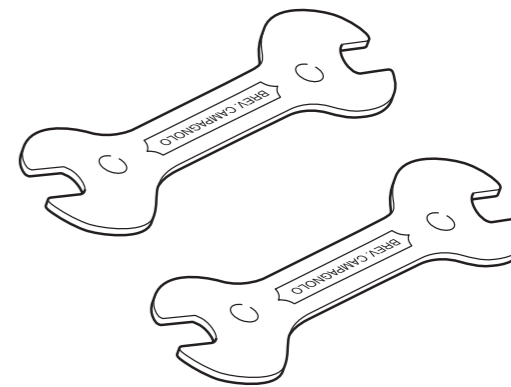
Attrezzo da trasporto /
Transportation block
DB-001 (10 pcs)



Attrezzo livello olio /
Oil level tool
UT-DB011

BRAKES

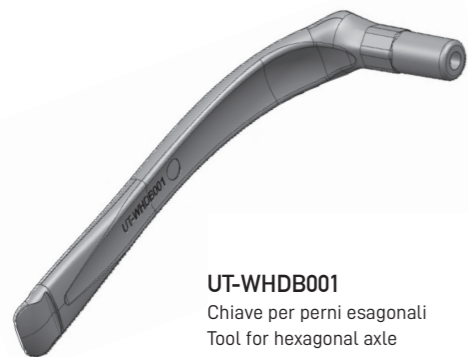
RIM BRAKES



UT-BR010

Coppia chiavi 13-14 per registrazione freni e coni mozzi
Pair of 13-14 mm spanners for adjusting brakes and hub cones

WHEELS

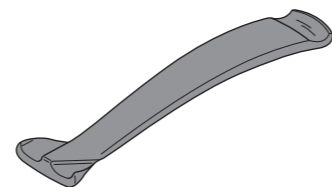
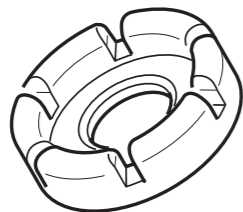


UT-WHDB001
Chiave per perni esagonali
Tool for hexagonal axle



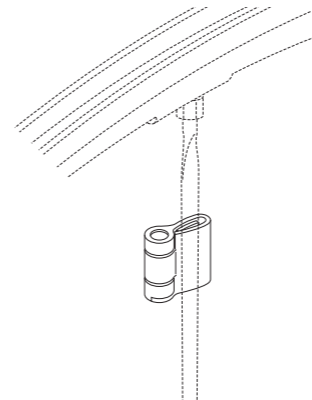
UT-WHDB002
Inserto metallico per perni esagonali
Metallic insert for hexagonal axle

UT-HU050
Tiraraggi
Spoke wrench

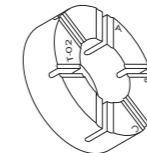


WH-109HYC (6 pcs.)
Leva in composito per rimozione copertoncino
Composite lever for removing clinchers

WHEELS



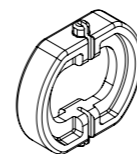
UT-WH080
Magnete velocità per raggi SHAMAL™ ULTRA™
SPD magnet for SHAMAL™ ULTRA™ spokes



UT-WH010
Anello anti-rotazione raggi
Spoke antirotation ring



UT-WH090
Chiave tiraraggi BORA ULTRA 80
Spoke wrench BORA ULTRA 80



UT-WH290
Attrezzi per raggio e nipplo BORA ULTRA WTO / HYPERON ULTRA
Tools for spoke/nipple BORA ULTRA WTO / HYPERON ULTRA



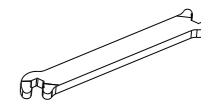
UT-WH020
Inserto nipplo attira-magnete per SHAMAL™ ULTRA / SHAMAL™ MILLE
Magnet-attracting nipple insert for SHAMAL™ ULTRA / SHAMAL™ MILLE

UT-WH035
Inserto nipplo attira-magnete per ZONDA™ 2012
Magnet-attracting nipple insert for ZONDA™ 2012

UT-WH160
Inserto nipplo attira-magnete per BORA ULTRA / BORA ULTRA TWO / BORA ONE / BORA ONE DB / BORA WTO / BORA WTO DB
Magnet-attracting nipple insert for BORA ULTRA / BORA ULTRA TWO / BORA ONE / BORA ONE DB / BORA WTO / BORA WTO DB

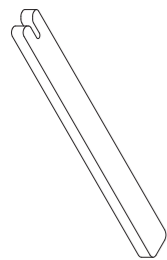
UT-WH110
Inserto nipplo attira-magnete per SHAMAL™ ULTRA DB / SHAMAL™ MILLE
Magnet-attracting nipple insert for SHAMAL™ ULTRA DB / SHAMAL™ MILLE

UT-WH070
Chiave tiraraggi
Spoke wrench



UT-WH280
Chiave tiraraggi per BORA ONE / BORA ULTRA / BORA WTO / ZONDA (Nipplo sez. quadrata - Service Center Only)
Spoke wrench for BORA ONE / BORA ULTRA / BORA WTO / ZONDA (Square section nipple - Service Center Only)

WHEELS



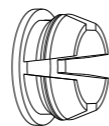
T-25 **LEVANTE**
Chiave anti-rotazione raggi
Spoke antirotation tool



UT-WH050
Magnete guida-nipplo
Nipple guide magnet

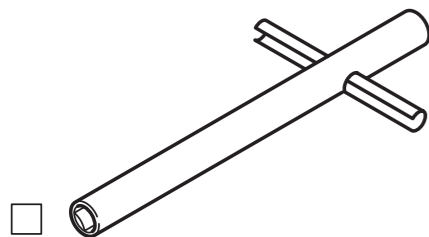
5-WH-SH002

Bussola riduzione sede valvola 2WF (5 pz)
Valve hole bushing for 2WF (5 pcs)

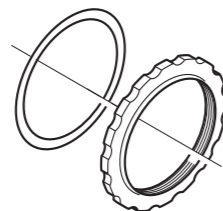


WH-BUU002

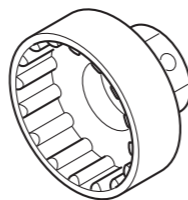
Bussola riduzione sede valvola BORA ULTRA 80 (5 pz)
Valve hole bushing for BORA ULTRA 80 (5 pcs)



UT-HU060
Chiave per raggi ruote Bora™ (fino a gamma '02)
Bora™ wheel truing tool (till '02 range)

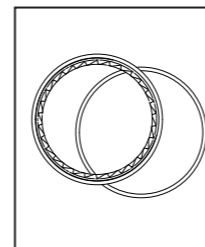


4-M1-101B (4 pcs.)
Ghiera AFS™
AFS™ lockring

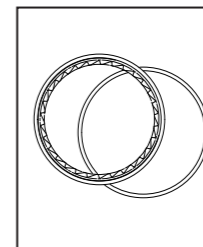


UT-BB130
Chiave per calotte esterne guarnitura / ghiera AFS™
Tool for crankset overboard cups / AFS™ lockring

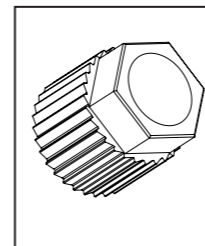
WHEELS



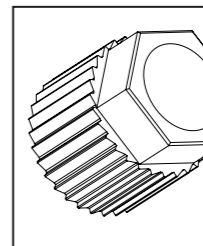
HB-B0031 (3 pcs)
Inserto a cremagliera - Road
Hub ratchet ring tool - Road
(SERVICE CENTER only)



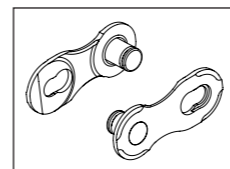
FH-FWB3307 (3 pcs)
Inserto a cremagliera - SHAMAL CARBON - **BORA ULTRA WTO - BORA ULTRA WTO TT - LEVANTE / HYPERON / HYPERON ULTRA**
Hub ratchet ring tool - SHAMAL CARBON - **BORA ULTRA WTO - BORA ULTRA WTO TT - LEVANTE / HYPERON / HYPERON ULTRA**
(SERVICE CENTER only)



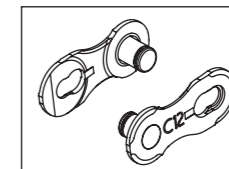
UT-HU140
Attrezzo per smontaggio cremagliera - Road
Hub ratchet ring tool - Road
(SERVICE CENTER only)



UT-HU141
Attrezzo per smontaggio cremagliera - SHAMAL CARBON - **BORA ULTRA WTO - BORA ULTRA WTO TT - LEVANTE / HYPERON / HYPERON ULTRA**
Hub ratchet ring tool - SHAMAL CARBON - **BORA ULTRA WTO - BORA ULTRA WTO TT - LEVANTE / HYPERON / HYPERON ULTRA**
(SERVICE CENTER only)



CN-SR701
C-Link™ per catene 13s (1 pz)
C-Link™ for 13s chains only (1 pcs)

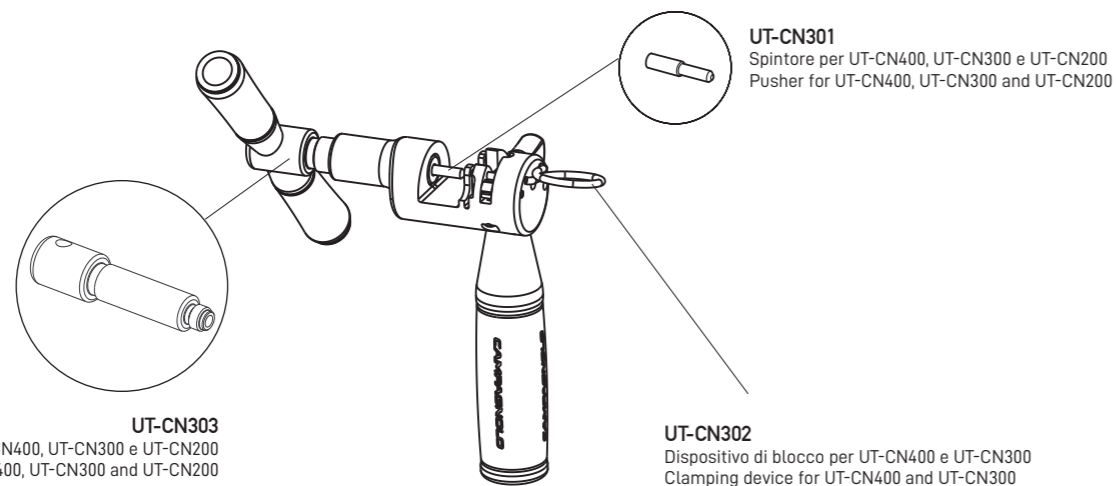


CN-SR702
C-Link™ per catene 12s (1 pz)
C-Link™ for 12s chains only (1 pcs)

CHAIN

UT-CN400

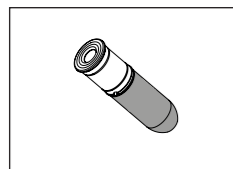
Utensile per **Ultra-Link™** (solo catene 12s / 13s)
Tool for **Ultra-Link™** (12s / 13s chains only)



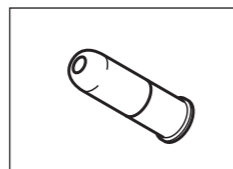
UT-CN301
Spintore per UT-CN400, UT-CN300 e UT-CN200
Pusher for UT-CN400, UT-CN300 and UT-CN200

UT-CN302
Dispositivo di blocco per UT-CN400 e UT-CN300
Clamping device for UT-CN400 and UT-CN300

UT-CN303
Perno centrale per UT-CN400, UT-CN300 e UT-CN200
Central axle for UT-CN400, UT-CN300 and UT-CN200



5-CN-SR700
Ultra-Link™ per catene 13s (5 pz)
Ultra-Link™ for 13s chains only (5 pcs)

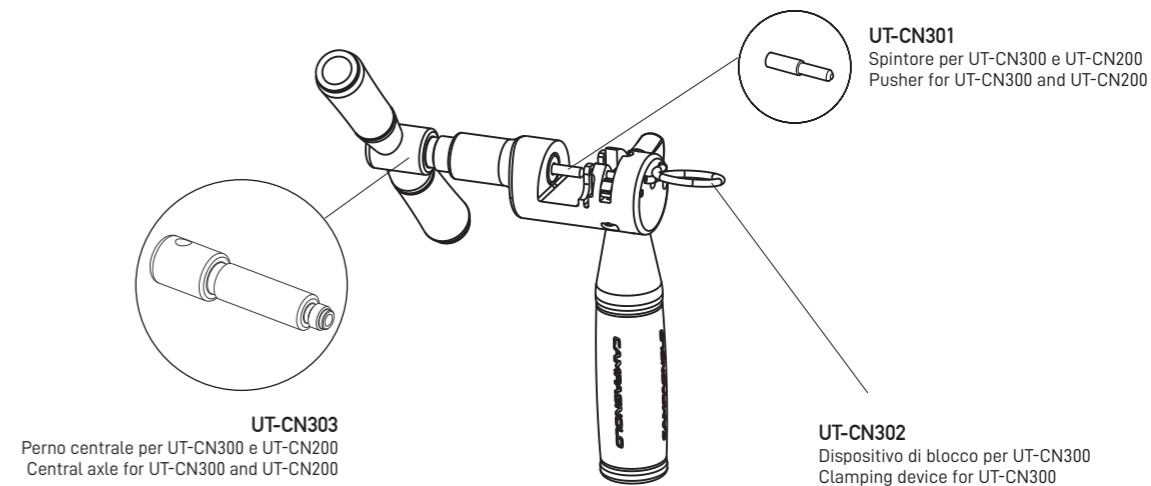


5-CN-SR600
Ultra-Link™ per catene 12s (5 pz)
Ultra-Link™ for 12s chains only (5 pcs)

CHAIN

UT-CN300

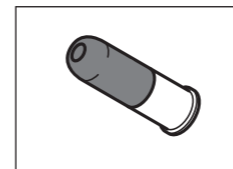
Utensile per **Ultra-Link™** (solo catene 11s / 12s)
Tool for **Ultra-Link™** (11s / 12s chains only)



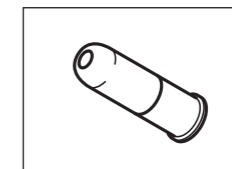
UT-CN301
Spintore per UT-CN300 e UT-CN200
Pusher for UT-CN300 and UT-CN200

UT-CN302
Dispositivo di blocco per UT-CN300
Clamping device for UT-CN300

UT-CN303
Perno centrale per UT-CN300 e UT-CN200
Central axle for UT-CN300 and UT-CN200



5-CN-RE500
Ultra-Link™ per catene 11s (5 pz)
Ultra-Link™ for 11s chains only (5 pcs)

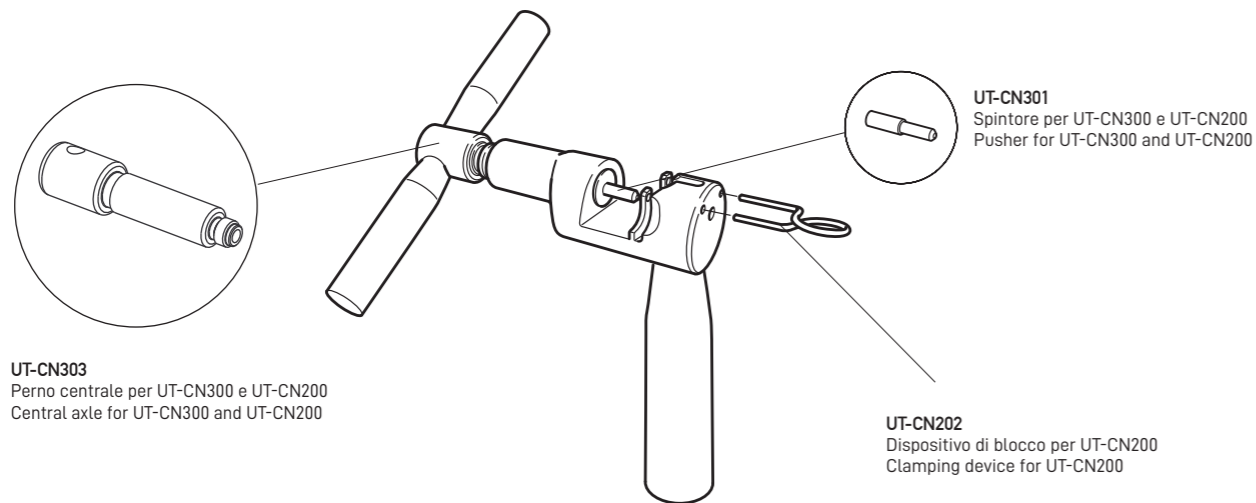


5-CN-SR600
Ultra-Link™ per catene 12s (5 pz)
Ultra-Link™ for 12s chains only (5 pcs)

CHAIN

CAMPY™ UT-CN200

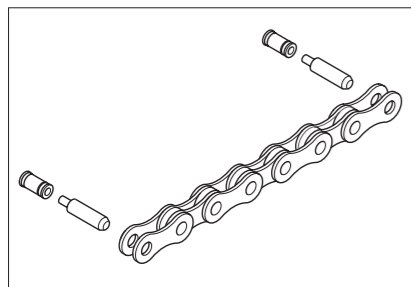
Utensile per HD-Link™ (catene C10™ e C10™ Ultra Narrow™)
Tool for HD-Link™ (C10™ and C10™ Ultra Narrow™ chains)



UT-CN303
Perno centrale per UT-CN300 e UT-CN200
Central axle for UT-CN300 and UT-CN200

UT-CN301
Spintore per UT-CN300 e UT-CN200
Pusher for UT-CN300 and UT-CN200

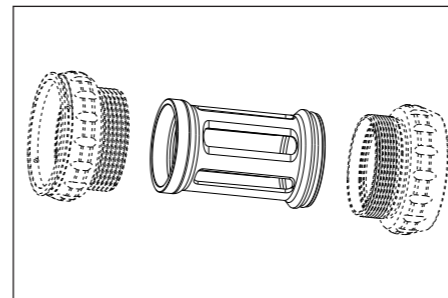
UT-CN202
Dispositivo di blocco per UT-CN200
Clamping device for UT-CN200



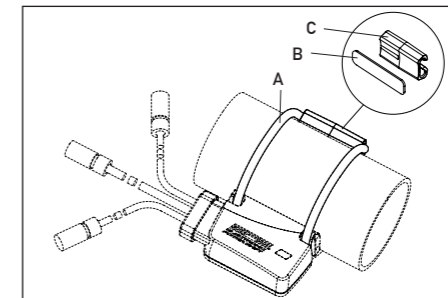
CN-RE400

HD-Link™ Ultra Narrow™ (5,9 mm) per catene C10™ Ultra Narrow™
HD-Link™ Ultra Narrow™ (5,9 mm) for C10™ Ultra Narrow™ chains

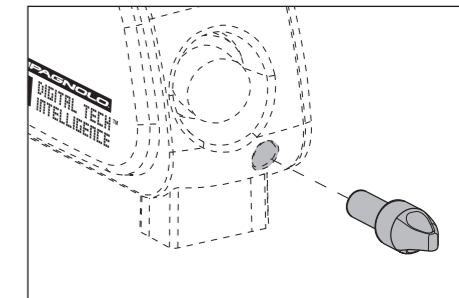
EPS



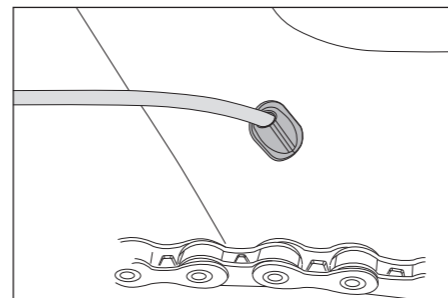
EPS-001
Cilindro guida-cavi
BB cable guide



EPS-002
Accessori montaggio sistema di interfaccia (A+B+C)
Kit for interface assembly (A+B+C)

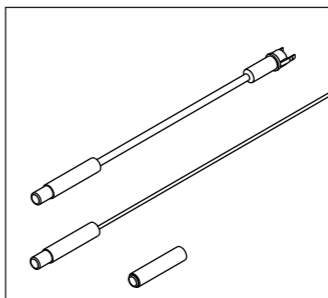


EPS-003
Magnete spegnimento sistema di potenza (5 pz.)
Switch-off magnet (5 pcs.)



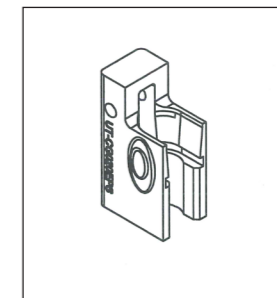
CG-CS001EPS
Gommino passacavi (20 pz.)
Grommet for cables (20 pcs.)

CG-CS002EPS
Gommino passacavi per Power Unit (10 pz.)
Grommet for Power Unit cables (20 pcs.)



UT-CG010EPS
Kit magneti passacavi SR-RE
Cable run magnet kit SR-RE

UT-CG010ATEPS
Kit magneti passacavi AT
Cable run magnet kit AT

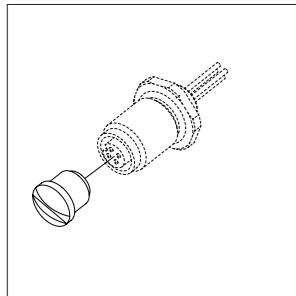


UT-CG020EPS
Attrezzo apri-connettori SR-RE
Connector disconnection tool SR-RE

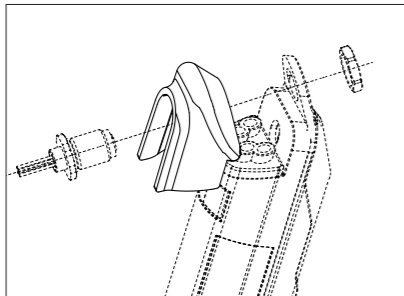


UT-CG120ATEPS
Attrezzo apri-connettori AT
Connector disconnection tool AT

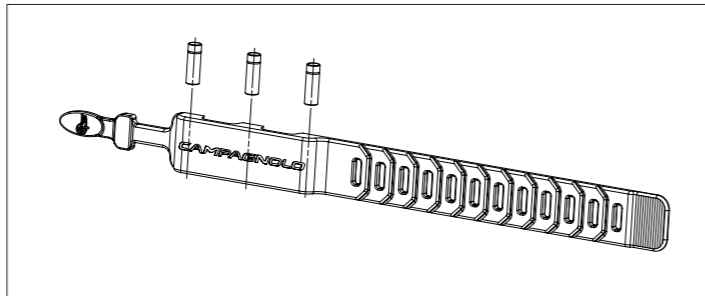
EPS V2 POWER UNIT



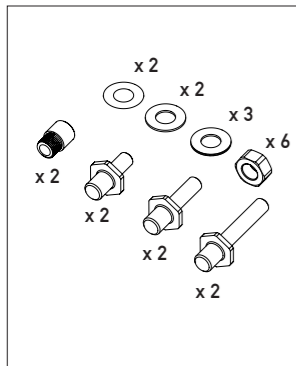
EPS-004
Tappo connettore cariche batterie PU EPS V2 (5 pz) / PU EPS V2 connector cup (internal mount) (5 pcs)



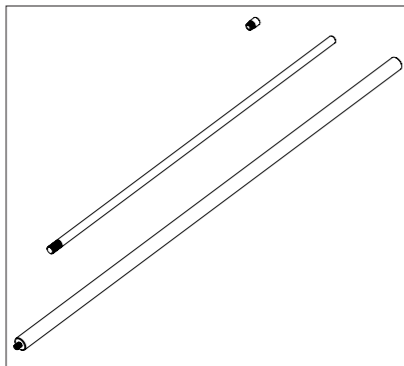
EPS-005
Cappuccio per installazione est. PU EPS V2 (5pz) / PU EPS V2 external mount connector cap (5pcs)



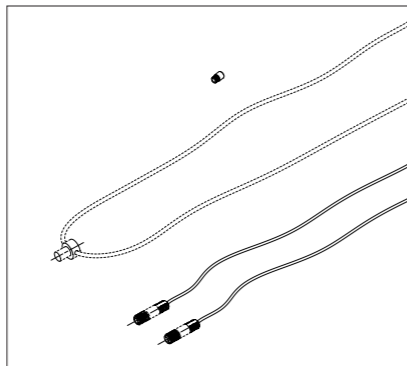
EPS-006
Fascia spegnimento magnetica / Magnetic power block strap



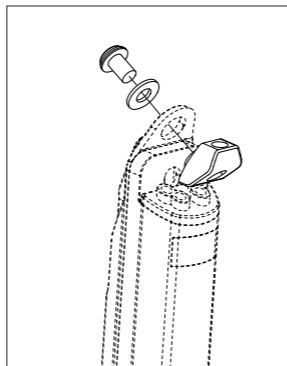
EPS-107
Kit viti Power Unit EPS V2 / V3 / V4
EPS V2 / V3 / V4 Power Unit screws kit



UT-PU010
Kit installazione interna PU EPS V2 / V3 / V4
EPS V2 / V3 / V4 PU internal installation tool

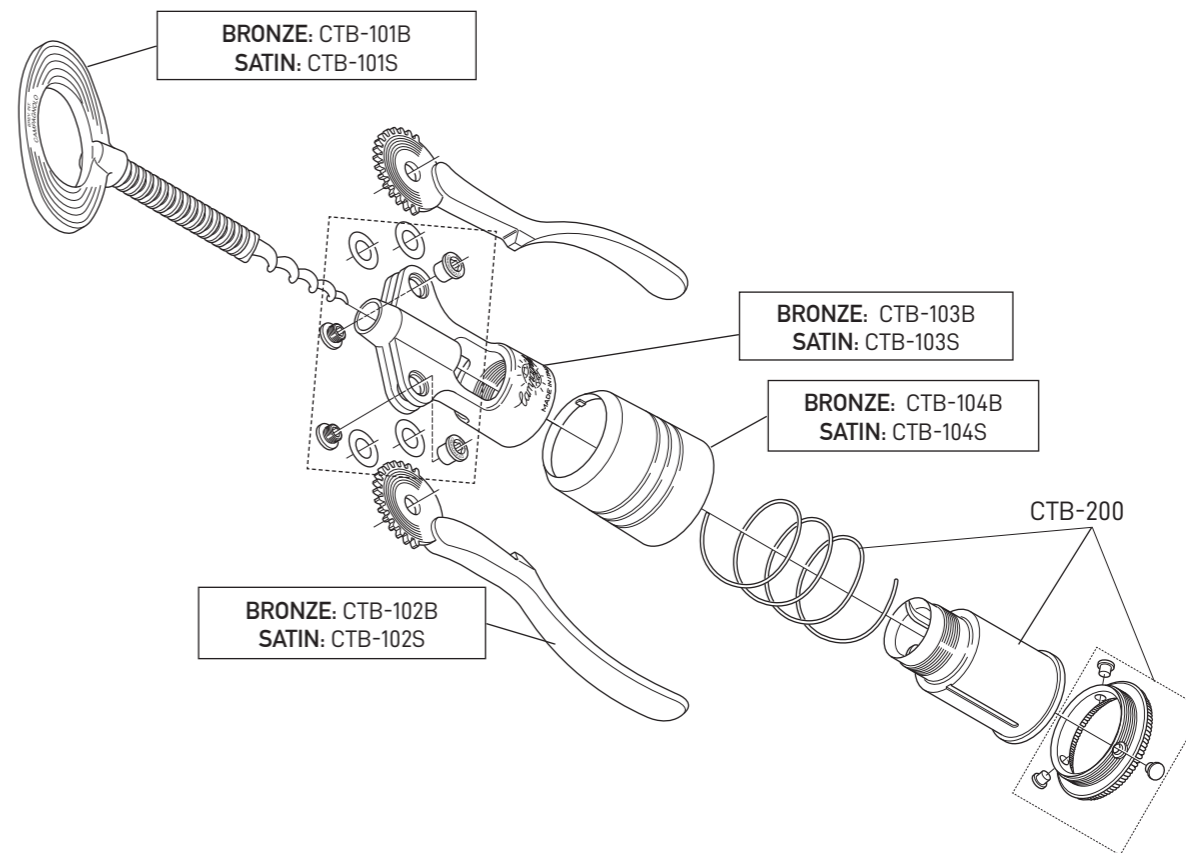


UT-PU030
Kit installazione tubo obliquo
PU EPS V2 / EPS V2 PU down-tube
installation tool



UT-PU020
Adattatore per installazione rovesciata
PU EPS V2 / EPS V2 PU
internal upside-down installation
adapter

BIG



CAMPAGNOLO S.R.L.

Via della Chimica, 4
36100 Vicenza - ITALY
Tel. +39-0444-225500
Fax: +39-0444-225400
E-mail: sales@campagnolo.com

FRANCE

CAMPAGNOLO FRANCE SAS
ZA du Tissot - 42530 St GENEST - LERPT
Tel. +33-477-556305
Fax: +33-477-556345
E-mail: campagnolo@campagnolo.fr

GERMANY

CAMPAGNOLO DEUTSCHLAND GMBH
Alte Garten 62
51371 LEVERKUSEN
Tel. +49-214-206953-0
Fax: +49-214-206953-15
E-mail: campagnolo@campagnolo.de

JAPAN

CAMPAGNOLO JAPAN LTD
65 Yoshida-cho, Naka-ku, YOKOHAMA
231-0041
Tel. +81-45-264-2780
Fax: +81-45-241-8030
E-mail: info@campagnolo.jp

SPAIN

CAMPAGNOLO IBERICA S.L.
Avda. de Los Huetos 46. pab, 3-2ª fila
01010 VITORIA
Tel. +34-945-217195
Fax: +34-945-217198
E-mail: campagnolo@campagnolo.es

TAIWAN

PRIMATEK LTD
No. 4, Gongyequ 10th Rd., Nantue Dist.,
TAICHUNG CITY 408 - TAIWAN (R.O.C.)
Tel. +886-4-23506831
Fax: +886-4-23596764

UNITED STATES

CAMPAGNOLO NORTH AMERICA INC.
5431 Avenida Encinas, Suite C -
CARLSBAD CA 92008 - U.S.A.
Tel. +1-760-9310106
Fax: +1-760-9310991
E-mail: info@campagnolona.com