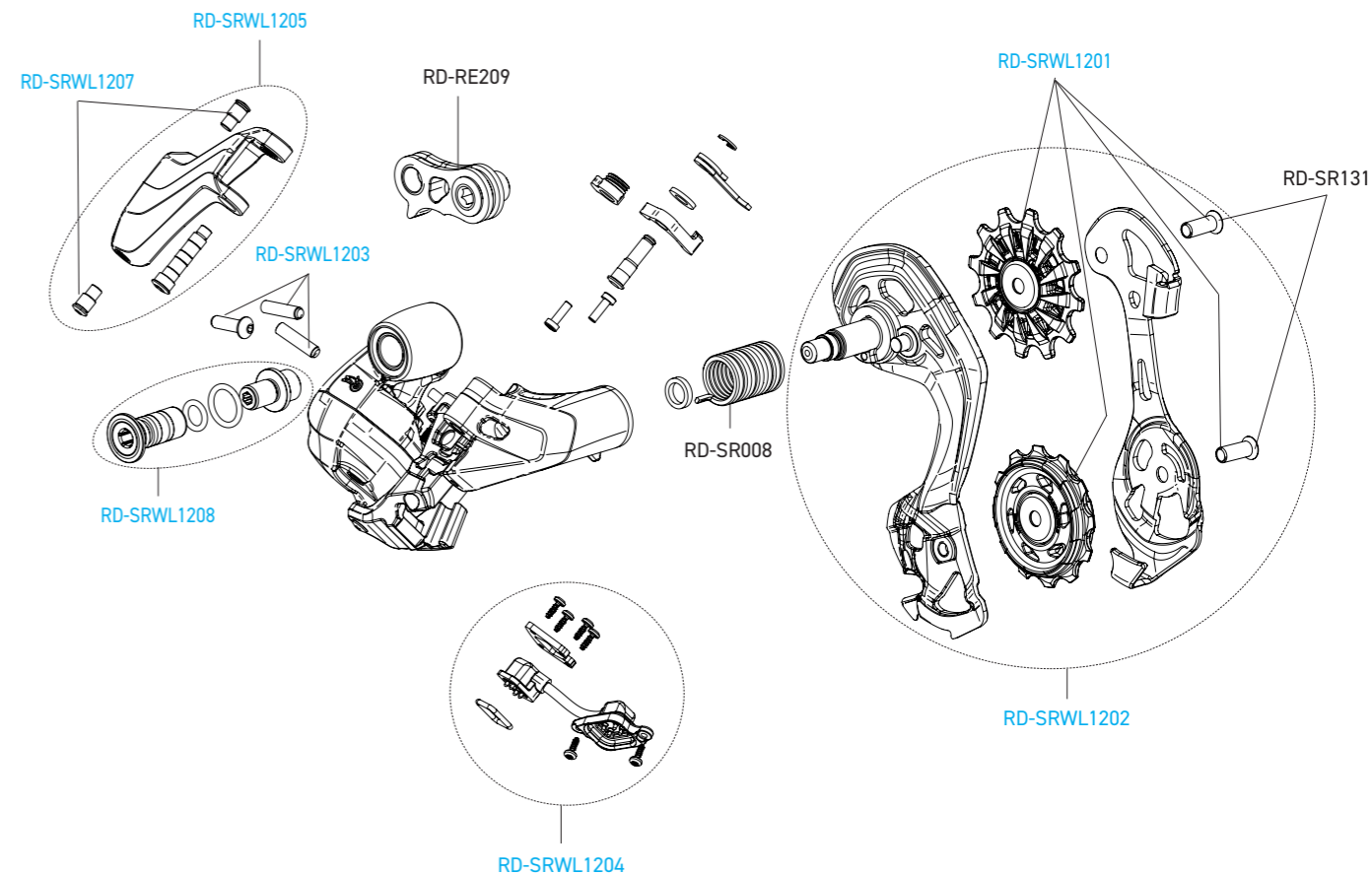
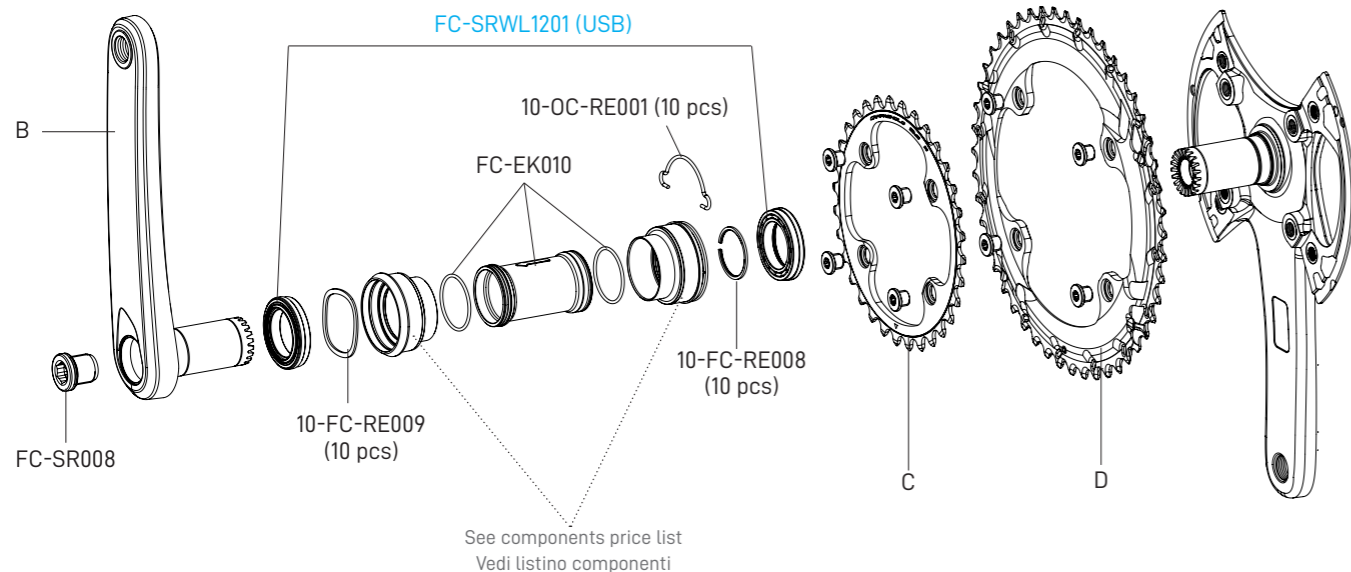
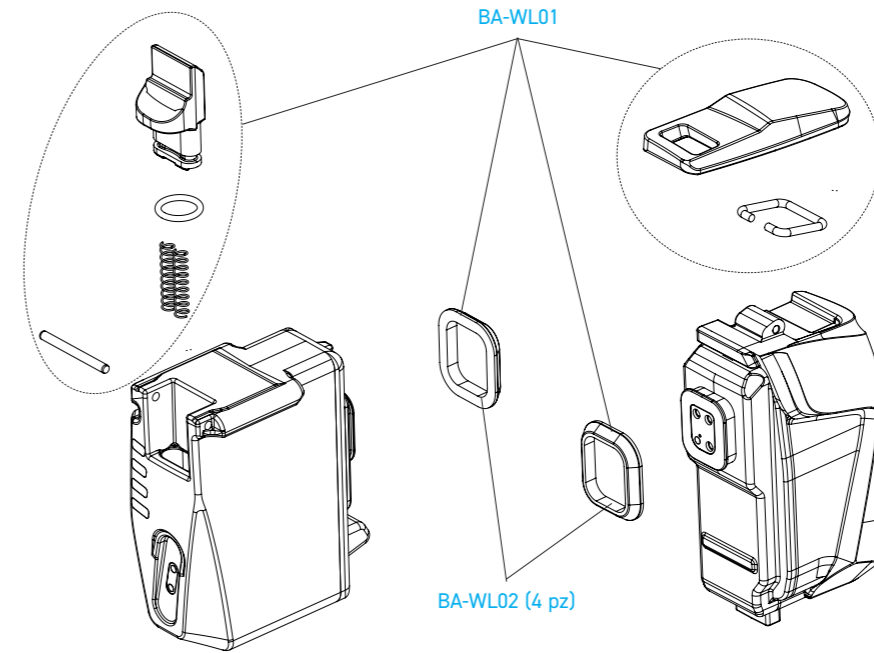
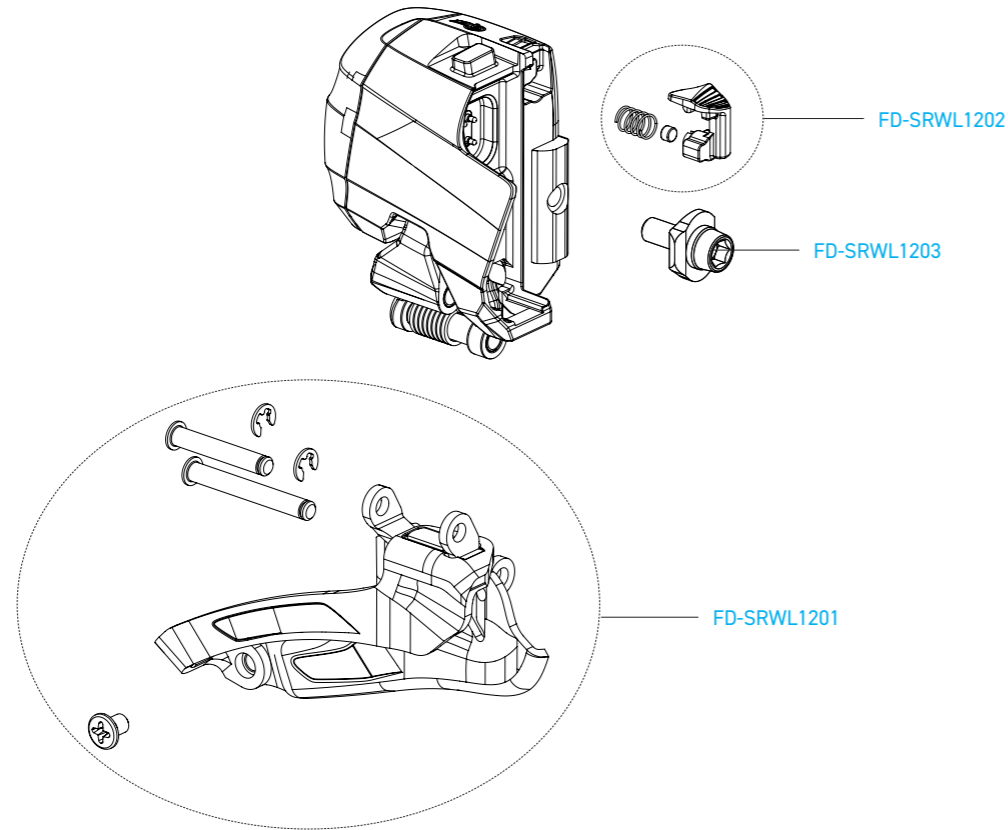


FC-PO100
KIT VITI / SCREWS&NUTS

B	165 mm	FC-SRWL12165
	170 mm	FC-SRWL12170
	172,5 mm	FC-SRWL12172
	175 mm	FC-SRWL12175
C	Z29 for 45	FC-SRWL1229
	Z32 for 48	FC-SRWL1232
	Z34 for 50	FC-SRWL1234
D	Z45 for 29	FC-SRWL1245
	Z48 for 32	FC-SRWL1248
	Z50 for 34	FC-SRWL1250

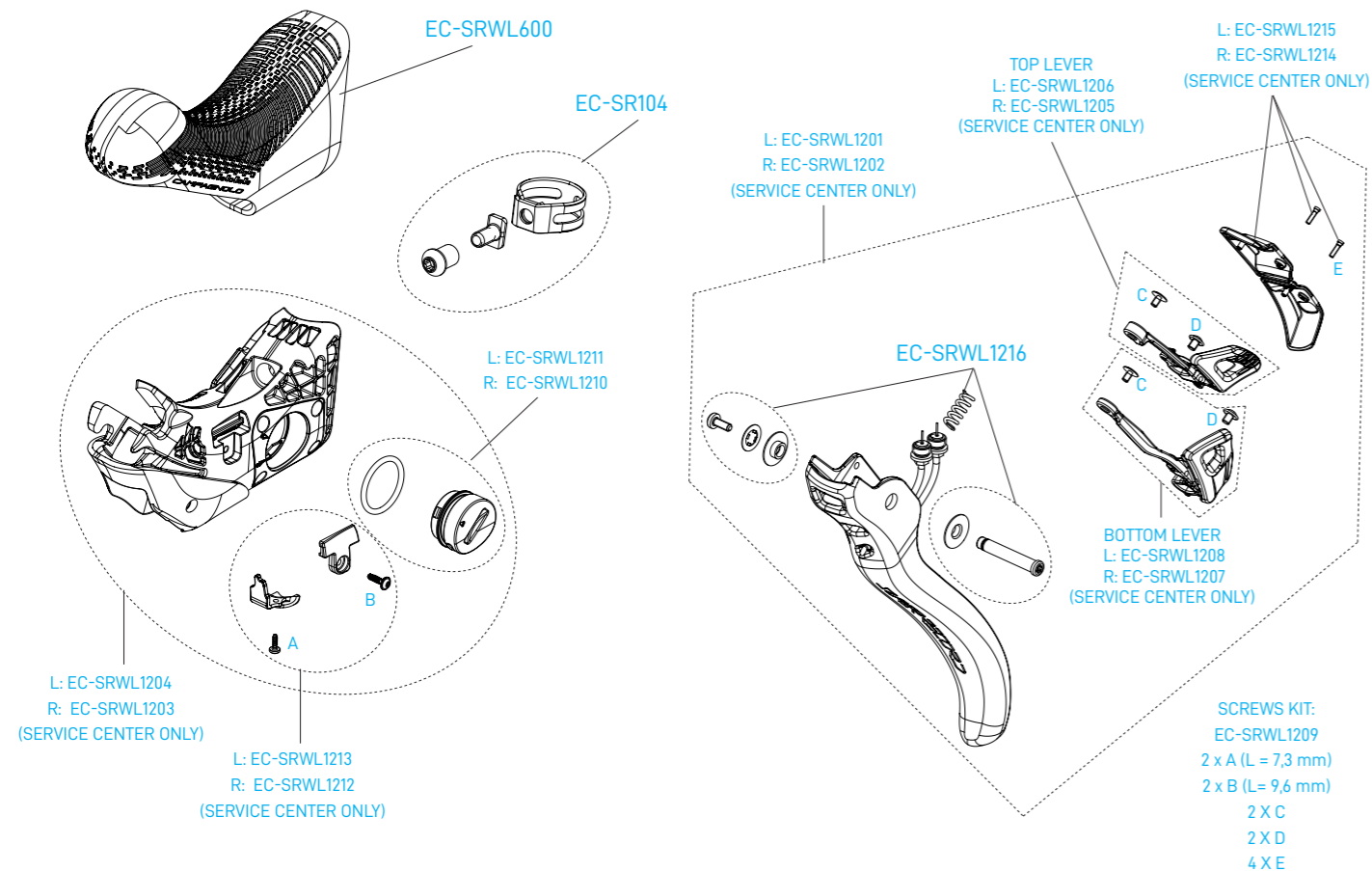


FRONT AND REAR DERAILLEUR BATTERY: see components price list
 BATTERIE DEL CAMBIO E DERAGLIATORE: vedi listino prezzi componenti

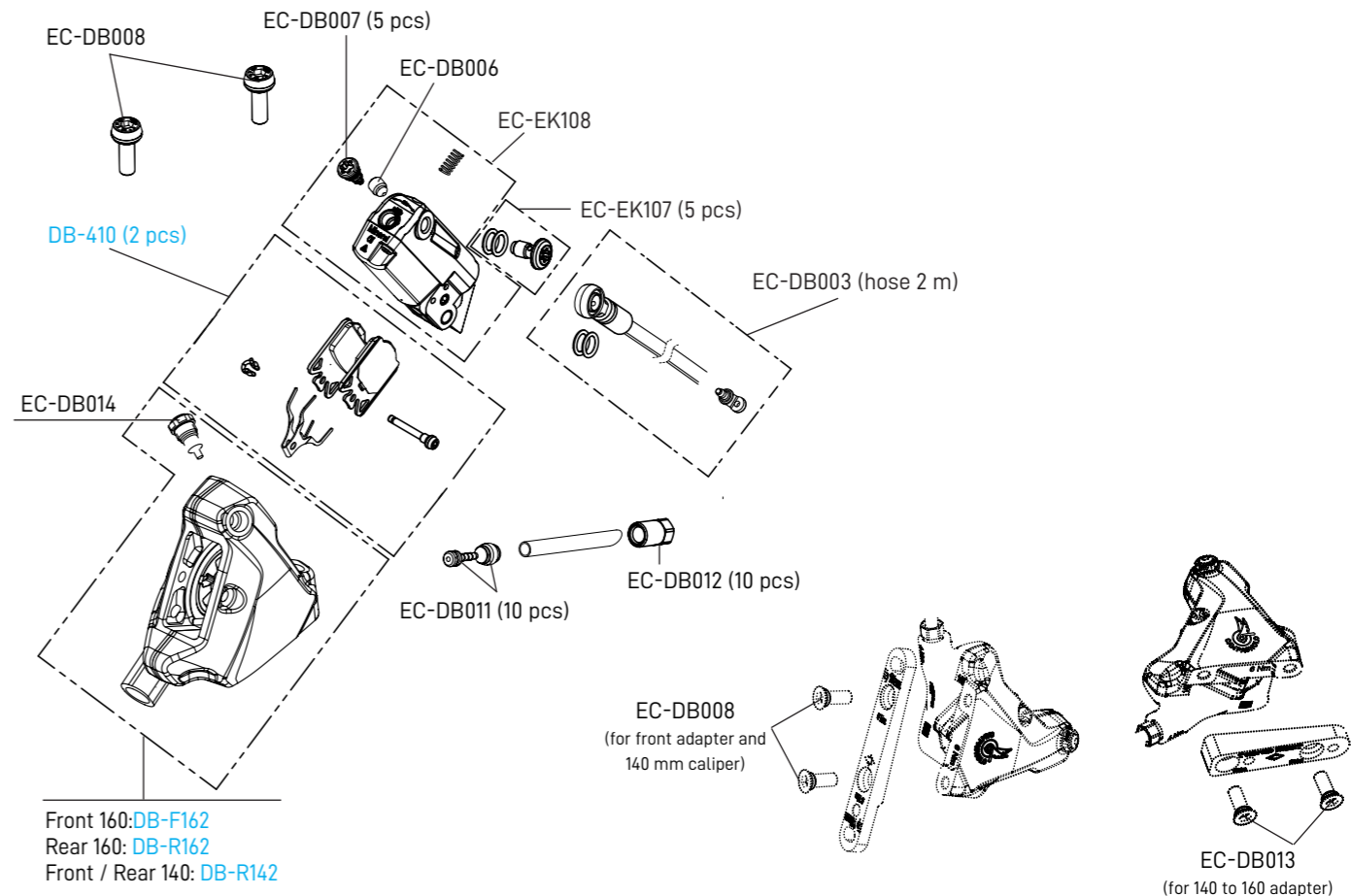


BA-WL03
 Cavo di ricarica / Recharge cable

SUPER RECORD 12S WIRELESS

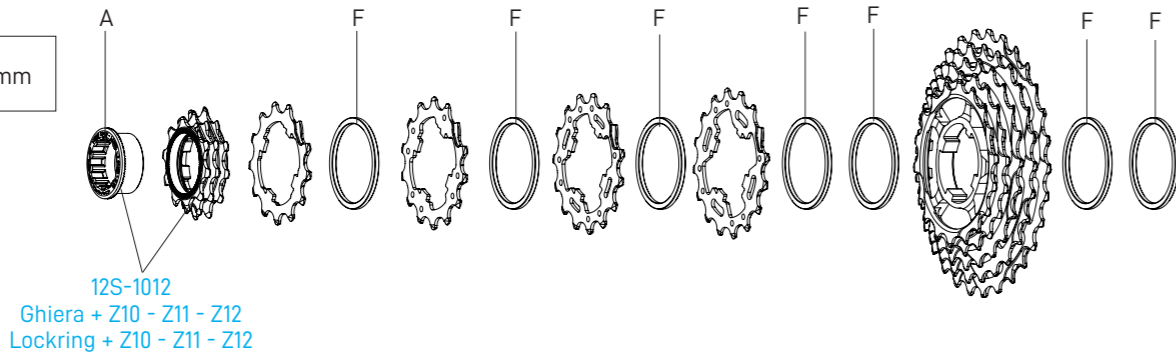


SUPER RECORD 12S WIRELESS



SUPER RECORD 12S WIRELESS

A	CS-700	
F	5-CS-812 (5 pcs)	2,0 mm



Model	Hub	Sprocket 1	Sprocket 2	Sprocket 3	Sprocket 4	Sprocket 5	Sprocket 6	Sprocket 7	Sprocket 8	Sprocket 9	Sprocket 10	Sprocket 11	Sprocket 12
10-25	A	A + 10-11-12*	13A	F	14A	F	15A	F	16A	F	Z17-Z19-Z21-Z23-Z25*		
		12S-1012	12S-013	F	12S-014	F	12S-015	F	12S-016	F	12S-1725		
10-27	A	A + 10-11-12*	13A	F	14A	F	15A	F	16A	F	Z17-Z19-Z21-Z24-Z27*		
		12S-1012	12S-013	F	12S-014	F	12S-015	F	12S-016	F	12S-1727		
10-29	A	A + 10-11-12*	13A	F	14A	F	15A	F	16A	F	Z18-Z20-Z23-Z26-Z29*		
		12S-1012	12S-013	F	12S-014	F	12S-015	F	12S-016	F	12S-1829		

* monoblock piece

GHIERE - LOCKRINGS - ECROUS - VERSCHLUSSRING

	CODE CODICE	TYPE TIPO	RANGE GAMMA	HUB COMPATIBILITY COMPATIBILITÀ MOZZI	
		13s	steel / acciaio	2021	integrated in sprocket sets 9-36 and 9-42 / integrata nei pacchi pignoni 9-36/9-42
	CS-700	12s / 13s	alloy/alluminio	2021	solo per pacchi pignoni 12-13s con primo pignone 10 denti / only 12-13s sprocket cassette with 10 teeth first sprocket
	CS-702	13s	alloy/alluminio	2021	only 11-12s (1° sprocket Z11) sprocket sets, for N3W body with adapter / solo pacchi pignoni 11-12s con 1° pignone Z11, per corpetto r.l. N3W con adattatore
	CS-703	13s	alloy/alluminio	2021	only 11-12s (1° sprocket Z12) sprocket sets, for N3W body with adapter / solo cassette pignoni 11-12s con 1° pignone Z12, per corpetto r.l. N3W con adattatore
			alloy/alluminio	2021	To the N3W f.w. body, to be compatible with 11-12s, you need: N3W adapter + lockring (CS-702): AC21-N3W (See component price list): Corpetto r.l. N3W, per essere compatibile 11-12s, serve: adattatore N3W + ghiera (CS-702): AC21-N3W (Vedi Listino componenti)

RIM		
	FRONT / REAR RIM	WH-HYDBF (with labels and nipples) / WH-HYDBR (with labels and nipples)
	VALVE HOLE	6,5 mm
	2-WAY FIT™ VALVE	VA-2WF50
	VALVE HOLE BUSHING	WH-BUU002 (5 pcs.)
	DIAMETER	700C (622 x 21C)

SPOKES		
FRONT RIGHT L=281,5	WH-02HUDB	4 spokes + 4 nipples
FRONT LEFT / REAR RIGHT L=283,5	WH-01HUDB	4 spokes + 4 nipples + 4 washers
REAR LEFT L=294,5	WH-03HUDB	4 spokes + 4 nipples
NIPPLES	WH-05BWU45	10 pieces
NIPPLE INSERT + SPANNER	UT-WH290	magnet-attractor for nipple + wrench
NIPPLE MAGNET	UT-WH050	nipple-guide

ACCESSORIES		
Spacer for HG11 FW body	FH-BUU001	5 pcs - to be used only with 9/10s sprockets
AFS™ lockring	4-M1-101B	to fix the rotor

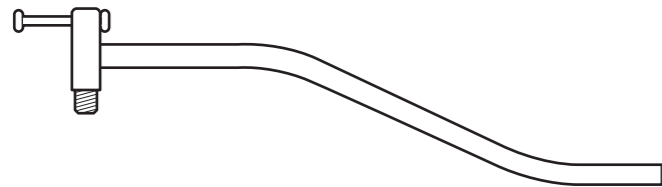
HUBS		
	<div style="border: 1px solid black; padding: 5px; width: fit-content;"> <p>HB-B0100 CULT™ KIT 2 x HB-B0021, 2 x F, 2 x G, 2 x H</p> </div>	<div style="border: 1px solid black; padding: 5px; width: fit-content;"> <p>HB-HY100 CULT™ KIT 2 x HB-RE021, 2 x F, 2 x G, 2 x H</p> </div>
<p>Complete FW body Ø33 mm/ Corpetti RL completi Ø33 mm FH-HGA33USB (HG 9/12) - FH-N3WA33USB (Campagnolo N3W) - FH-XDRA33USB (XDR)</p>		

RIM		
	FRONT / REAR RIM	WH-HYDB01F (with labels) / WH-HYDB01R (with labels)
	VALVE HOLE	6,5 mm
	2-WAY FIT™ VALVE	VA-2WF50
	VALVE HOLE BUSHING	WH-BUU002 (5 pcs.)
	DIAMETER	700C (622 x 21C)

SPOKES		
FRONT RIGHT L=273,5	WH-01HYDB	4 spokes + 4 nipples
FRONT LEFT L=271,5	WH-02HYDB	4 spokes + 4 nipples + 4 washers
REAR RIGHT L=274,5	WH-03HYDB	4 spokes + 4 nipples + 4 washers
REAR LEFT L=285,5	WH-04HYDB	4 spokes + 4 nipples
NIPPLES	WH-04LV	10 pieces
NIPPLE INSERT	UT-WH160	magnet-attractor for nipple
NIPPLE MAGNET	UT-WH050	nipple-guide
SPOKE SPANNER	UT-WH090	spoke wrenches

ACCESSORIES		
Spacer for HG11 FW body	FH-BUU001	5 pcs - to be used only with 9/10s sprockets
AFS™ lockring	4-M1-101B	to fix the rotor

HUBS		
	<p>Complete FW body Ø33 mm/ Corpetti RL completi Ø33 mm</p> <p>FH-HGA33 (HG 9/12) - FH-N3WA33 (Campagnolo N3W) - FH-XDRA33 (XDR)</p>	<div style="border: 1px solid black; padding: 5px; width: fit-content;"> <p>HB-RE100 HUB KIT</p> <p>2 x HB-RE021</p> <p>2 x HB-RE022</p> <p>2 x HB-RE124</p> <p>2 x HB-RE023</p> </div>

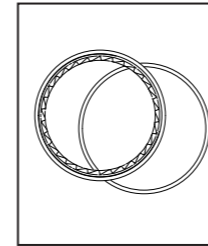


UT-VS030
 Ricontra allineamento occhiello attacco cambio
 Rear derailleur hanger alignment tool

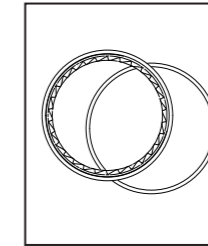


UT-FD120
 Dima per corretto posizionamento deragliatore (2 pz - per Z50 e Z52-Z53)
 Front derailleur alignment tool (2 pcs - for Z50 and Z52-Z53)

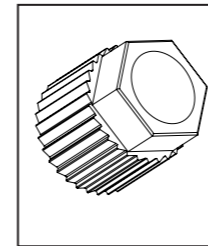
UT-FD121
 Dima per corretto posizionamento deragliatore (1 pz - per Z45 e Z48)
 Front derailleur alignment tool (1 pc - for Z45 and Z48)



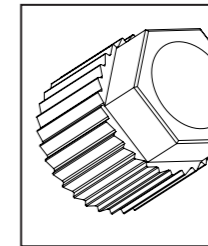
HB-B0031 (3 pcs)
 Inserto a cremagliera - Road
 Hub ratchet ring tool - Road
 (SERVICE CENTER only)



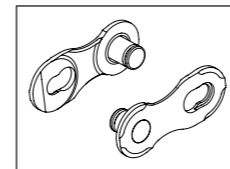
FH-FWB3307 (3 pcs)
 Inserto a cremagliera - SHAMAL CARBON
 Hub ratchet ring tool - SHAMAL CARBON
 (SERVICE CENTER only)



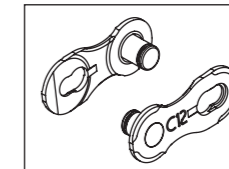
UT-HU140
 Attrezzo per smontaggio cremagliera - Road
 Hub ratchet ring tool - Road
 (SERVICE CENTER only)



UT-HU141
 Attrezzo per smontaggio cremagliera - SHAMAL CARBON
 Hub ratchet ring tool - SHAMAL CARBON
 (SERVICE CENTER only)



CN-SR701
 C-Link™ per catene 13s (1 pz)
 C-Link™ for 13s chains only (1 pcs)



CN-SR702
 C-Link™ per catene 12s (1 pz)
 C-Link™ for 12s chains only (1 pcs)