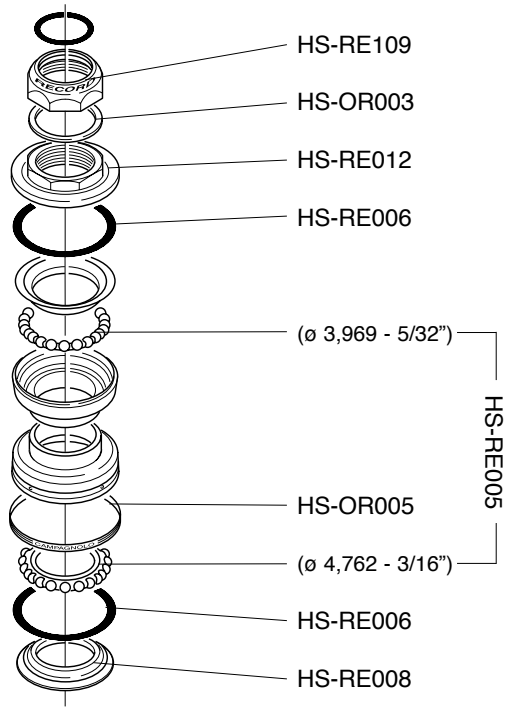


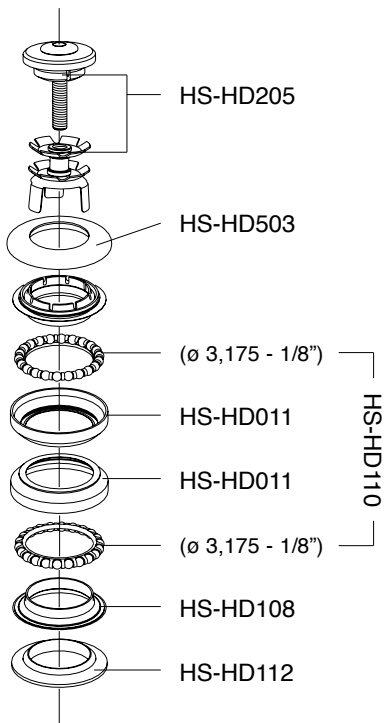
RECORD™
HS7-RE



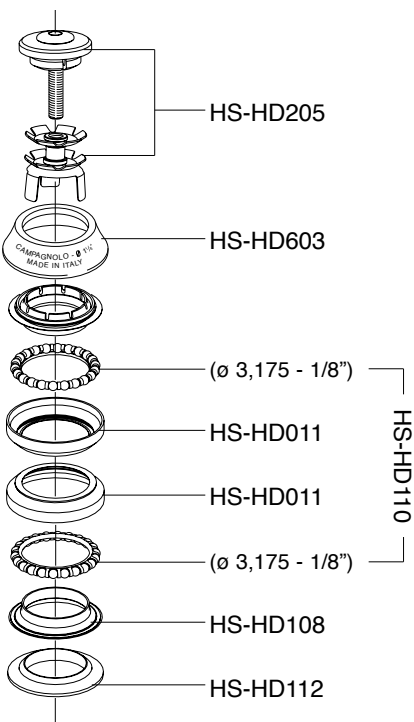
HEADSET

HEADSET

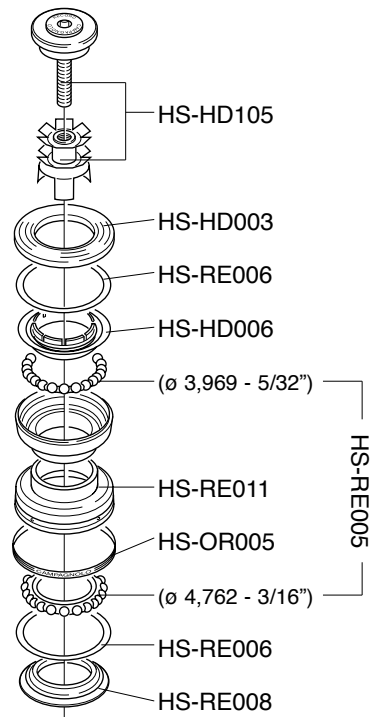
RECORD™
Hiddenset™
 1 1/8": HS03-REHIOS



RECORD™
Hiddenset™ TTC™
 1 1/8": HS03-REHIOST



RECORD™ Threadless™
 1": HS00-RETH

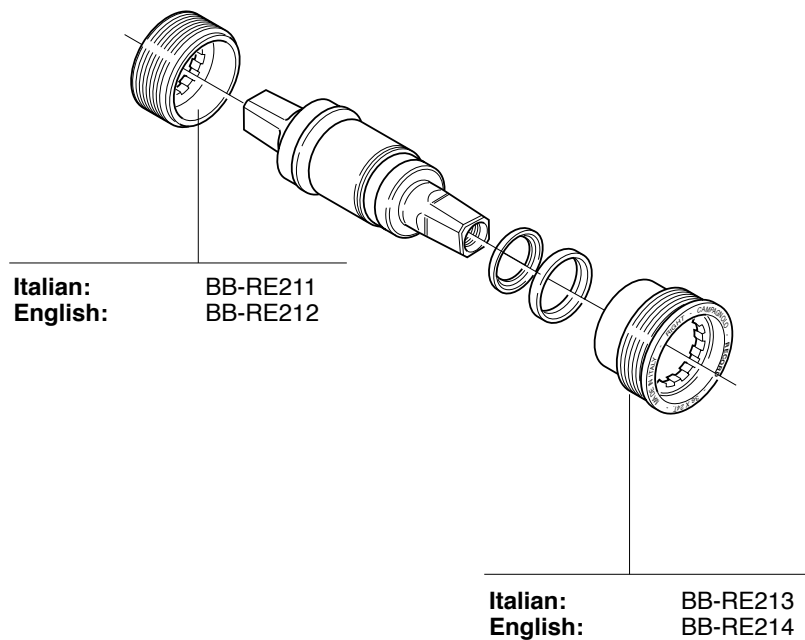


RECORD™ PISTA™

111 mm

BB01-REPIIT

BB01-REPIBC



SUPER RECORD™ **ULTRA-TORQUE™ Carbon 11s** **FC11-SR...C**

FC-SR200
KIT VITI / SCREWS&NUTS
4 AA + 1 AB + 1 AC

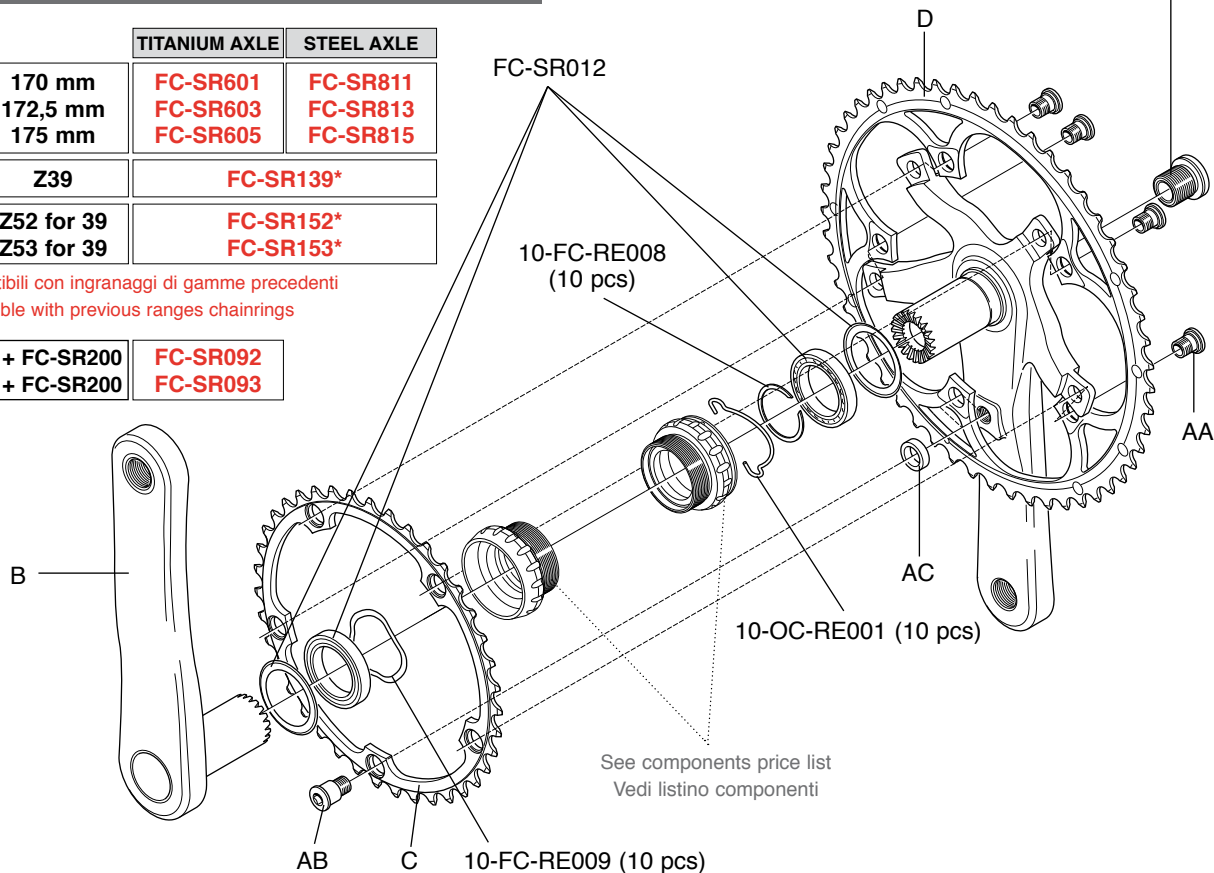
FC-SR007
(ONLY for Titanium version)
FC-RE007
(ONLY for steel version)

		TITANIUM AXLE	STEEL AXLE
B	170 mm	FC-SR601	FC-SR811
	172,5 mm	FC-SR603	FC-SR813
	175 mm	FC-SR605	FC-SR815
C	Z39	FC-SR139*	
D	Z52 for 39	FC-SR152*	
	Z53 for 39	FC-SR153*	

* non compatibili con ingranaggi di gamme precedenti

* not compatible with previous ranges chainrings

Z39 + Z52 + FC-SR200	FC-SR092
Z39 + Z53 + FC-SR200	FC-SR093



SUPER RECORD™
ULTRA-TORQUE™ CT™ Carbon 11s
FC11-SR...C

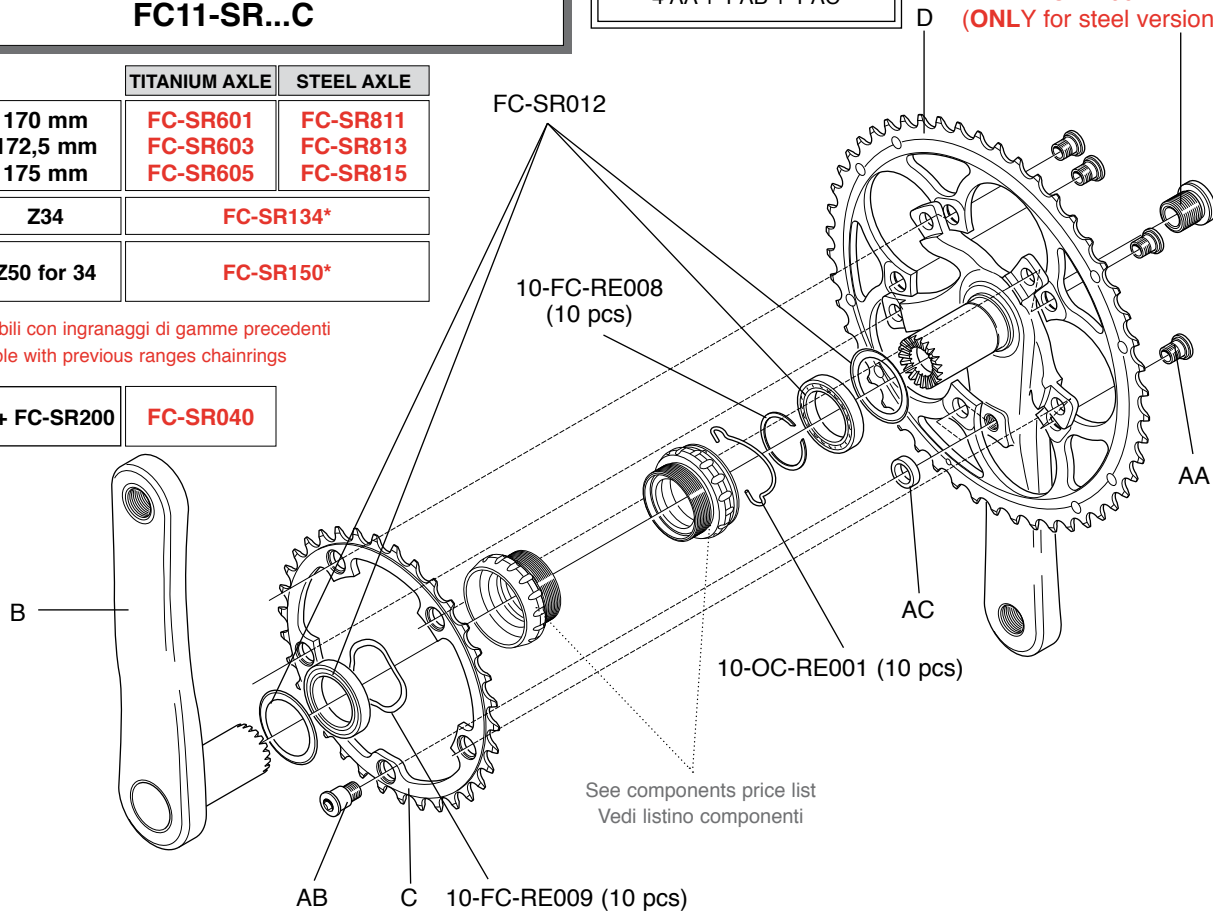
FC-SR200
KIT VITI / SCREWS&NUTS
 4 AA + 1 AB + 1 AC

FC-SR007
(ONLY for Titanium version)
FC-RE007
(ONLY for steel version)

		TITANIUM AXLE	STEEL AXLE
B	170 mm	FC-SR601	FC-SR811
	172,5 mm	FC-SR603	FC-SR813
	175 mm	FC-SR605	FC-SR815
C	Z34	FC-SR134*	
D	Z50 for 34	FC-SR150*	

* non compatibili con ingranaggi di gamme precedenti
 * not compatible with previous ranges chainrings

Z34 + Z50 + FC-SR200 **FC-SR040**



CRANKSET

RECORD™ ULTRA-TORQUE™

Carbon 11s FC11-RE...C

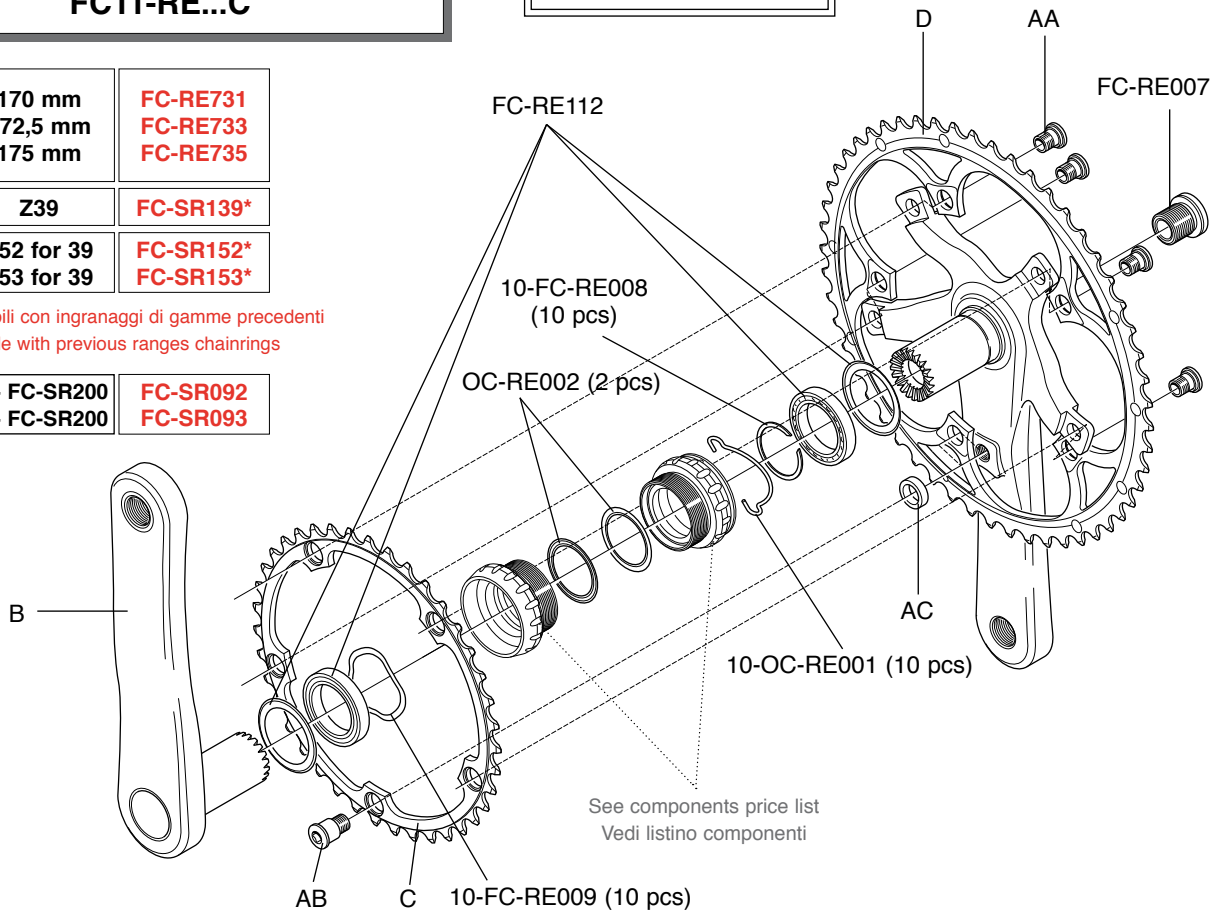
FC-SR200 KIT VITI / SCREWS&NUTS

4 AA + 1 AB + 1 AC

B	170 mm	FC-RE731
	172,5 mm	FC-RE733
	175 mm	FC-RE735
C	Z39	FC-SR139*
D	Z52 for 39	FC-SR152*
	Z53 for 39	FC-SR153*

* non compatibili con ingranaggi di gamme precedenti
* not compatible with previous ranges chainrings

Z39 + Z52 + FC-SR200	FC-SR092
Z39 + Z53 + FC-SR200	FC-SR093



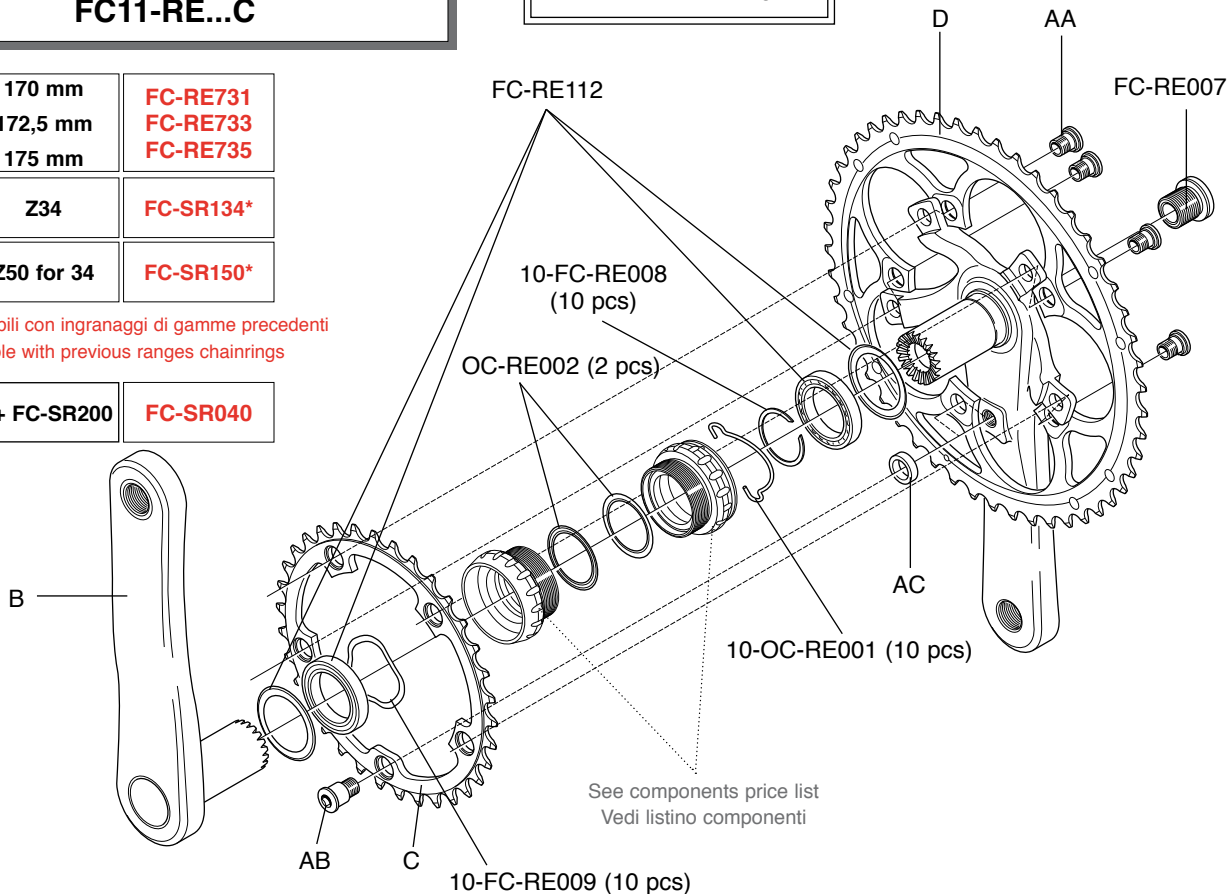
RECORD™ ULTRA-TORQUE™
CT™ Carbon 11s
FC11-RE...C

FC-SR200
KIT VITI / SCREWS&NUTS
 4 AA + 4 AB + 1 AC

B	170 mm	FC-RE731
	172,5 mm	FC-RE733
	175 mm	FC-RE735
C	Z34	FC-SR134*
D	Z50 for 34	FC-SR150*

* non compatibili con ingranaggi di gamme precedenti
 * not compatible with previous ranges chainrings

Z34 + Z50 + FC-SR200	FC-SR040
----------------------	-----------------



CRANKSET

CRANKSET

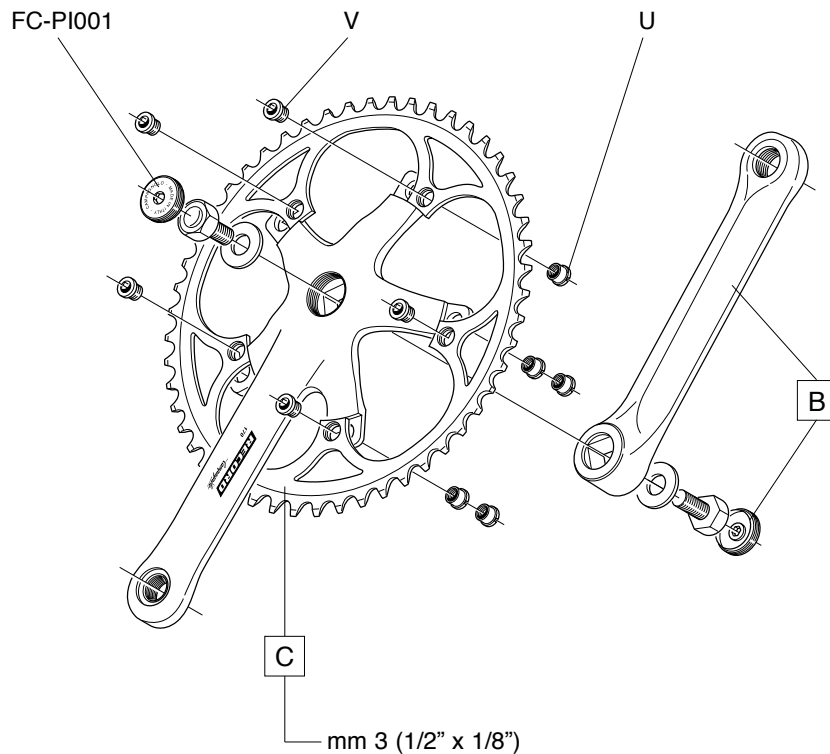
RECORD™
PISTA™
FC01-REPL...

FC-PI100
KIT VITI / SCREWS&NUTS

5 U + 5 V

B	165 mm	FC-PI465
	170 mm	FC-PI470

C	Z47	FC-PI047
	Z48	FC-PI048
	Z49	FC-PI049
	Z50	FC-PI050
	Z51	FC-PI051
	Z52	FC-PI052



CHORUS™ ULTRA-TORQUE™

Carbon 11s FC11-CH...C

FC-SR200 KIT VITI / SCREWS&NUTS

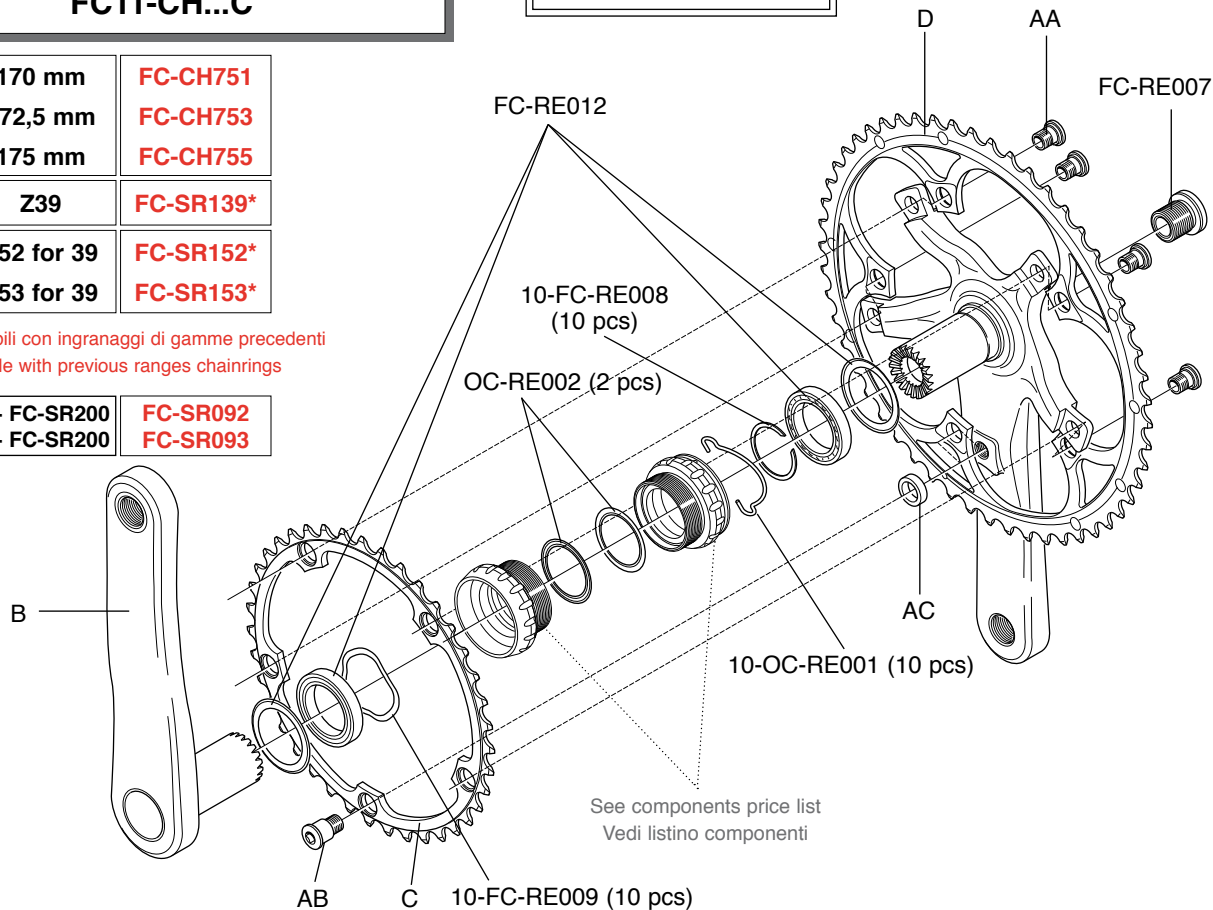
4 AA + 1 AB + 1 AC

B	170 mm	FC-CH751
	172,5 mm	FC-CH753
	175 mm	FC-CH755
C	Z39	FC-SR139*
D	Z52 for 39	FC-SR152*
	Z53 for 39	FC-SR153*

* non compatibili con ingranaggi di gamme precedenti

* not compatible with previous ranges chainrings

Z39 + Z52 + FC-SR200	FC-SR092
Z39 + Z53 + FC-SR200	FC-SR093



CRANKSET

CHORUS™ ULTRA-TORQUE™
CT™ Carbon 11s
FC11-CH...C

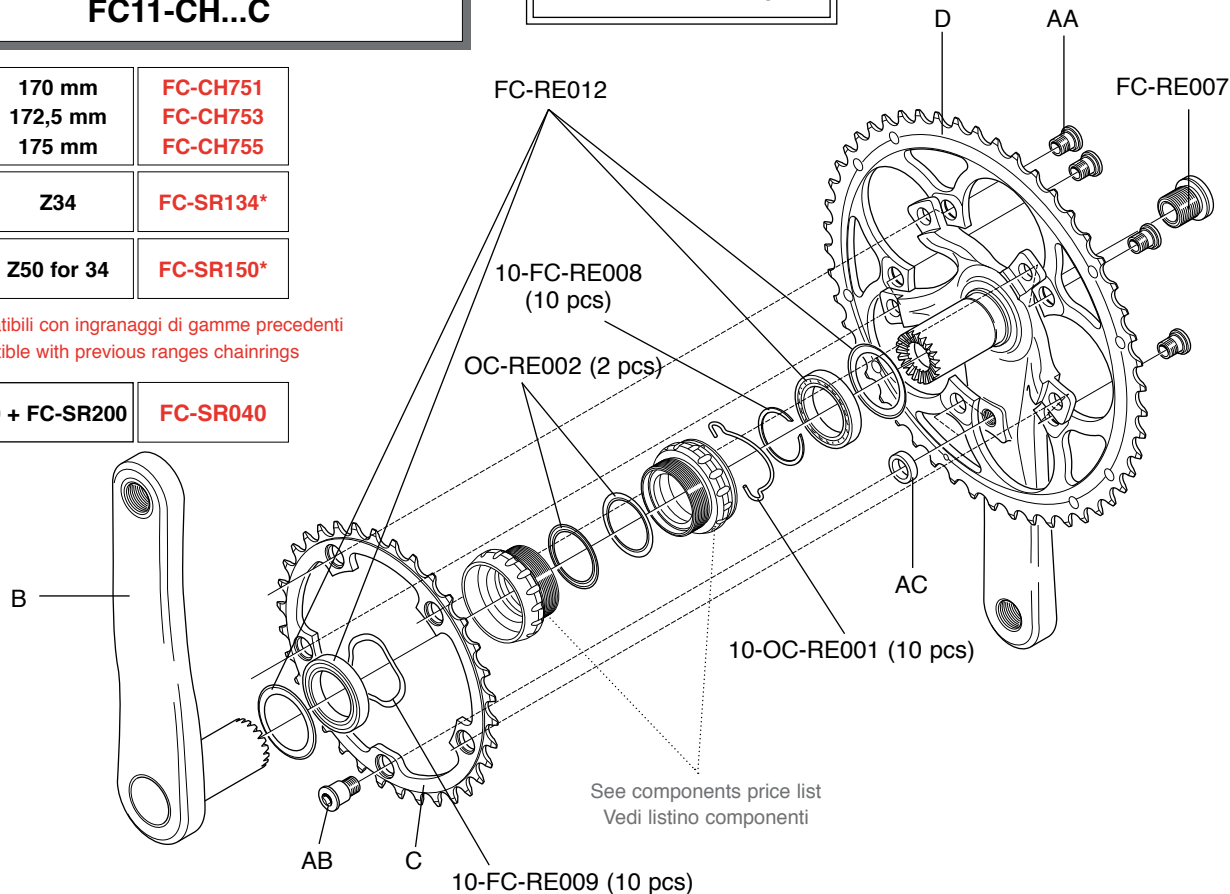
FC-SR200
KIT VITI / SCREWS&NUTS

4 AA + 1 AB + 1 AC

B	170 mm	FC-CH751
	172,5 mm	FC-CH753
	175 mm	FC-CH755
C	Z34	FC-SR134*
D	Z50 for 34	FC-SR150*

* non compatibili con ingranaggi di gamme precedenti
 * not compatible with previous ranges chainrings

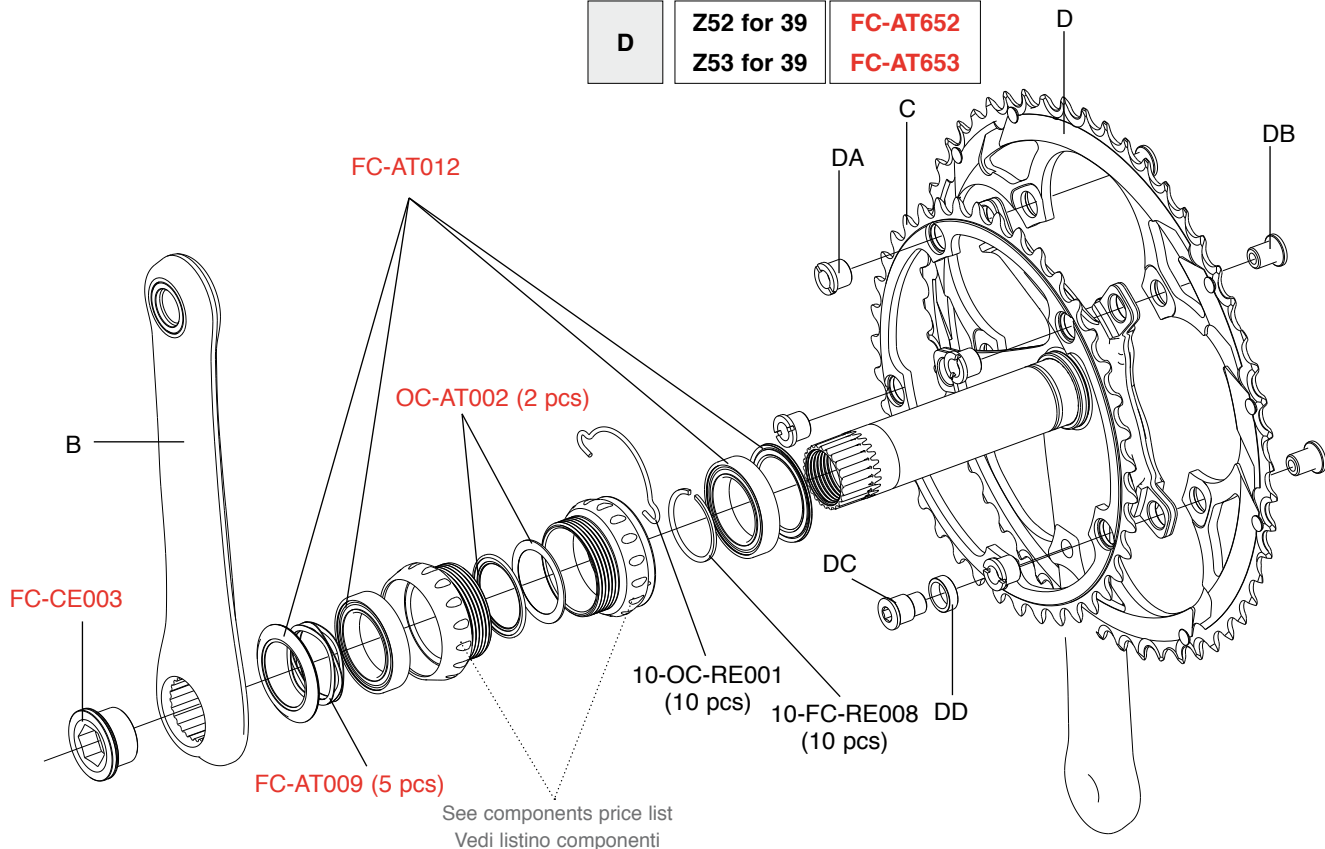
Z34 + Z50 + FC-SR200	FC-SR040
-----------------------------	-----------------



ATHENA™ POWER-TORQUE™
Carbon 11s
FC11-AT...C

B	170 mm	FC-AT763
	172,5 mm	FC-AT765
	175 mm	FC-AT767
C	Z39	FC-AT139
D	Z52 for 39	FC-AT652
	Z53 for 39	FC-AT653

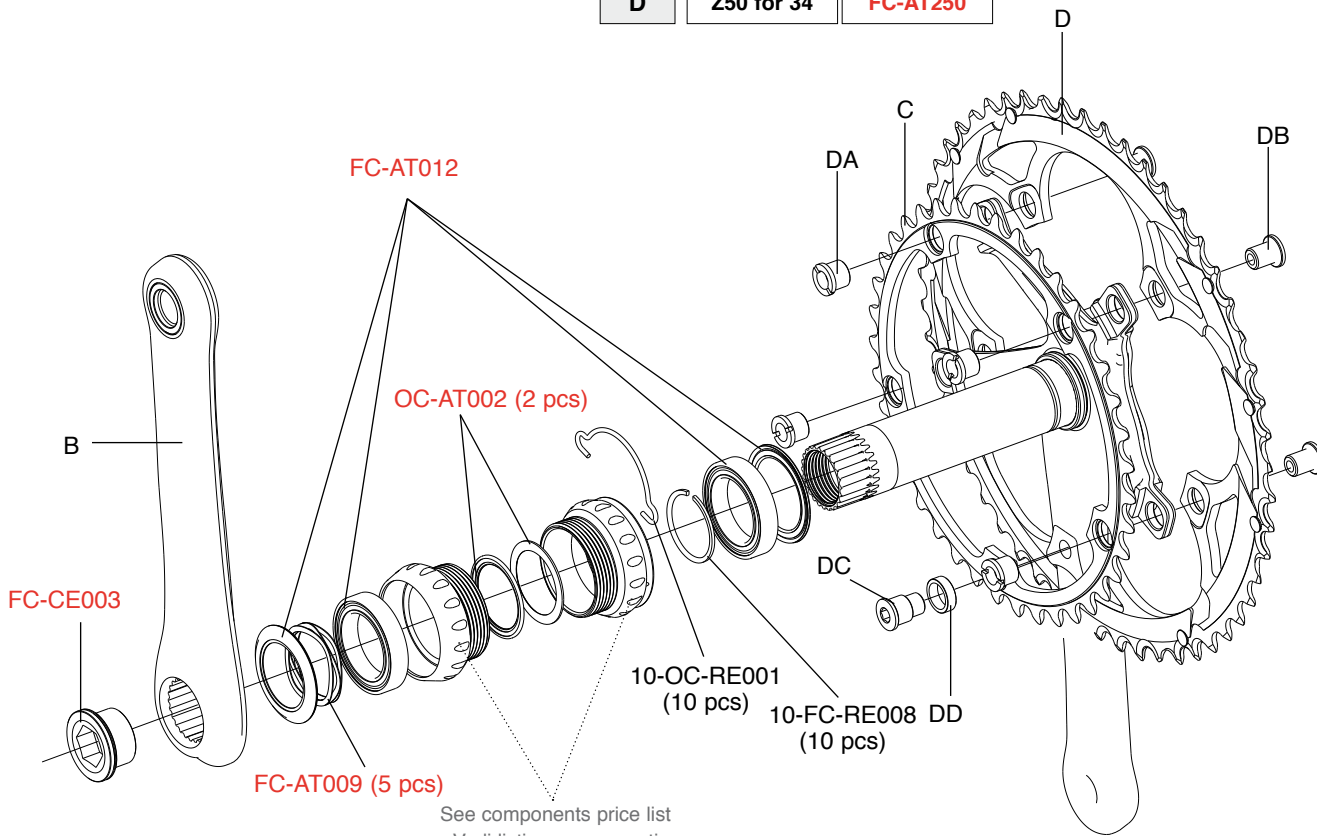
FC-AT300 KIT VITI / SCREWS&NUTS
4 DA + 4 DB + 1 DC + 1 DD



ATHENA™ POWER-TORQUE™
CT™ Carbon 11s
FC11-AT...C

B	170 mm	FC-AT763
	172,5 mm	FC-AT765
	175 mm	FC-AT767
C	Z34	FC-AT134
D	Z50 for 34	FC-AT250

<p>FC-AT300 KIT VITI / SCREWS&NUTS 4 DA + 4 DB + 1 DC + 1 DD</p>
--

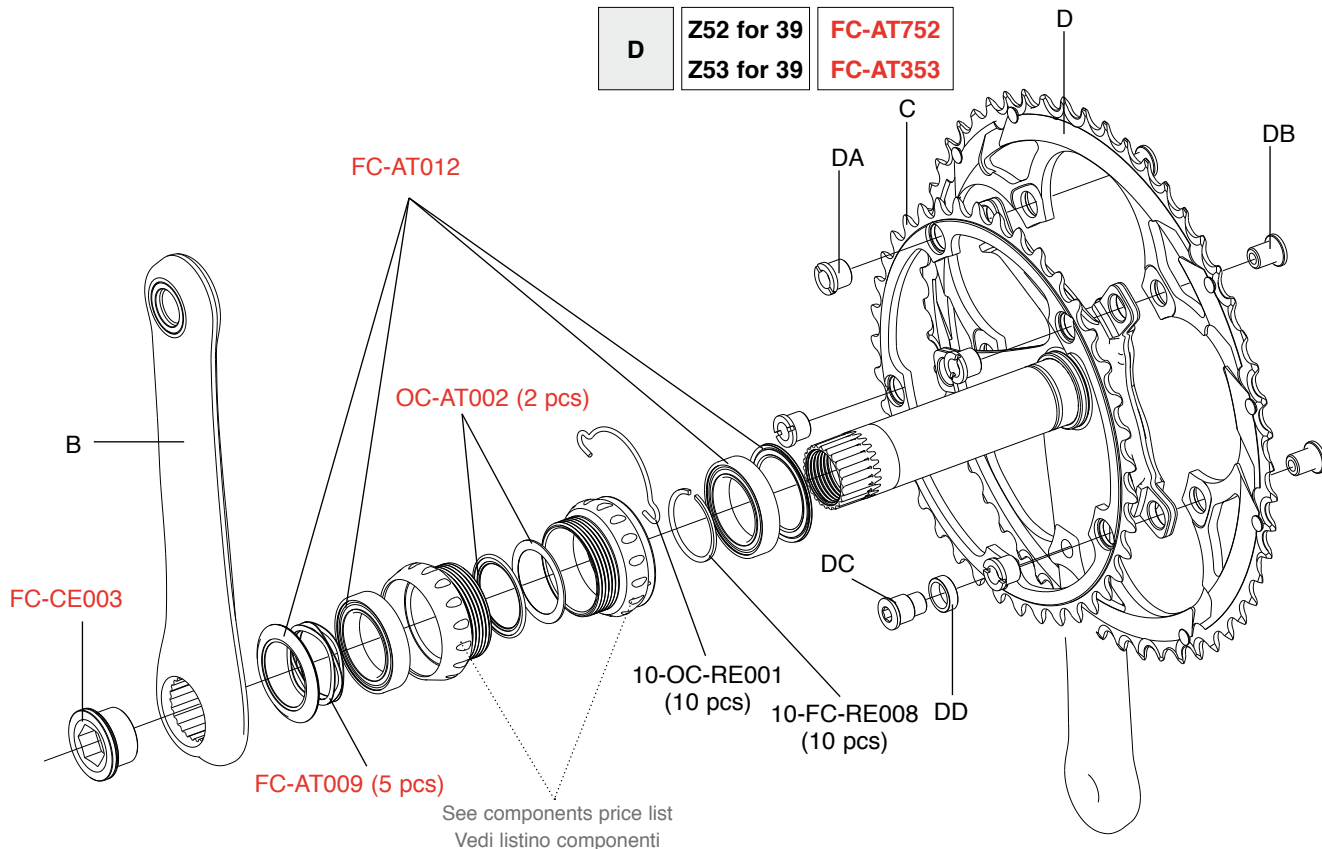


See components price list
 Vedi listino componenti

ATHENA™ POWER-TORQUE™
11s
FC11-AT...

B	170 mm	FC-AT935
	172,5 mm	FC-AT937
	175 mm	FC-AT939
C	Z39	FC-AT239
D	Z52 for 39	FC-AT752
	Z53 for 39	FC-AT353

FC-AT200
KIT VITI / SCREWS&NUTS
4 DA + 4 DB + 1 DC + 1 DD

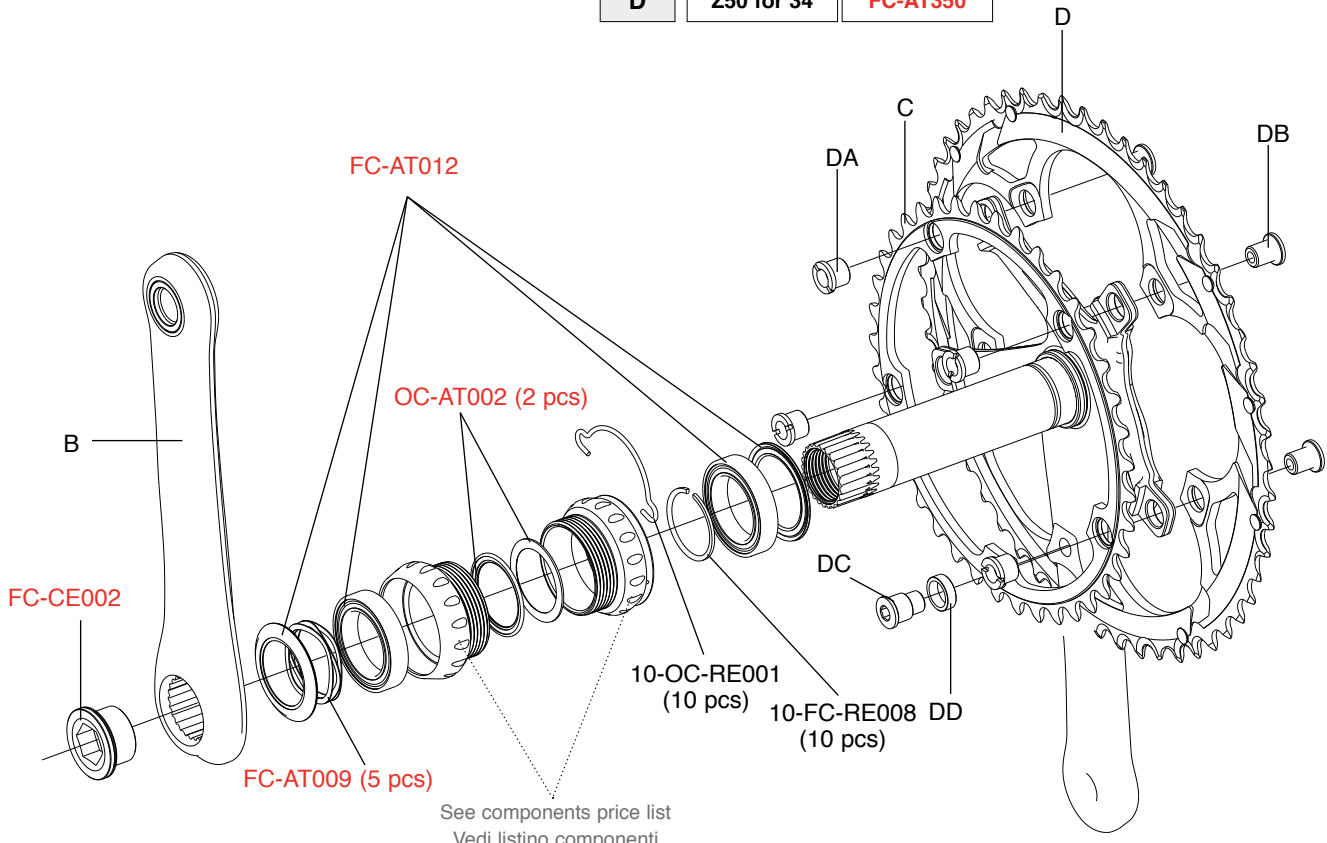


CRANKSET

ATHENA™ POWER-TORQUE™
CT™ 11s
FC11-AT...

B	170 mm	FC-AT935
	172,5 mm	FC-AT937
	175 mm	FC-AT939
C	Z34	FC-AT234
D	Z50 for 34	FC-AT350

FC-AT200
KIT VITI / SCREWS&NUTS
 4 DA + 4 DB + 1 DC + 1 DD

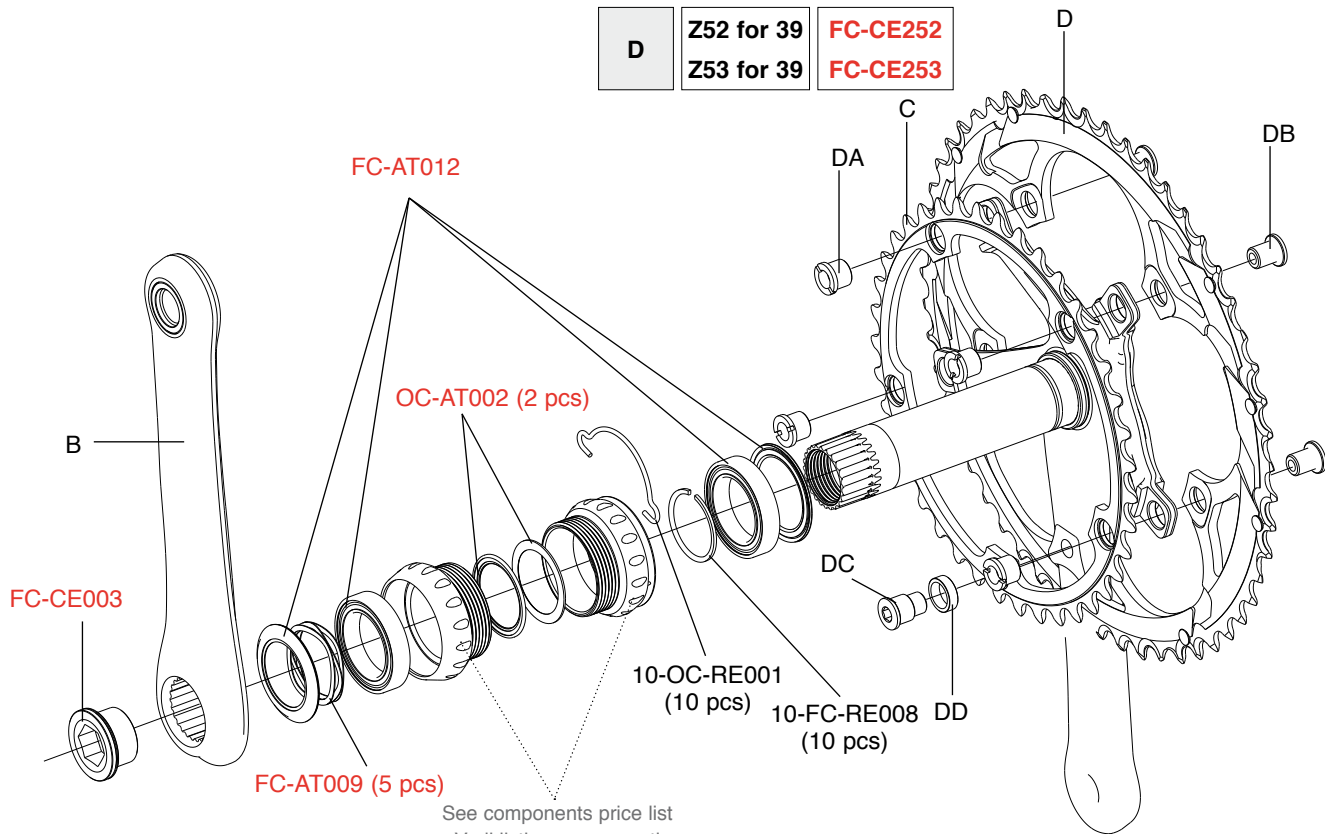


See components price list
 Vedi listino componenti

CENTAUR™ POWER-TORQUE™
Carbon 10s
FC11-CE...C

B	170 mm	FC-CE775
	172,5 mm	FC-CE777
	175 mm	FC-CE779
C	Z39	FC-CE139
D	Z52 for 39	FC-CE252
	Z53 for 39	FC-CE253

FC-AT300
KIT VITI / SCREWS&NUTS
 4 DA + 4 DB + 1 DC + 1 DD

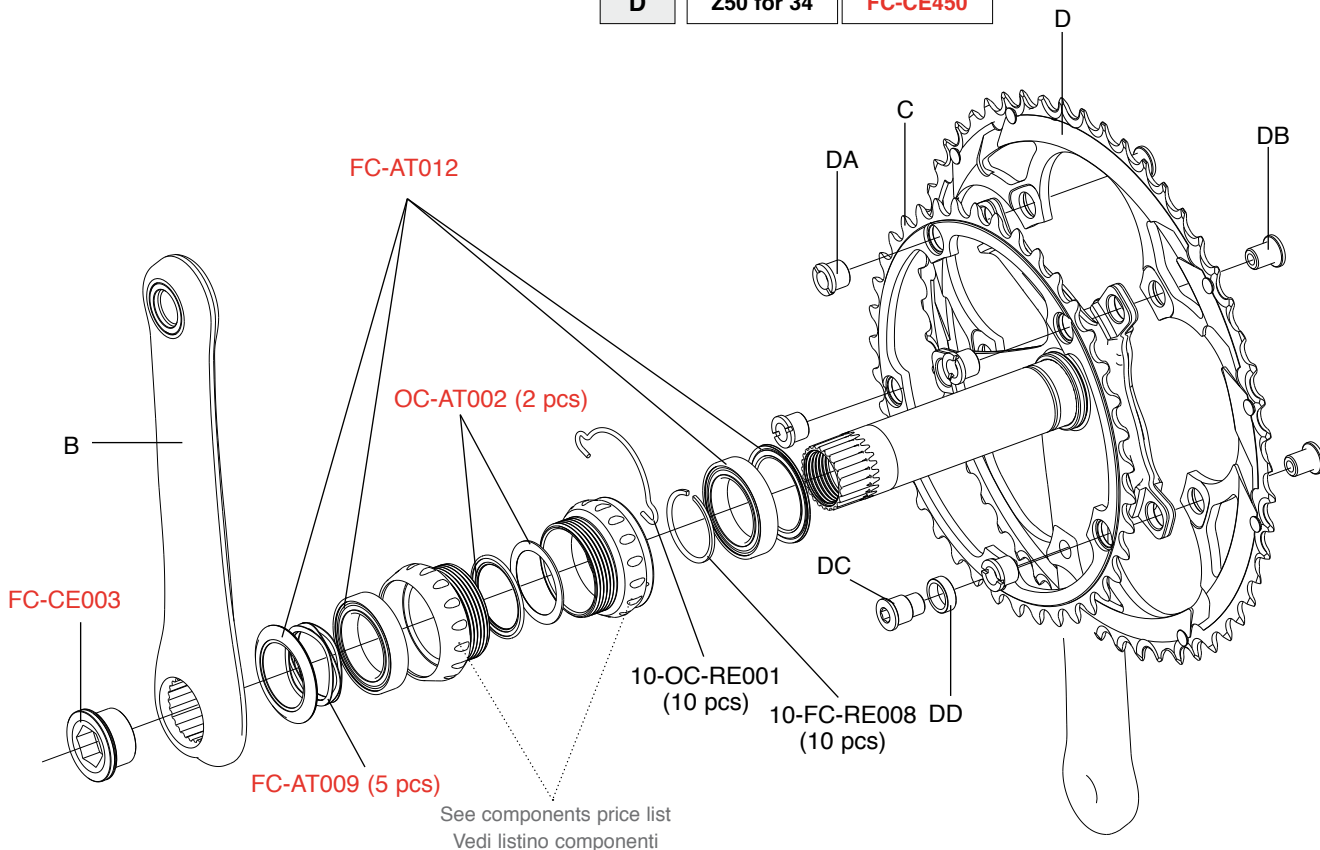


See components price list
 Vedi listino componenti

CENTAUR™ POWER-TORQUE™
CT™ Carbon 10s
FC11-CE...C

B	170 mm	FC-CE775
	172,5 mm	FC-CE777
	175 mm	FC-CE779
C	Z34	FC-CE234
D	Z50 for 34	FC-CE450

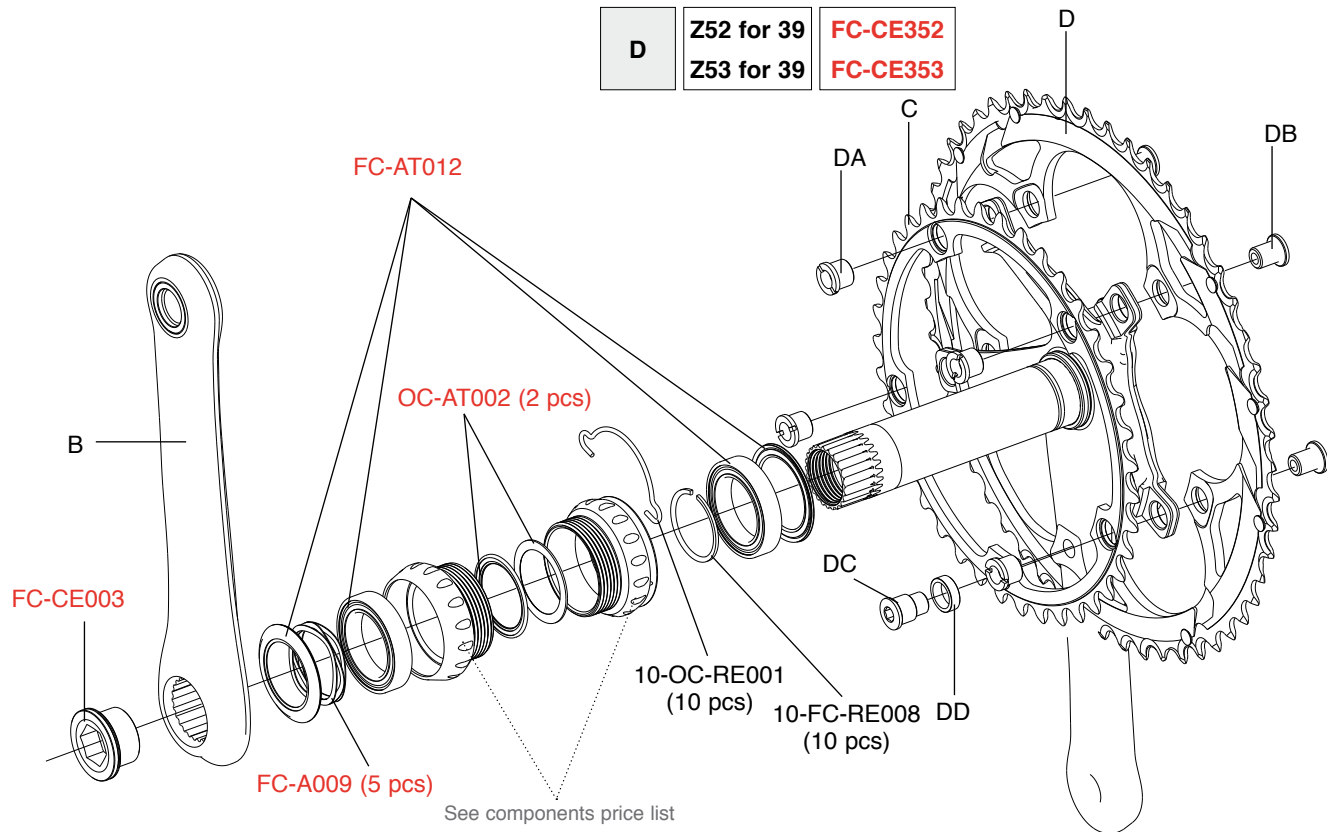
FC-AT300
KIT VITI / SCREWS&NUTS
4 DA + 4 DB + 1 DC + 1 DD



CENTAUR™ POWER-TORQUE™
10s
FC11-CE...

B	170 mm	FC-CE461
	172,5 mm	FC-CE463
	175 mm	FC-CE465
C	Z39	FC-CE239
D	Z52 for 39	FC-CE352
	Z53 for 39	FC-CE353

FC-AT300
KIT VITI / SCREWS&NUTS
 4 DA + 4 DB + 1 DC + 1 DD



See components price list
 Vedi listino componenti

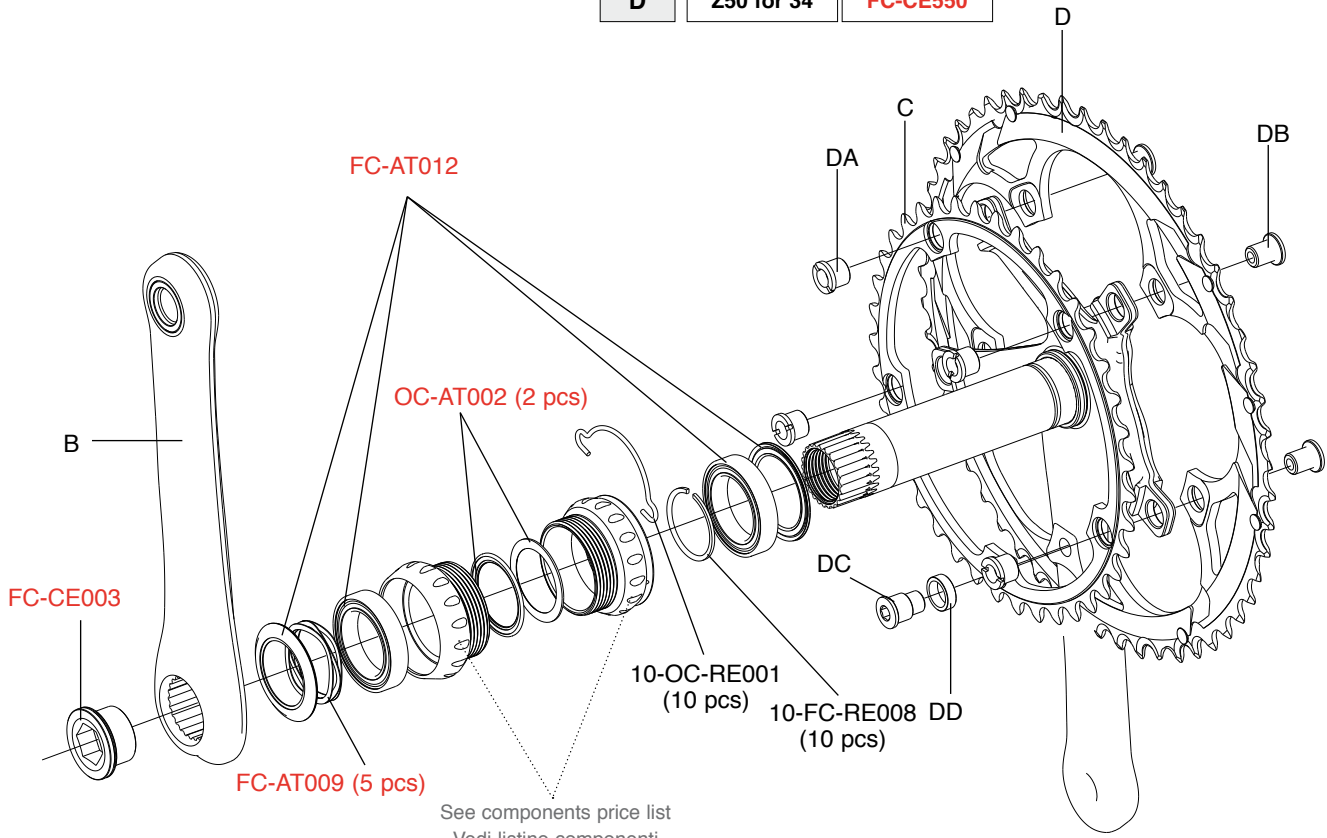
CRANKSET

CRANKSET

CENTAUR™ POWER-TORQUE™
CT™ 10s
FC11-CE...

B	170 mm	FC-CE461
	172,5 mm	FC-CE463
	175 mm	FC-CE465
C	Z34	FC-CE334
D	Z50 for 34	FC-CE550

FC-AT300
KIT VITI / SCREWS&NUTS
 4 DA + 4 DB + 1 DC + 1 DD



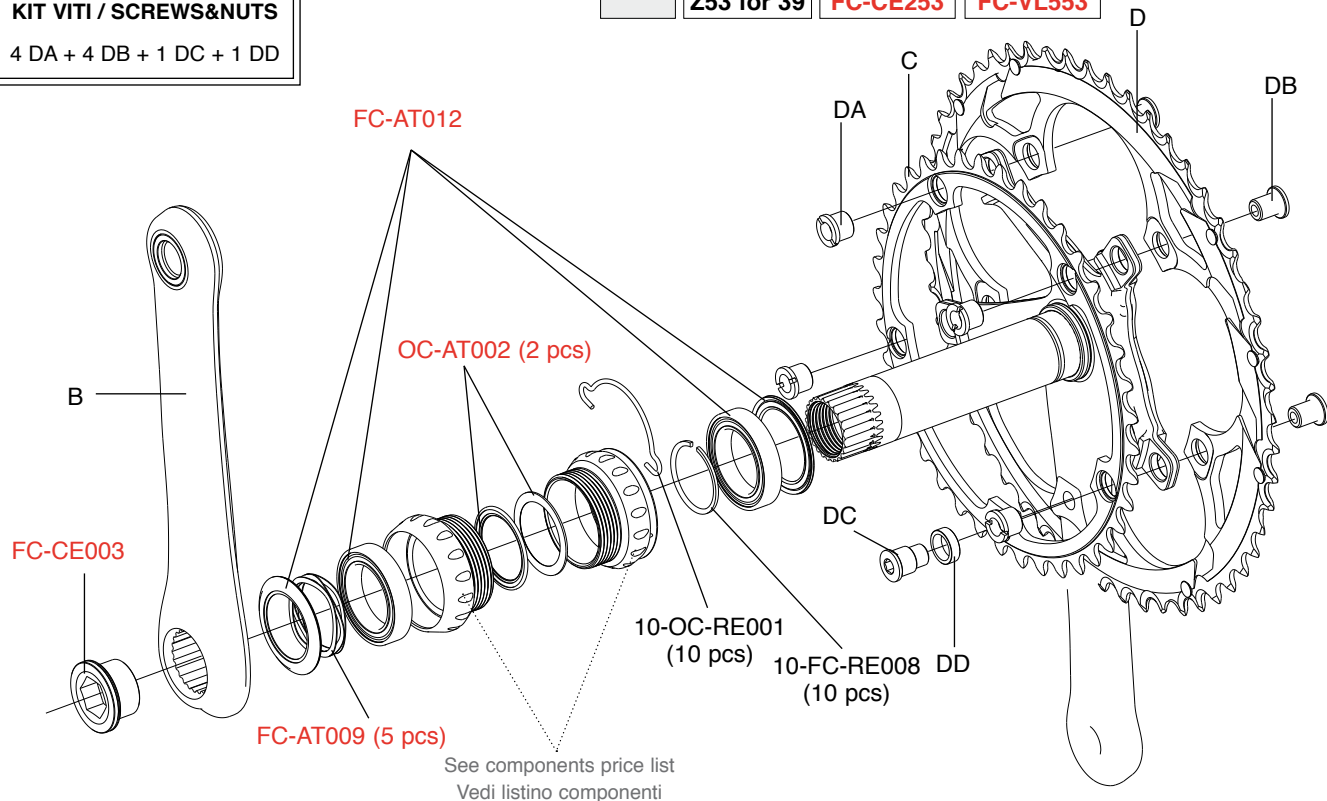
See components price list
 Vedi listino componenti

VELOCE™ POWER-TORQUE™
10s
FC11-VL...

FC-AT300
KIT VITI / SCREWS&NUTS
 4 DA + 4 DB + 1 DC + 1 DD

	BLACK	SILVER
--	-------	--------

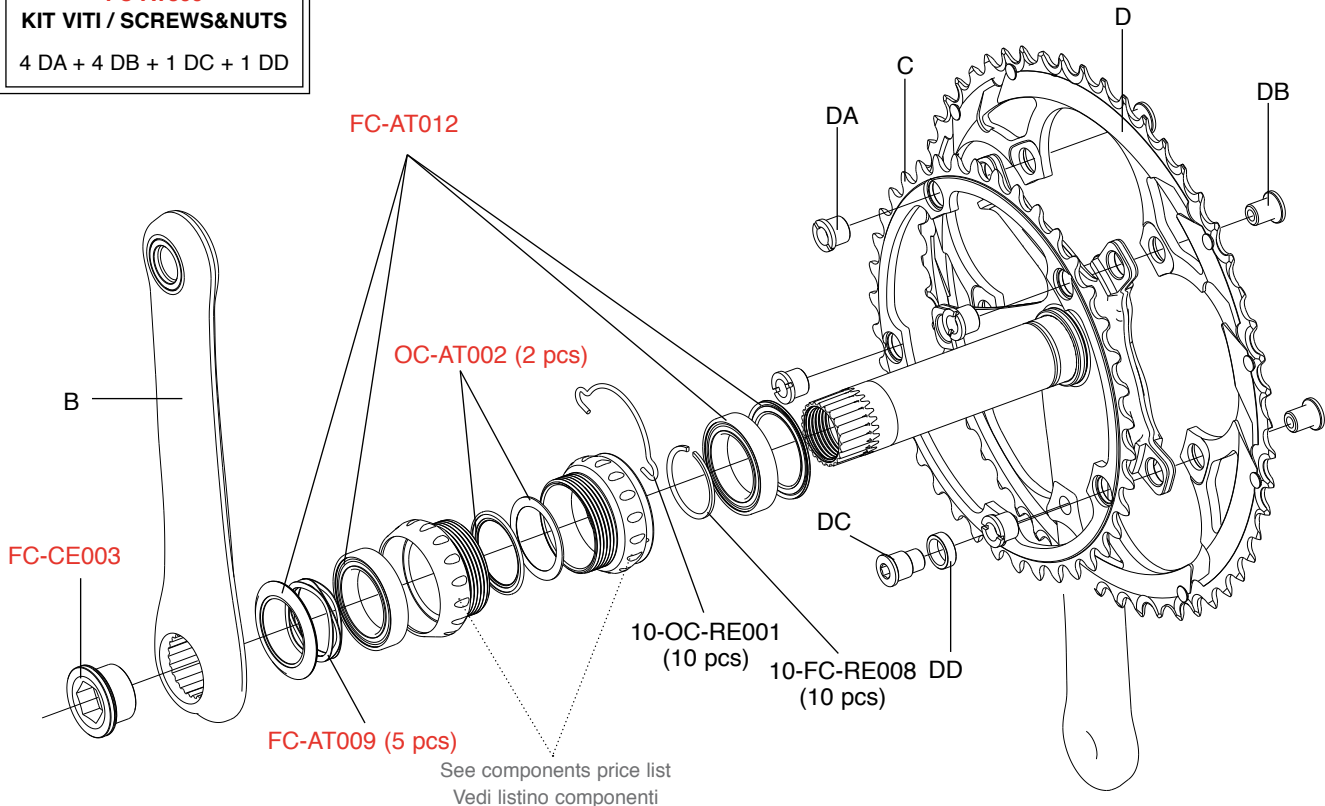
B	170 mm	FC-VL571	FC-VL945
	172,5 mm	FC-VL573	FC-VL947
	175 mm	FC-VL575	FC-VL949
C	Z39	FC-VL339	FC-VL439
D	Z52 for 39	FC-CE252	FC-VL652
	Z53 for 39	FC-CE253	FC-VL553



VELOCE™ POWER-TORQUE™
CT™ 10s
FC11-VL...

FC-AT300
KIT VITI / SCREWS&NUTS
 4 DA + 4 DB + 1 DC + 1 DD

		BLACK	SILVER
B	170 mm	FC-VL571	FC-VL945
	172,5 mm	FC-VL573	FC-VL947
	175 mm	FC-VL575	FC-VL949
C	Z34	FC-VL434	FC-VL534
D	Z50 for 34	FC-CE450	FC-VL450



CX™ POWER-TORQUE™

11s

FC11-CX1...

FC-AT300

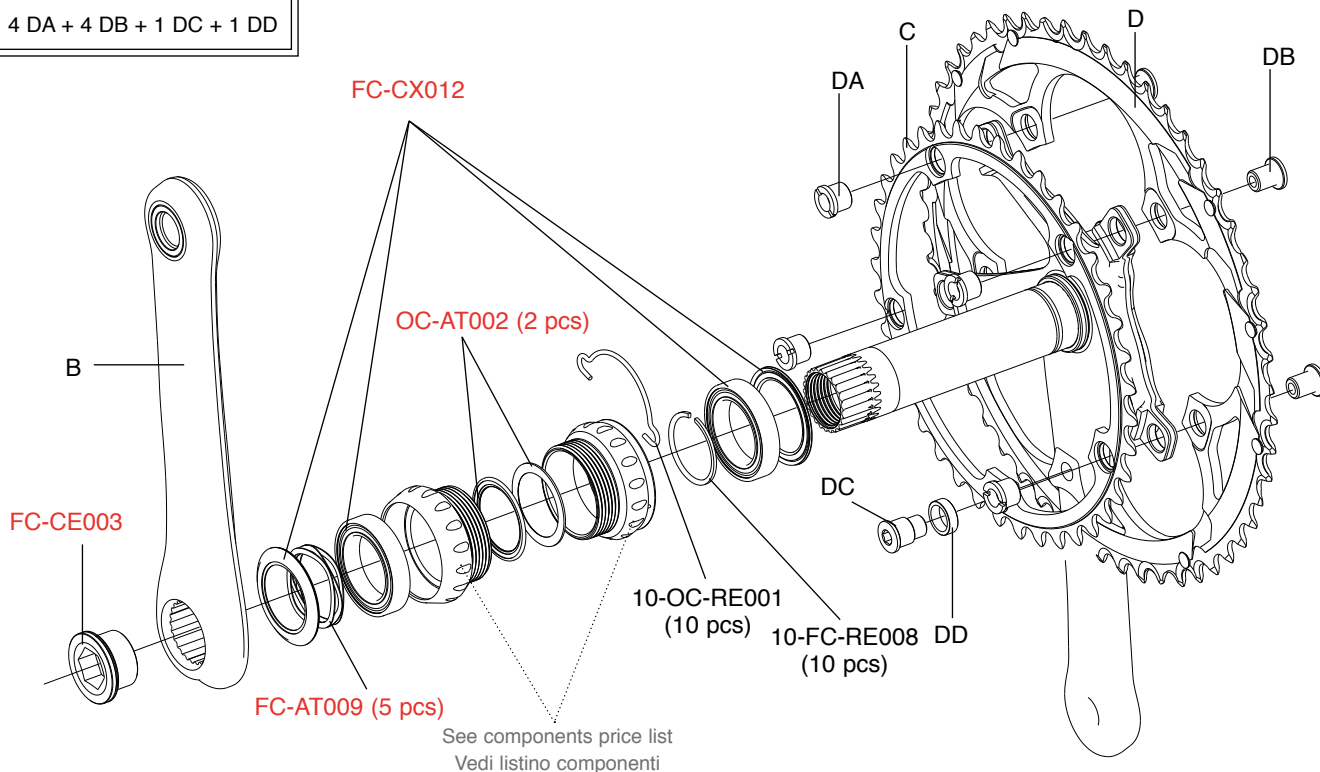
KIT VITI / SCREWS&NUTS

4 DA + 4 DB + 1 DC + 1 DD

CARBON

ALUMINIUM

B	170 mm	FC-CX787	FC-CX636
	172,5 mm	FC-CX789	FC-CX637
	175 mm	FC-CX791	FC-CX638
C	Z34	FC-CX134	FC-CX234
	Z36	FC-CX236	FC-CX336
D	Z46 for 36	FC-CX246	FC-CX346
	Z50 for 34	FC-CX250	FC-CX350



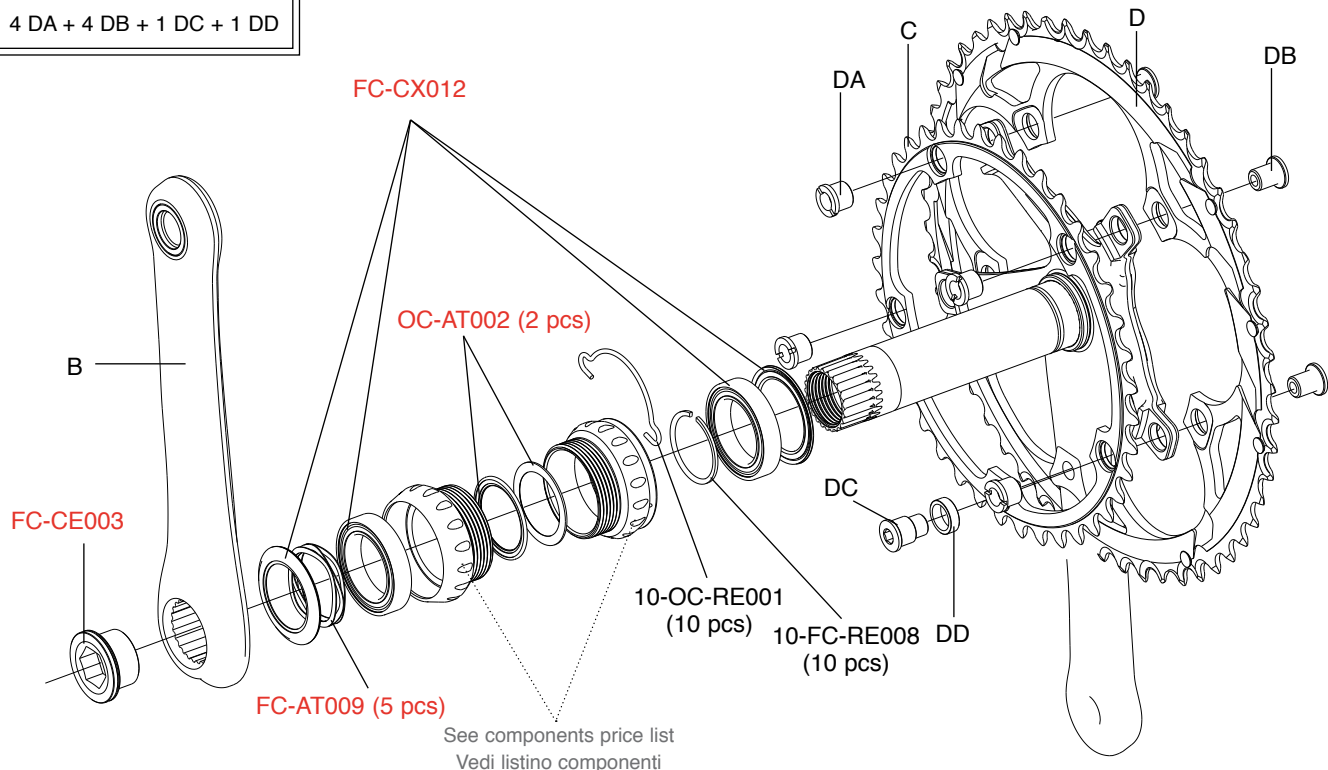
CRANKSET

CX™ POWER-TORQUE™
10s
FC11-CXX...

FC-AT300
KIT VITI / SCREWS&NUTS
 4 DA + 4 DB + 1 DC + 1 DD

	CARBON	ALUMINIUM
--	--------	-----------

B	170 mm	FC-CX799	FC-CX656
	172,5 mm	FC-CX801	FC-CX657
	175 mm	FC-CX803	FC-CX658
C	Z34	FC-CE334	FC-CX034
	Z36	FC-CX136	FC-CX036
D	Z46 for 36	FC-CX146	FC-CX046
	Z50 for 34	FC-CX150	FC-CX050

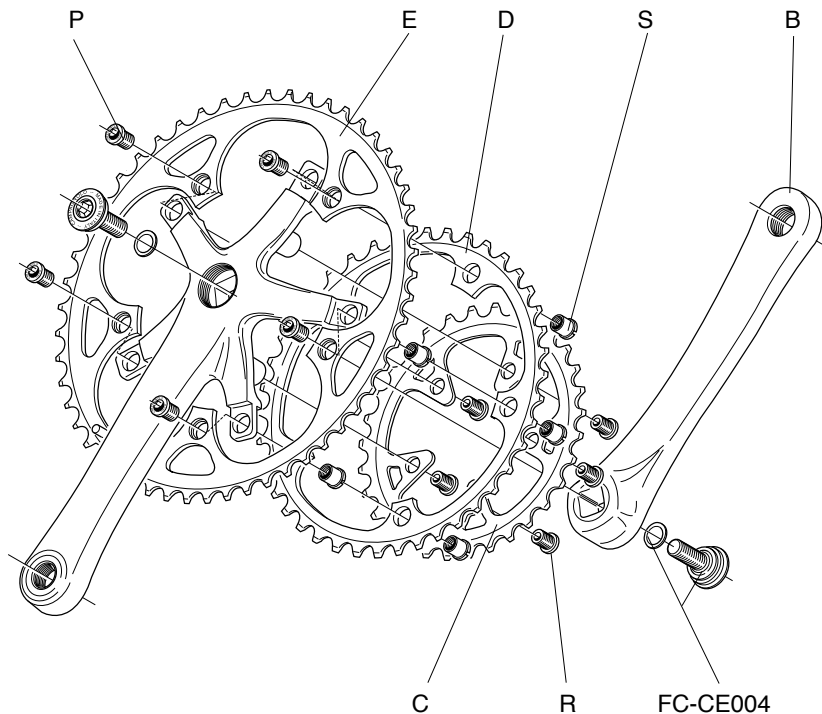


COMP TRIPLE™ 10s
FC7-CO....

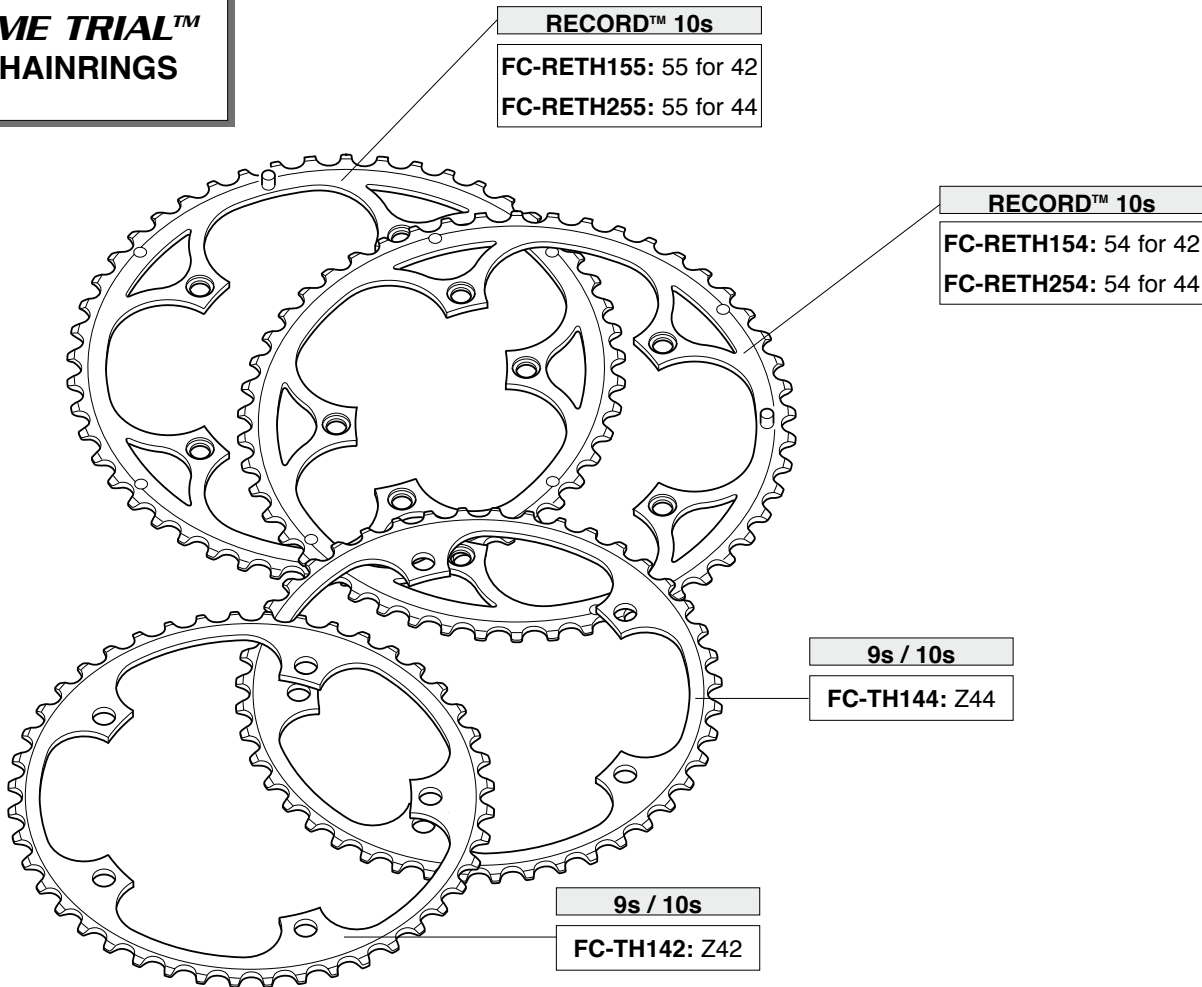
FC-CO100
KIT VITI / SCREWS&NUTS

5 P + 5 R + 5 S

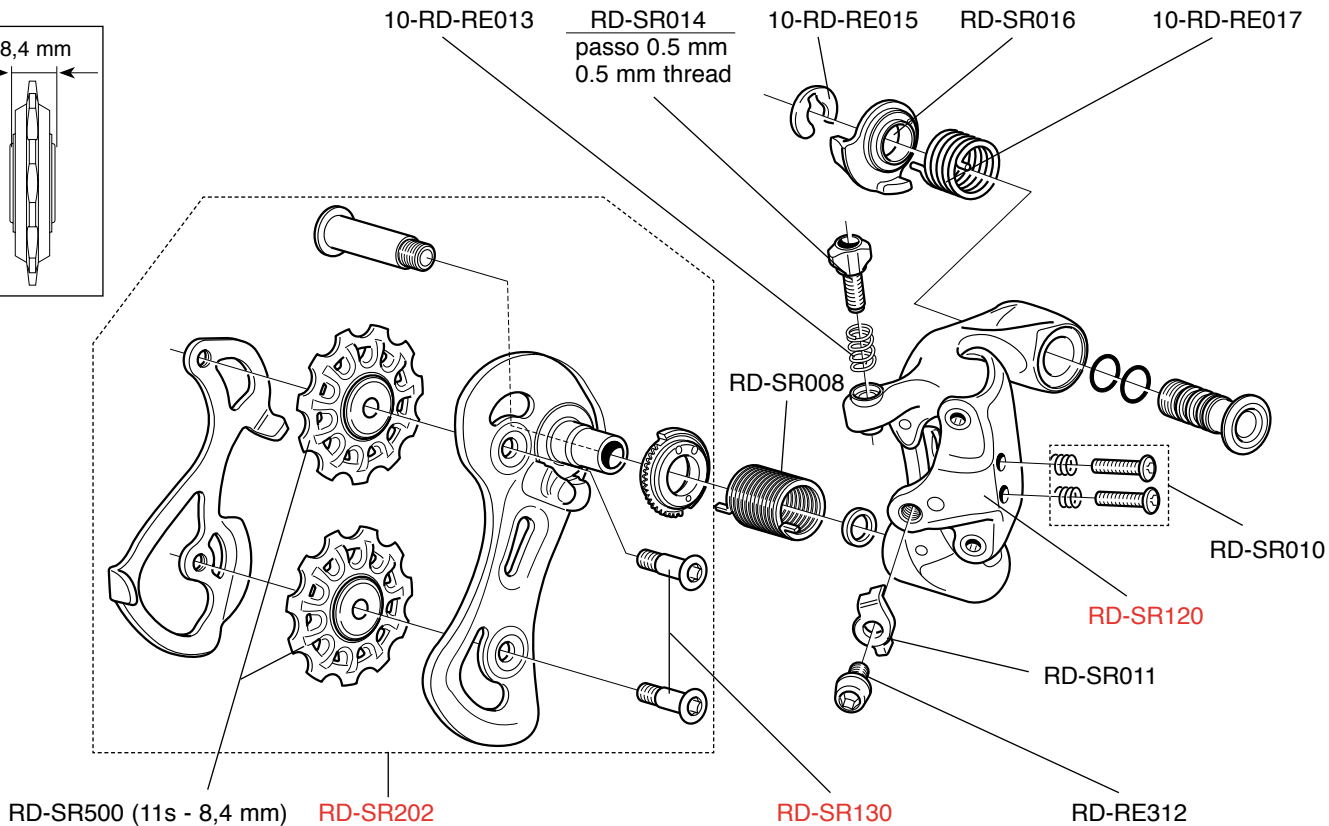
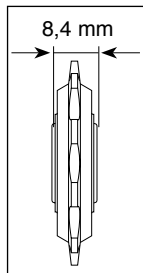
B	170 mm	FC-CO313
	175 mm	FC-CO315
C	Z30	FC-RE030
D	Z40 for 30	FC-CE040
	Z42 for 30	FC-CE042
E	Z50 for 40	FC-CE050
	Z53 for 42	FC-CE053



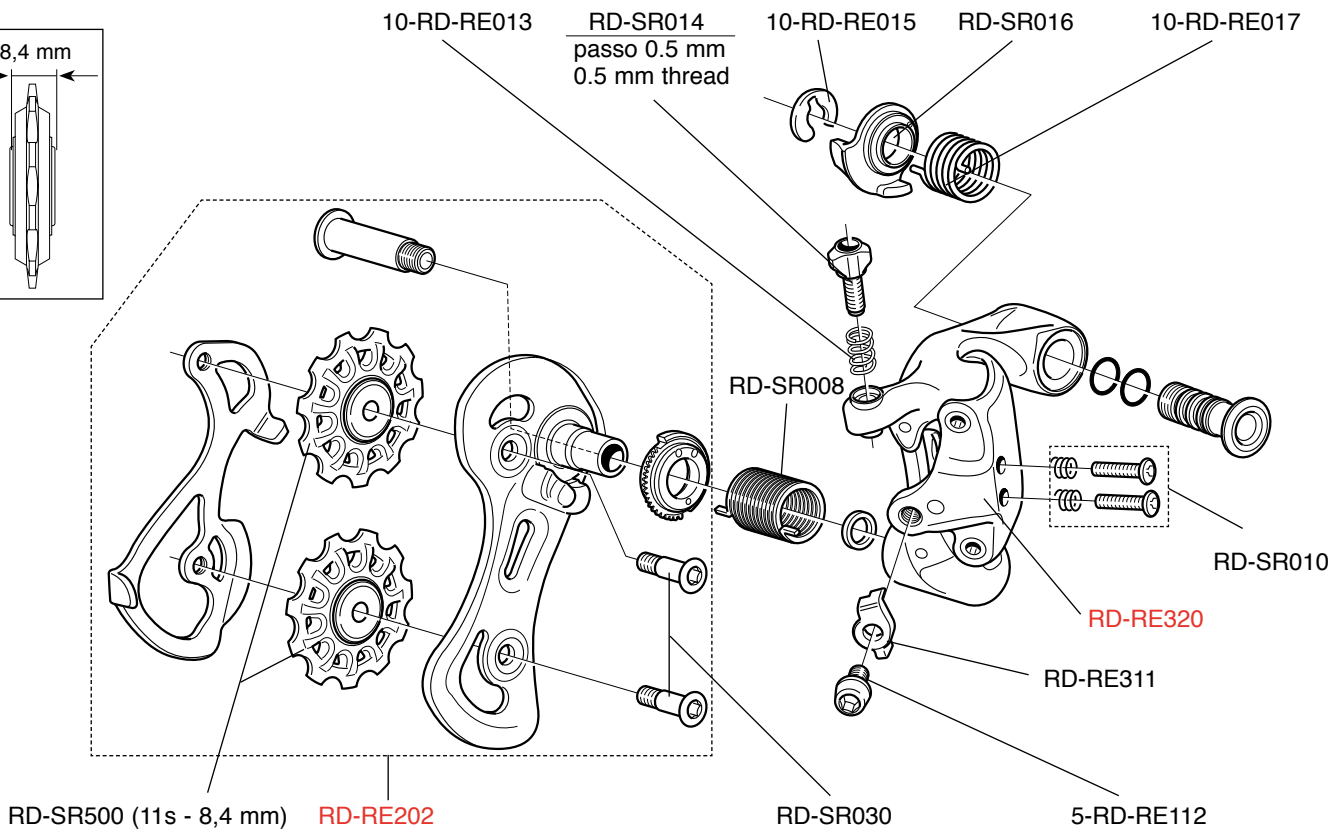
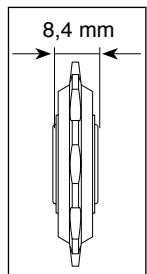
**TIME TRIAL™
CHAINRINGS**



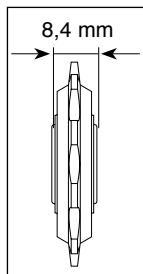
**SUPER
RECORD™ 11s
RD11-SR1**



RECORD™ 11s RD11-RE1

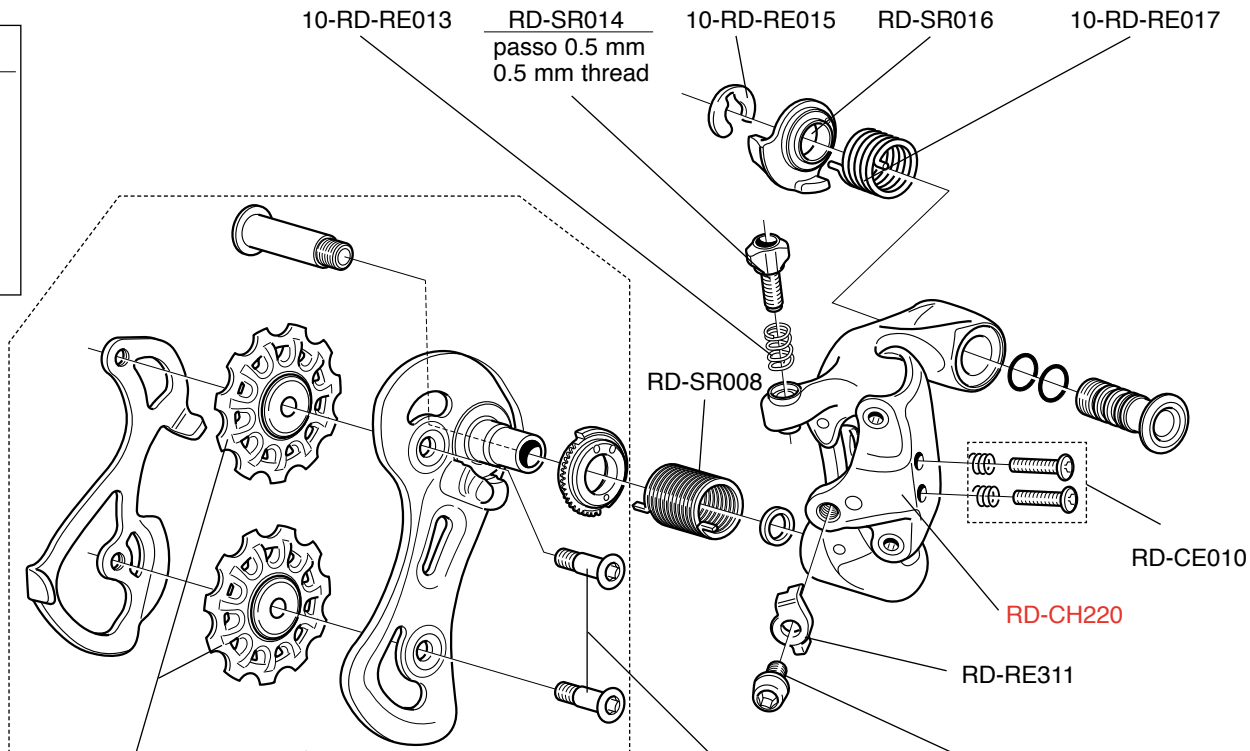


CHORUS™ 11s
RD11-CH1

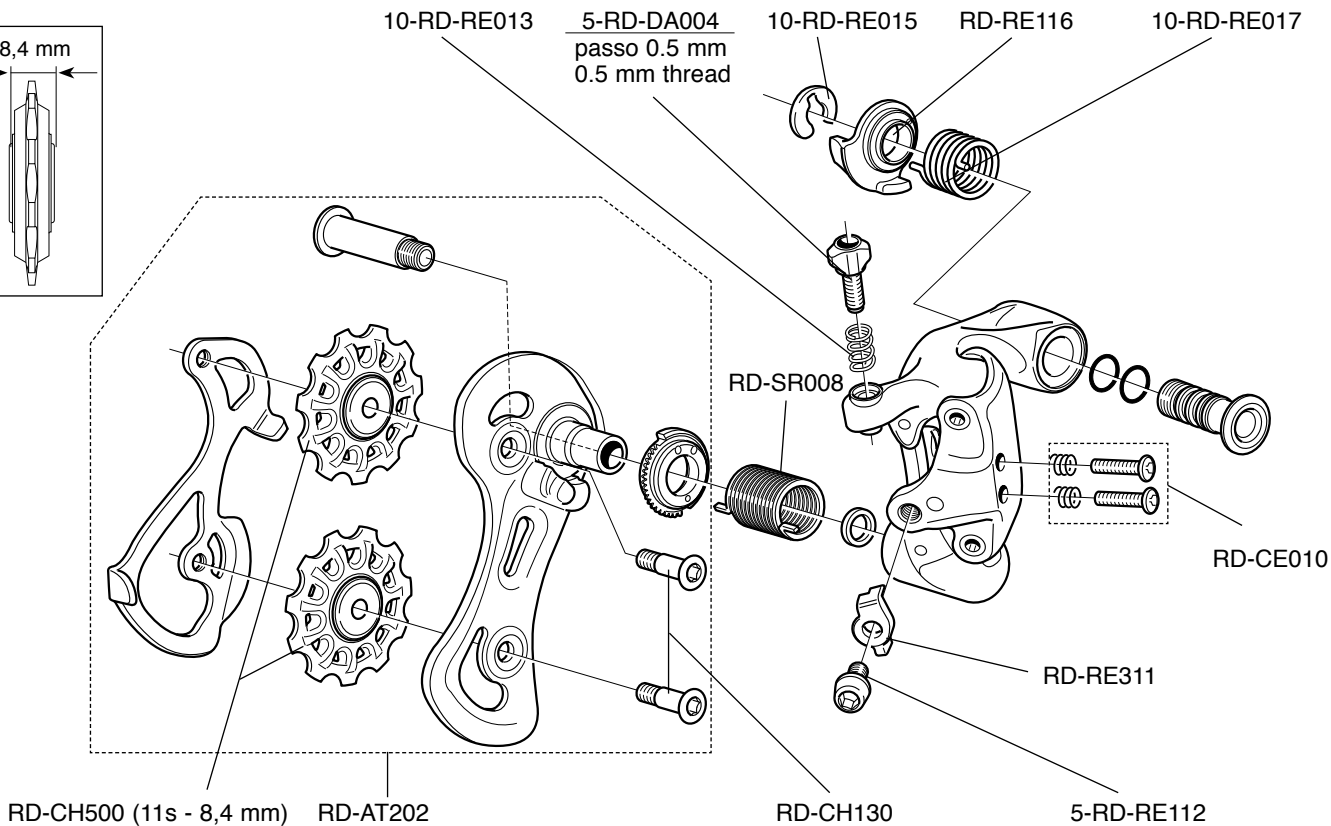
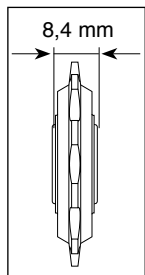


10-RD-RE013 RD-SR014 10-RD-RE015 RD-SR016 10-RD-RE017

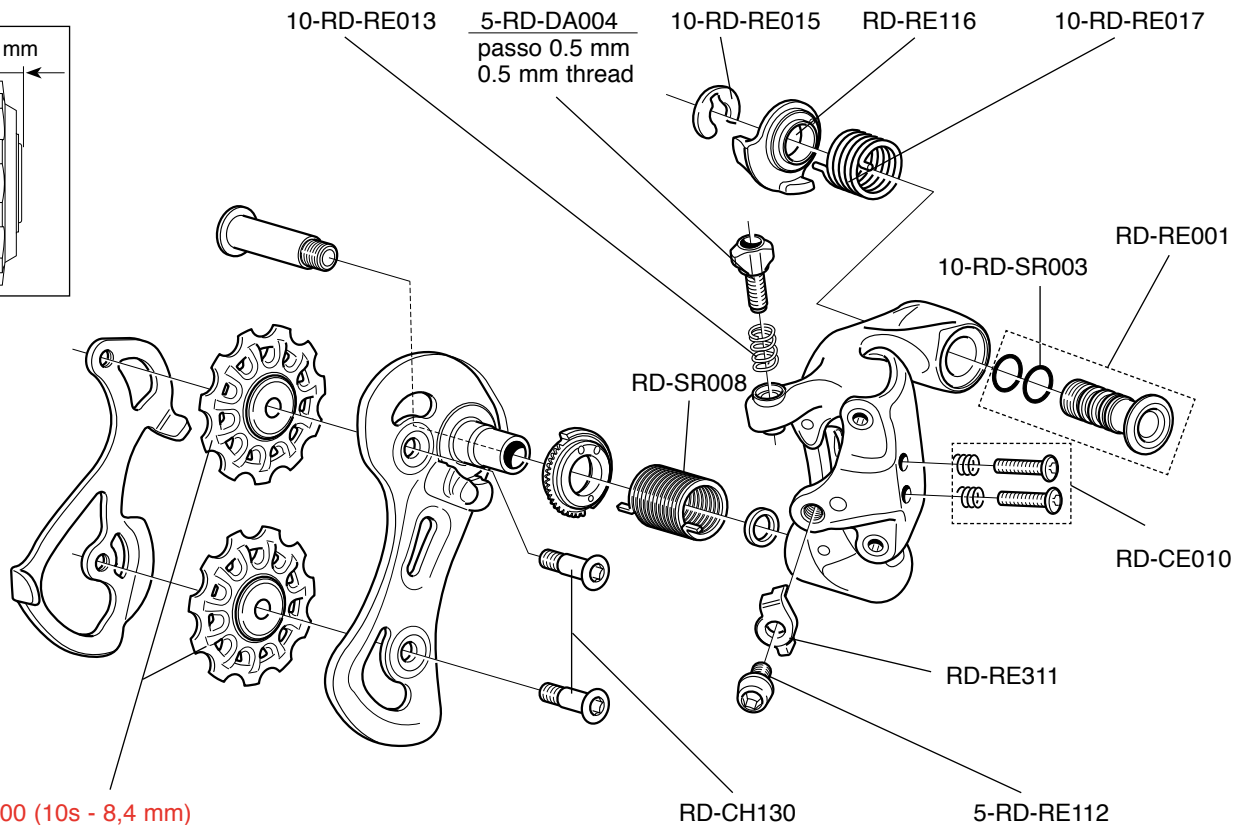
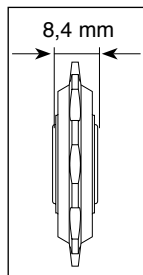
passo 0.5 mm
 0.5 mm thread



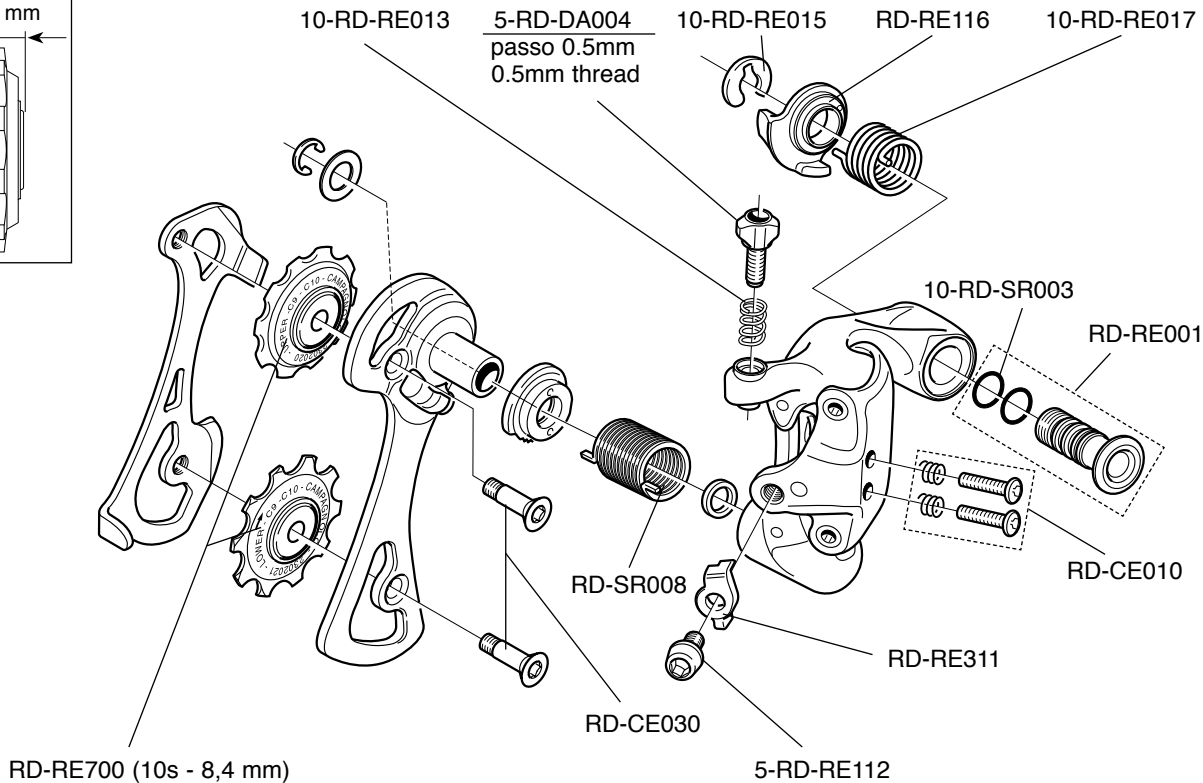
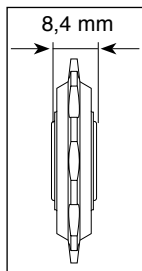
ATHENA[™] 11s
RD11-AT1



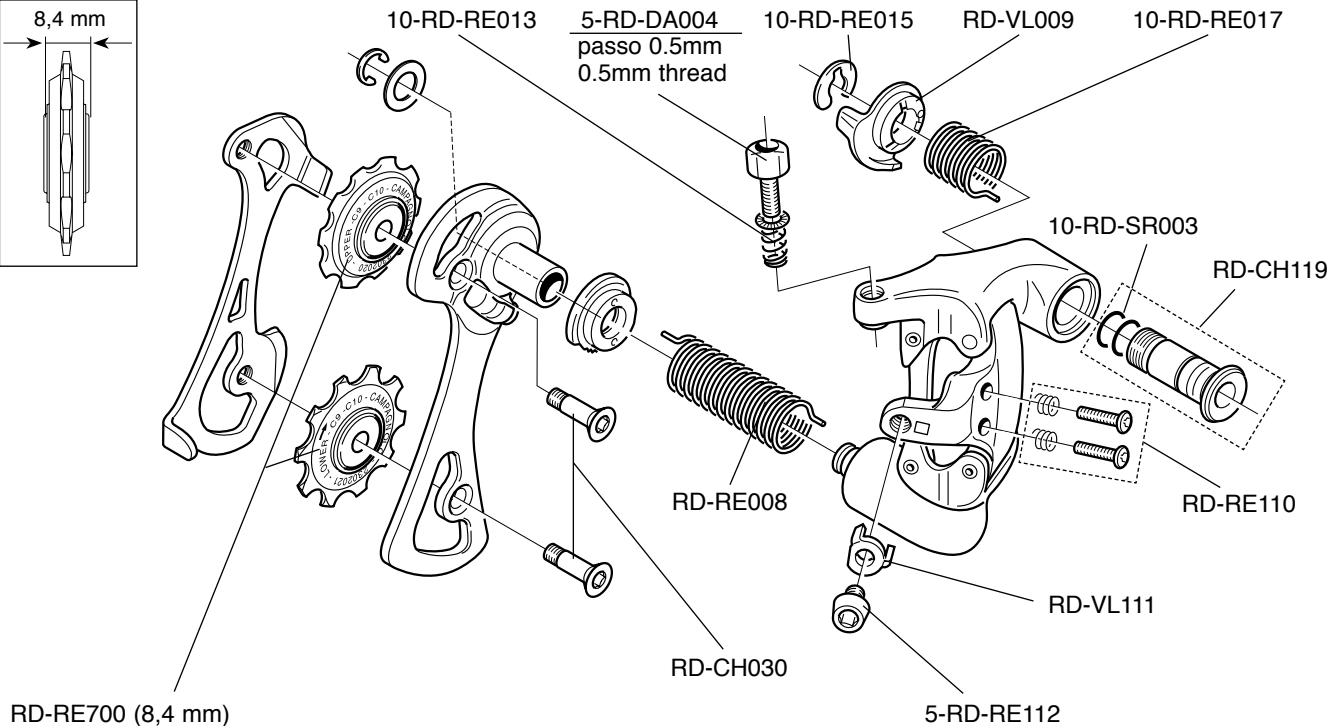
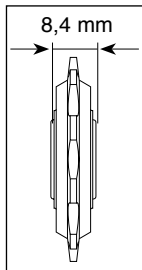
CENTAUR™ 10s
RD11-CEX



VELOCE™ 10s
RD11-VLXS
RD11-VLXM



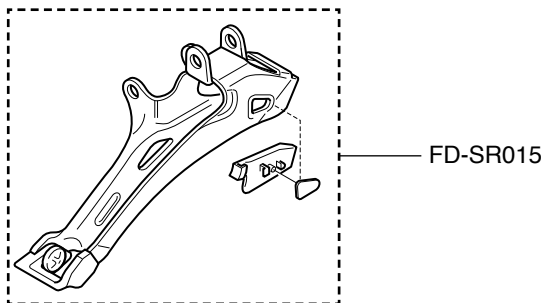
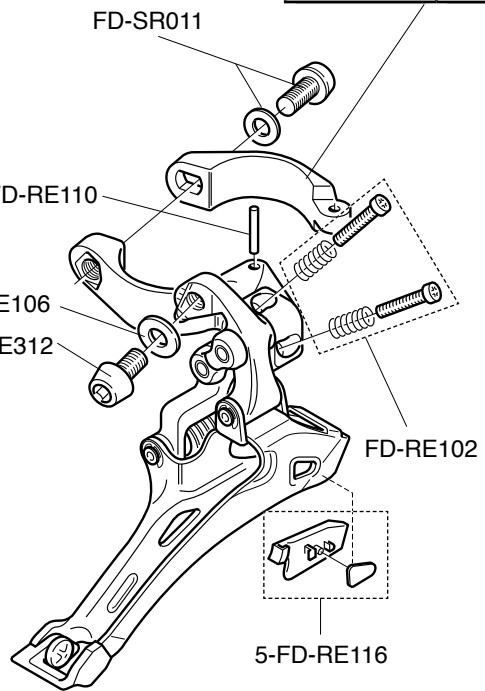
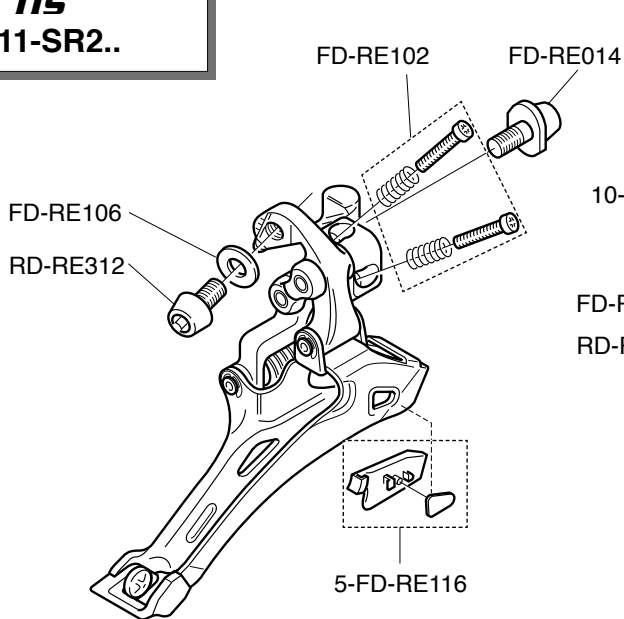
COMP TRIPLE™
10s
RD7-COXL



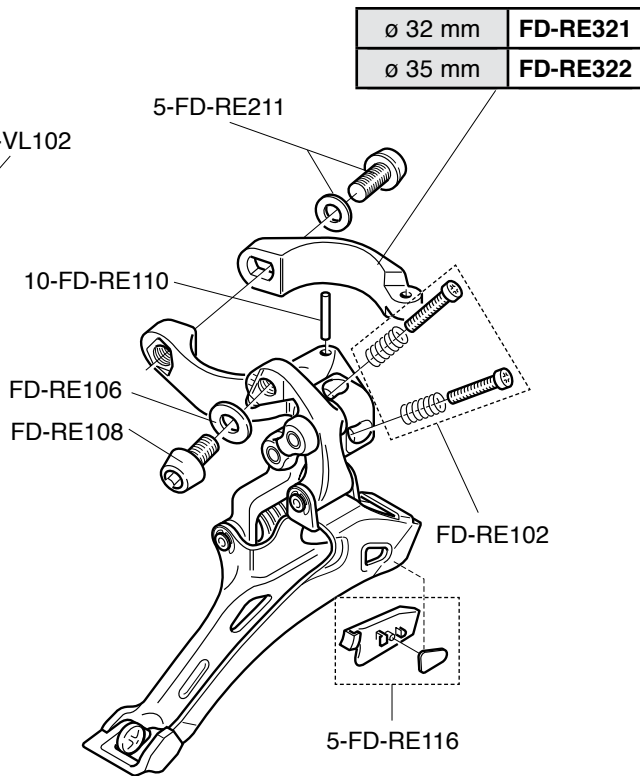
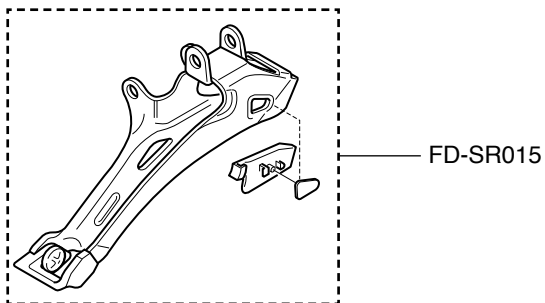
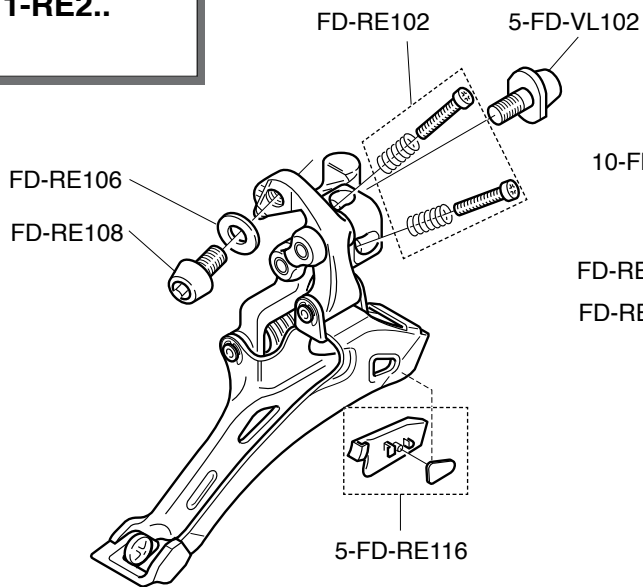
SUPER RECORD™

11s
FD11-SR2..

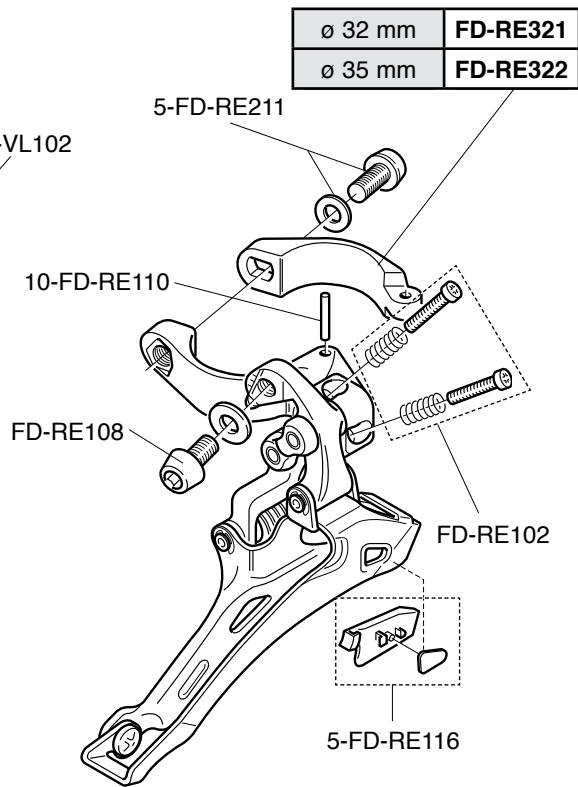
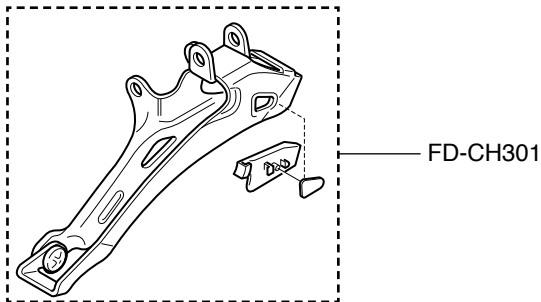
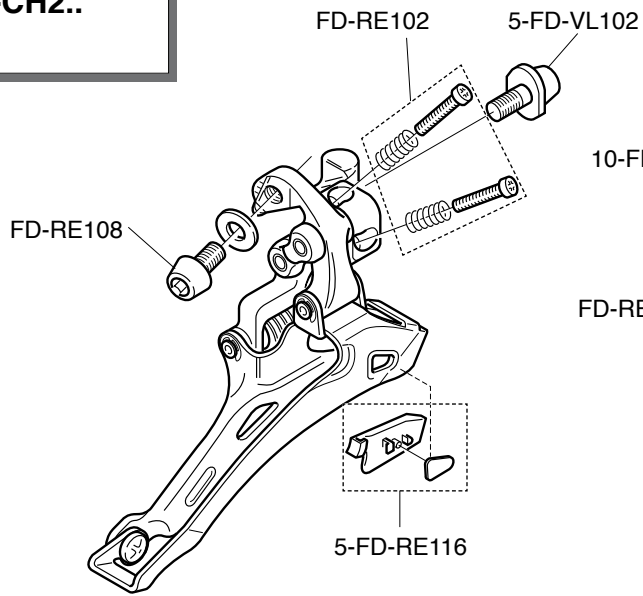
ø 32 mm	FD-SR021
ø 35 mm	FD-SR022



RECORD™ 11s
FD11-RE2..

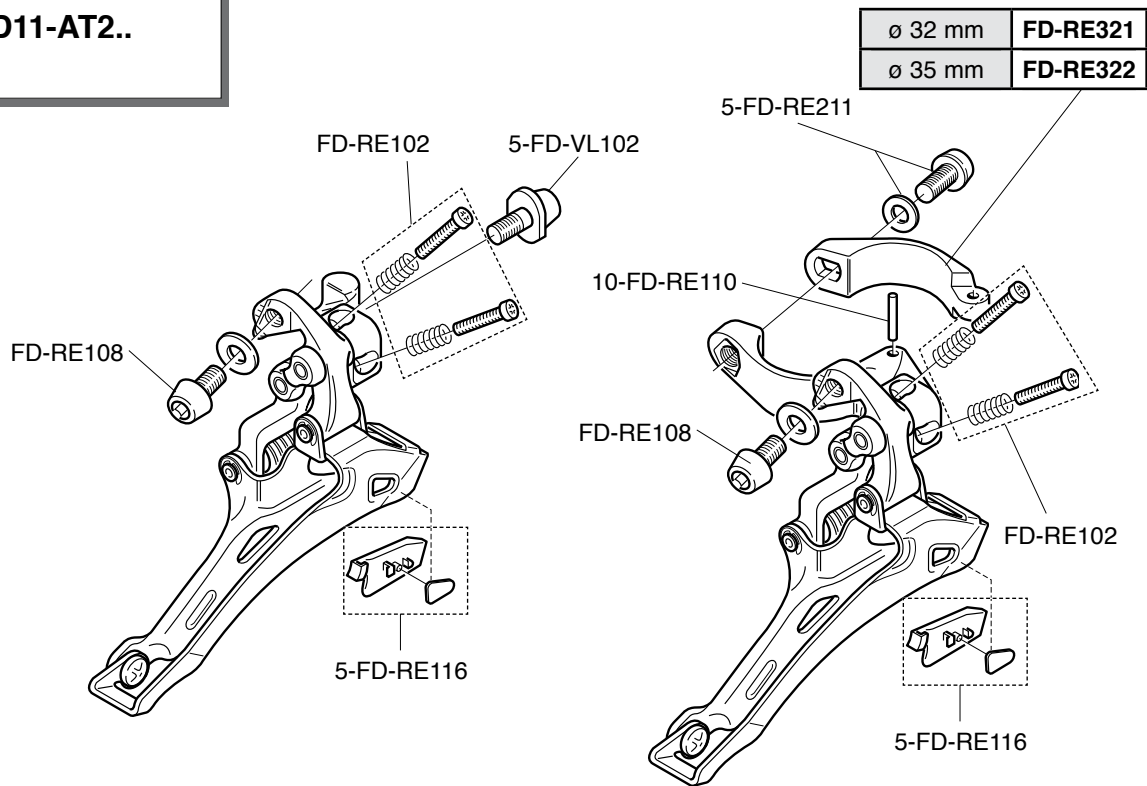


CHORUS™ 11s
FD11-CH2..

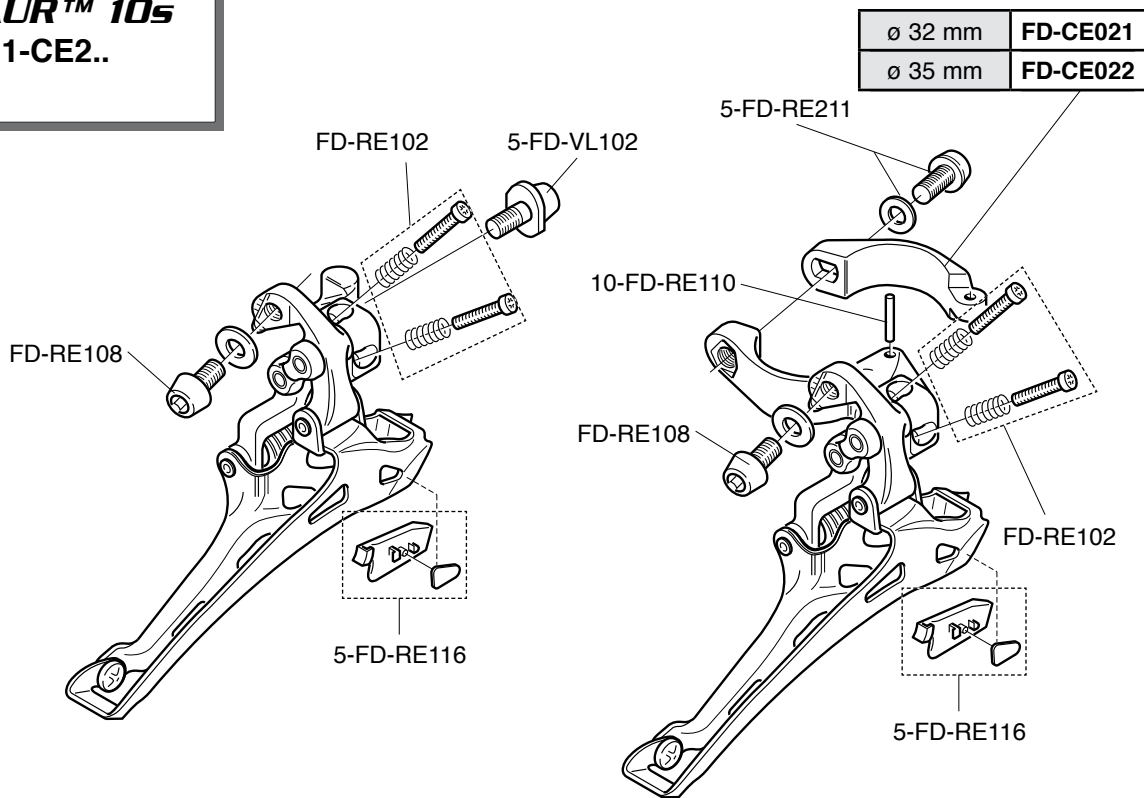


ø 32 mm	FD-RE321
ø 35 mm	FD-RE322

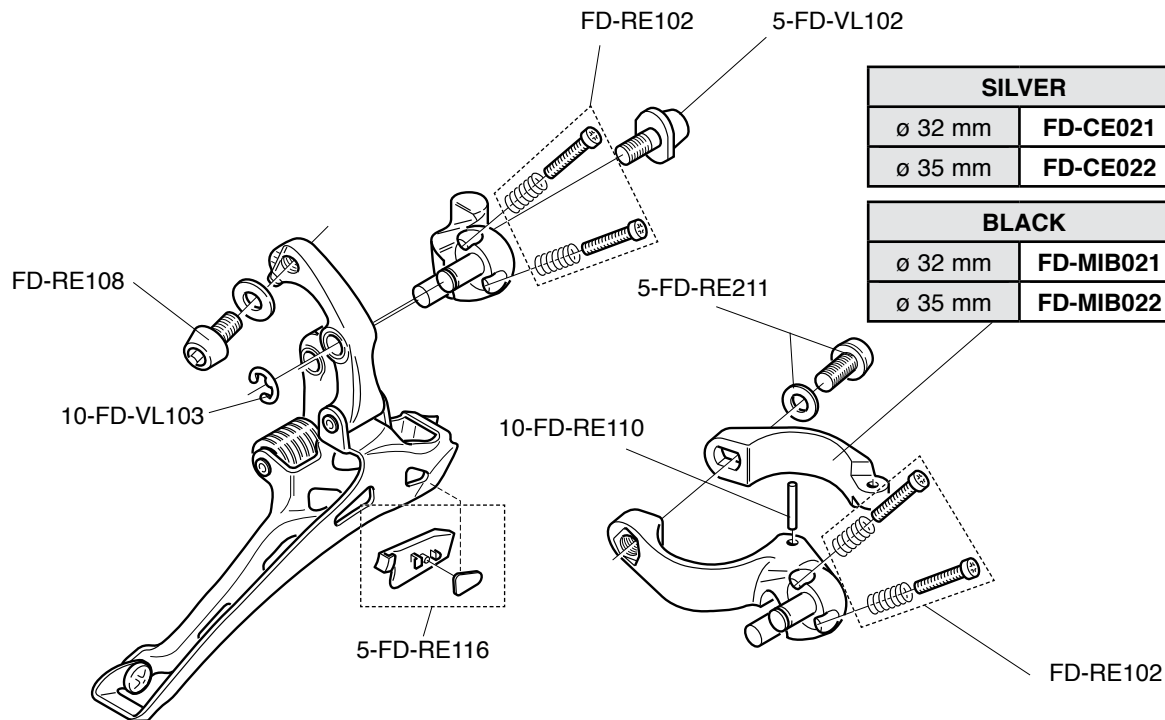
ATHENA™ 11s
FD11-AT2..



CENTAUR™ 10s FD11-CE2..



VELOCE™ 10s
FD11-VL2..

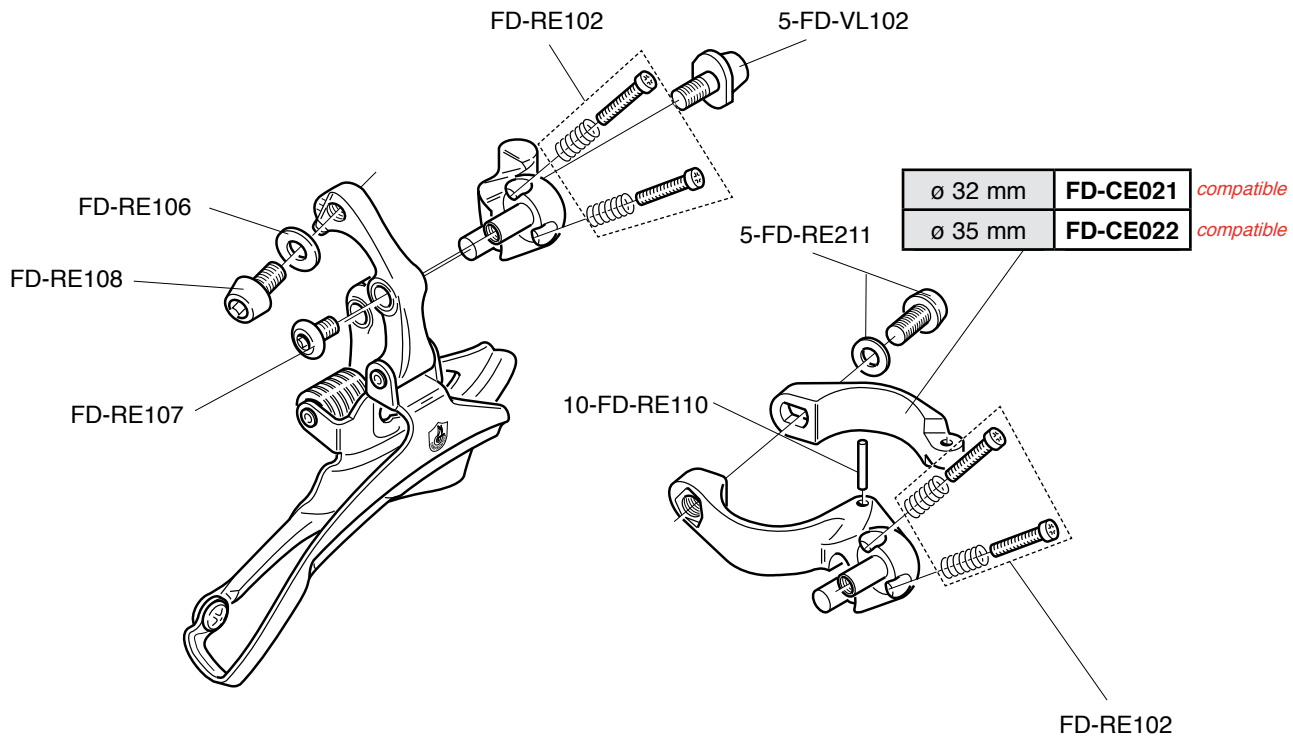


SILVER	
ø 32 mm	FD-CE021
ø 35 mm	FD-CE022

BLACK	
ø 32 mm	FD-MIB021
ø 35 mm	FD-MIB022

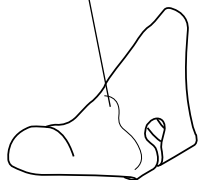
compatible
compatible

COMP TRIPLE™
10s
FD7-CO3..



**SUPER RECORD™
ULTRA-SHIFT™ 115
EP11-SR1C**

BLACK	WHITE	RED
EC-SR500 (R+L)	EC-SR500W (R+L)	EC-SR500R (R+L)



EC-SR103 (2 pcs)

(only left)
R: EC-SR060
L: EC-SR061

(only left)
EC-SR007

R: EC-SR004
L: EC-SR005

R: EC-SR100
L: EC-SR101

(insert for big hands)
EC-SR040 (R+L)

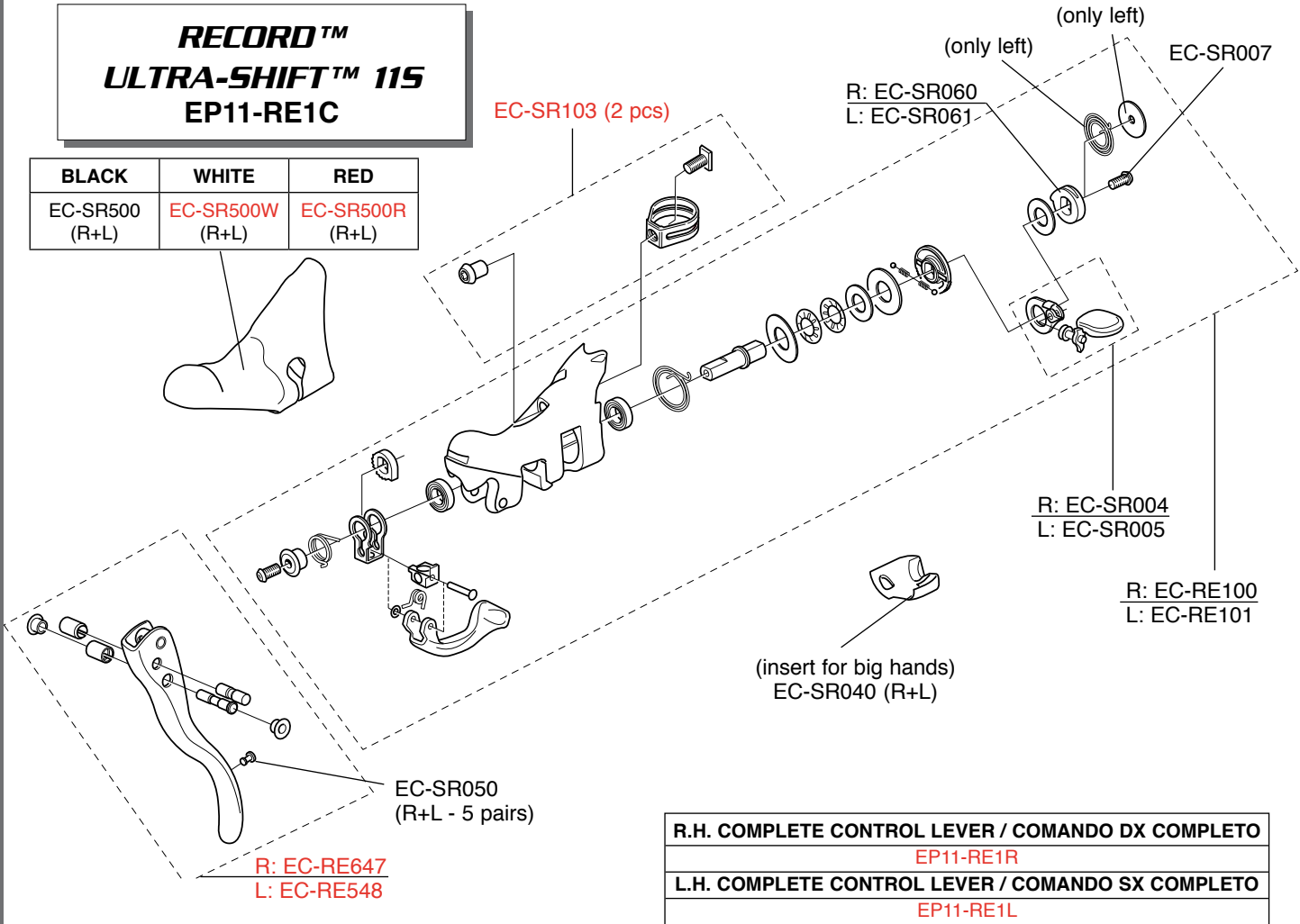
EC-SR050
(R+L - 5 pairs)

R: EC-SR147
L: EC-SR148

R.H. COMPLETE CONTROL LEVER / COMANDO DX COMPLETO
EP11-SR1R
L.H. COMPLETE CONTROL LEVER / COMANDO SX COMPLETO
EP11-SR1L

**RECORD™
ULTRA-SHIFT™ 115
EP11-RE1C**

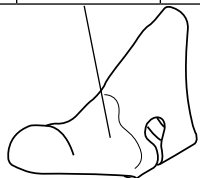
BLACK	WHITE	RED
EC-SR500 (R+L)	EC-SR500W (R+L)	EC-SR500R (R+L)



R.H. COMPLETE CONTROL LEVER / COMANDO DX COMPLETO
EP11-RE1R
L.H. COMPLETE CONTROL LEVER / COMANDO SX COMPLETO
EP11-RE1L

**CHORUS™
ULTRA-SHIFT™ 115
EP11-CH1C**

BLACK	WHITE	RED
EC-SR500 (R+L)	EC-SR500W (R+L)	EC-SR500R (R+L)



EC-SR103 (2 pcs)

R: EC-SR060
L: EC-SR061

(only left)

(only left)

EC-SR007

R: EC-SR004
L: EC-SR005

R: EC-RE100
L: EC-RE101

(insert for big hands)
EC-SR040 (R+L)

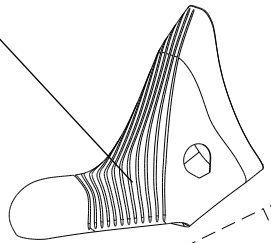
EC-SR050
(R+L - 5 pairs)

R: EC-CH747
L: EC-CH648

R.H. COMPLETE CONTROL LEVER / COMANDO DX COMPLETO
EP11-CH1R
L.H. COMPLETE CONTROL LEVER / COMANDO SX COMPLETO
EP11-CH1L

ATHENA™
POWER-SHIFT™ 115
EP11-AT1C - EP11-AT1CC

BLACK	WHITE	RED
EC-AT500B (R+L)	EC-AT500W (R+L)	EC-AT500R (R+L)



EC-SR050
(R+L - 5 pairs)

R: EC-AT547 (C) - EC-AT647 (A)
 L: EC-AT548 (C) - EC-AT648 (A)

EC-SR103 (2 pcs)

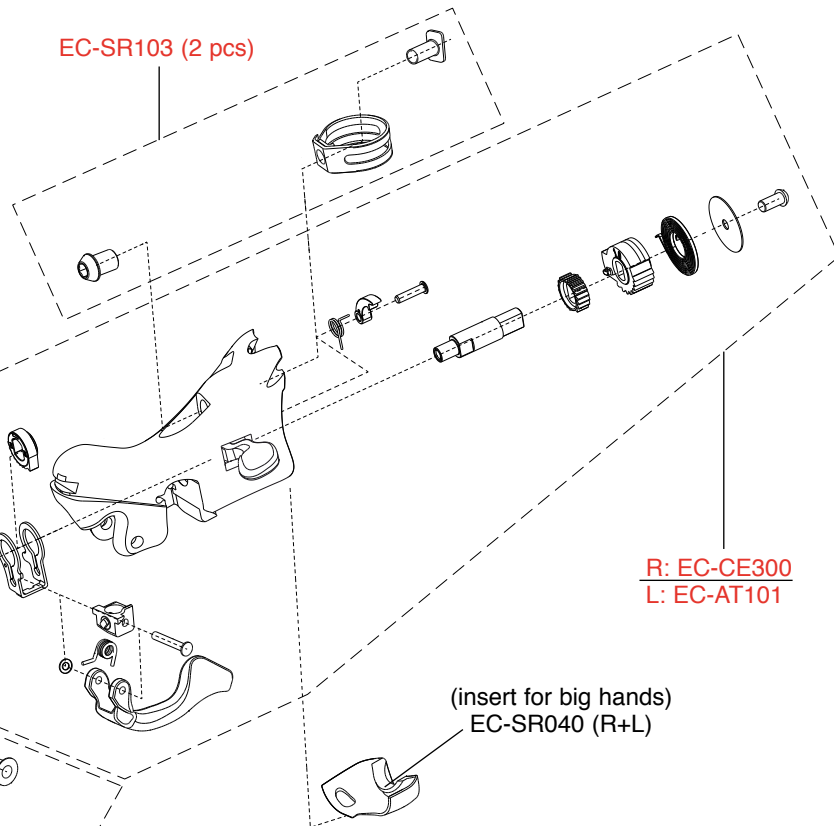
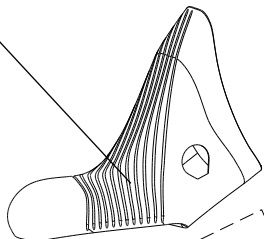
R: EC-AT100 (C) - EC-AT200 (A)
 L: EC-AT101 (C) - EC-AT201 (A)

(insert for big hands)
 EC-SR040 (R+L)

R.H. COMPLETE CONTROL LEVER / COMANDO DX COMPLETO
EP11-AT1R (Aluminium) - EP11-AT1CR (Carbon)
L.H. COMPLETE CONTROL LEVER / COMANDO SX COMPLETO
EP11-AT1L (Aluminium) - EP11-AT1CL (Carbon)

CENTAUR™
POWER-SHIFT™ 10s
EP11-CEXC - EP11-CEXCC

BLACK	WHITE	RED
EC-AT500B (R+L)	EC-AT500W (R+L)	EC-AT500R (R+L)



EC-SR103 (2 pcs)

R: EC-CE300
 L: EC-AT101

(insert for big hands)
 EC-SR040 (R+L)

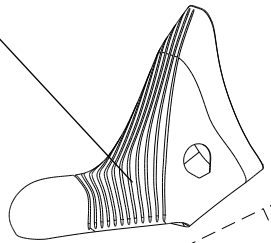
EC-SR050
 (R+L - 5 pairs)

R: EC-CE647 (C) - EC-CE747 (A)
 L: EC-CE648 (C) - EC-CE748 (A)

R.H. COMPLETE CONTROL LEVER / COMANDO DX COMPLETO
EP11-CEXR (A) - EP11-CEXCR (C)
L.H. COMPLETE CONTROL LEVER / COMANDO SX COMPLETO
EP11-CEXL (A) - EP11-CEXCL (C)

**VELOCE™
POWER-SHIFT™ 10s
EP11-VLBXC - EP11-VLSXC**

BLACK	WHITE	RED
EC-AT500B (R+L)	EC-AT500W (R+L)	EC-AT500R (R+L)



EC-SR050
(R+L - 5 pairs)

EC-SR103 (2 pcs)

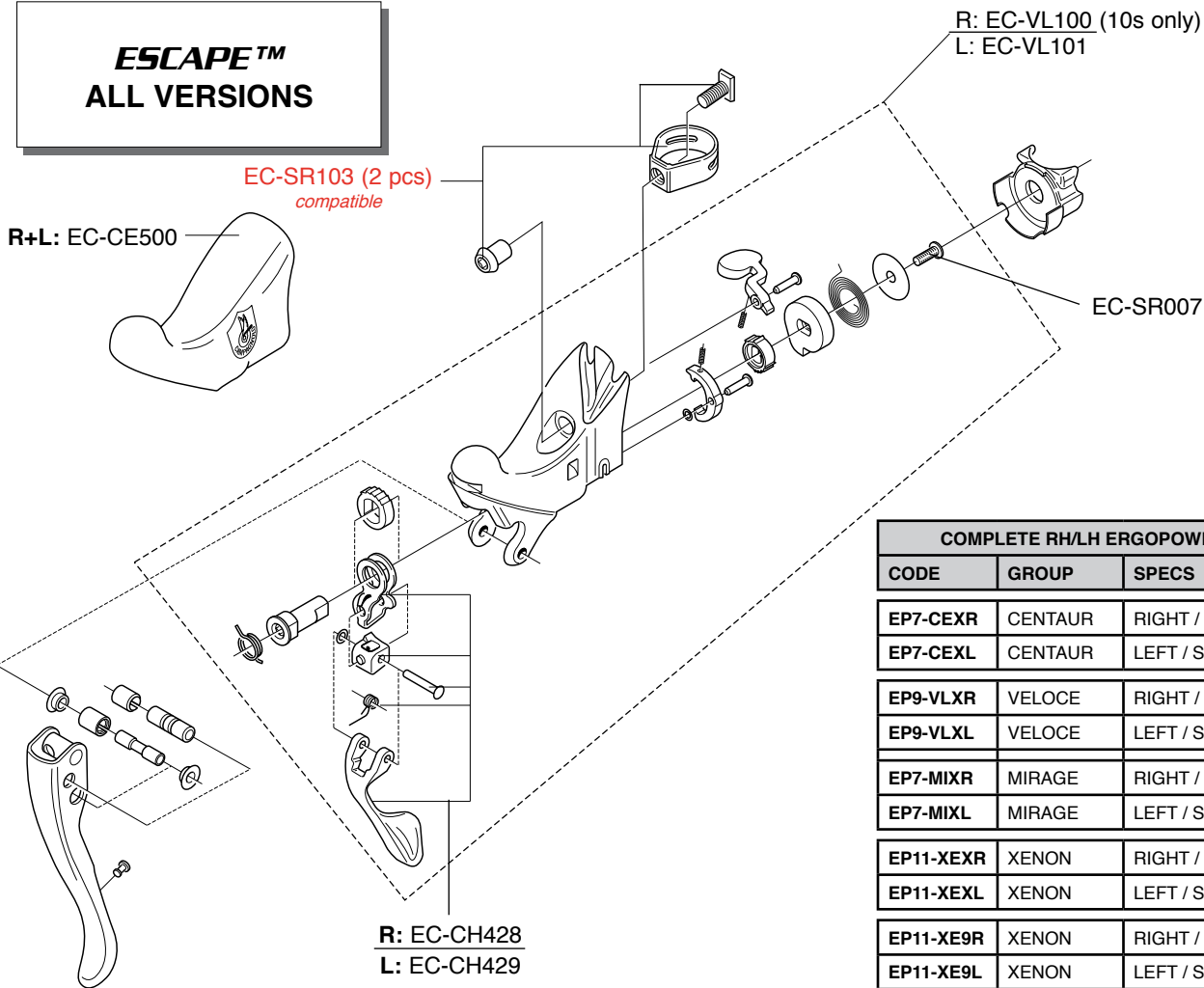
R: EC-CE300
L: EC-AT101

(insert for big hands)
EC-SR040 (R+L)

R: EC-VL047B (B) - EC-VL047S (S)
L: EC-VL048B (B) - EC-VL048S (S)

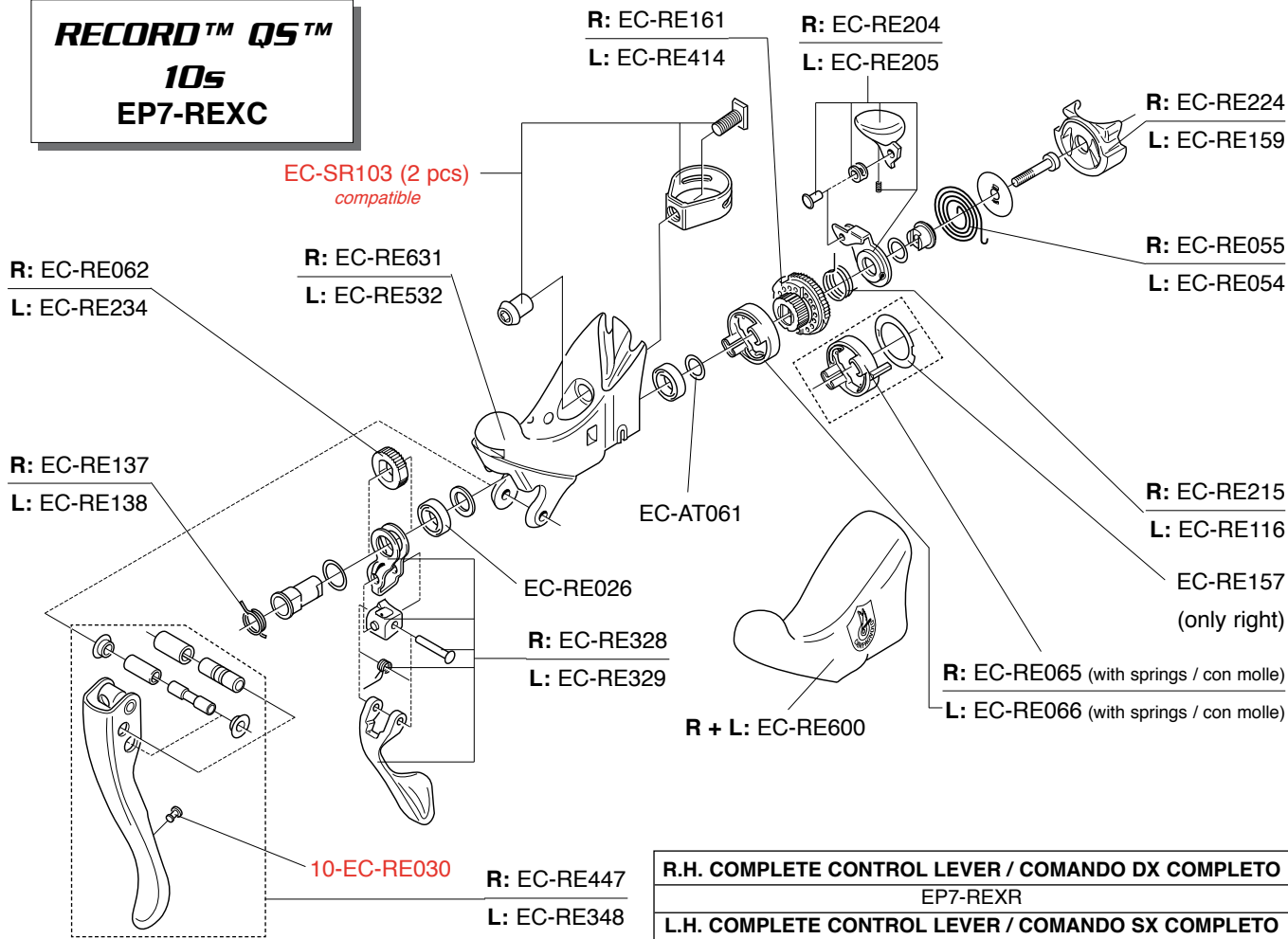
R.H. COMPLETE CONTROL LEVER / COMANDO DX COMPLETO
EP11-VLBXR (BLACK) - EP11-VLSXR (SILVER)
L.H. COMPLETE CONTROL LEVER / COMANDO SX COMPLETO
EP11-VLBXL (BLACK) - EP11-VLSXL (SILVER)

ESCAPE™ ALL VERSIONS



COMPLETE RH/LH ERGOPOWER		
CODE	GROUP	SPECS
EP7-CEXR	CENTAUR	RIGHT / DX 10S
EP7-CEXL	CENTAUR	LEFT / SX
EP9-VLXR	VELOCE	RIGHT / DX 10S
EP9-VLXL	VELOCE	LEFT / SX
EP7-MIXR	MIRAGE	RIGHT / DX 10S
EP7-MIXL	MIRAGE	LEFT / SX
EP11-XEXR	XENON	RIGHT / DX 10S
EP11-XEXL	XENON	LEFT / SX
EP11-XE9R	XENON	RIGHT / DX 9S
EP11-XE9L	XENON	LEFT / SX

RECORD™ QS™
10s
EP7-REXC



R.H. COMPLETE CONTROL LEVER / COMANDO DX COMPLETO
EP7-REXR
L.H. COMPLETE CONTROL LEVER / COMANDO SX COMPLETO
EP7-REXL

CHORUS™ QS™
10s
EP7-CHXC

R: EC-RE062
 L: EC-RE234

R: EC-RE137
 L: EC-RE138

EC-SR103 (2 pcs)
compatible

compatible

R: EC-RE631

L: EC-RE532
compatible

R: EC-RE061
 L: EC-RE314

R: EC-RE204
 L: EC-RE205

R: EC-RE224
 L: EC-RE159

R: EC-RE055
 L: EC-RE054

R 4-EC-RE209 (4 pcs)
 50-EC-RE209 (50 pcs)
 L 4-EC-RE210 (4 pcs)
 50-EC-RE210 (50 pcs)

R: EC-RE215
 L: EC-RE116

EC-AT061

EC-RE026

R: EC-CH428

L: EC-CH429

EC-RE057
 (only right)

R: 5-EC-RE111 (5 pcs.)

L: 5-EC-RE112 (5 pcs.)

R + L: EC-RE600

10-EC-RE030

R: EC-CH547

L: EC-CH448

R.H. COMPLETE CONTROL LEVER / COMANDO DX COMPLETO
 EP7-CHXR

L.H. COMPLETE CONTROL LEVER / COMANDO SX COMPLETO
 EP7-CHXL

CROSS COMPATIBILITY BETWEEN ERGOPOWER™ CONTROL LEVERS, FRONT AND REAR DERAILLEURS
COMPATIBILITA' INCROCIATA TRA COMANDI ERGOPOWER™, DERAGLIATORI E CAMBI

		FRONT DERAILLEUR					REAR DERAILLEUR				
		2010		2011			2010		2011		
		SR-R-CH-ATH	CE-VE	SR-R-CH	ATH	CE-VE	SR-R-CH-ATH	CE-VE	SR-R-CH	ATH	CE-VE
2010	Ultra-Shift 11s	OK	NO	OK	OK	NO	OK	NO	OK	OK	NO
	Ultra-Shift 10s	NO	OK	NO	NO	OK	NO	OK	NO	NO	NO
2011	Ultra-Shift 11s	OK	NO	FULL PERFORMANCE	OK	NO	OK	NO	FULL PERFORMANCE	OK	NO
	Power-Shift 11s	OK	NO	OK	FULL PERFORMANCE	NO	OK	NO	OK	FULL PERFORMANCE	NO
	Power-Shift 10s	NO	OK	NO	NO	FULL PERFORMANCE	NO	NO	NO	NO	FULL PERFORMANCE